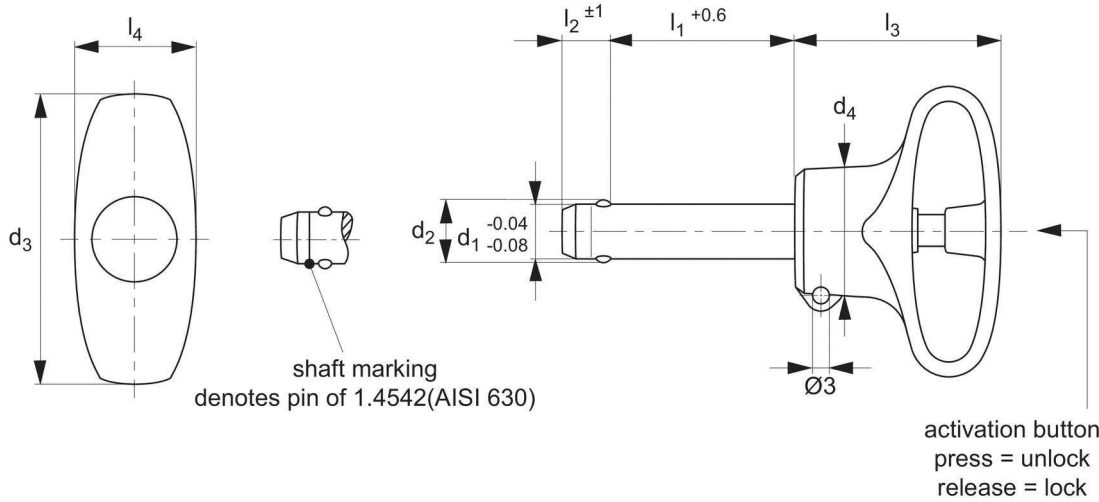


Handle

self-locking



33100



Order No.	Type	Order No.	Type	d ₁	l ₁	d ₂	d ₃	d ₄	l ₂	l ₃	l ₄	Location hole H11	Shearing resistance, double min. 1,4305 *	Shearing resistance, double min. 1,4542 *	g
One Stainless 1,4305	Two Stainless 1,4542														
33100.W0712	33100.W0912	5	10	5,5	36	12,7	6,0	31,0	15,9	5	14	24	9		
33100.W0713	33100.W0913	5	15	5,5	36	12,7	6,0	31,0	15,9	5	14	24	10		
33100.W0714	33100.W0914	5	20	5,5	36	12,7	6,0	31,0	15,9	5	14	24	11		
33100.W0715	33100.W0915	5	25	5,5	36	12,7	6,0	31,0	15,9	5	14	24	11		
33100.W0716	33100.W0916	5	30	5,5	36	12,7	6,0	31,0	15,9	5	14	24	12		
33100.W0722	33100.W0922	6	10	7,0	36	12,7	7,0	31,0	15,9	6	21	35	10		
33100.W0723	33100.W0923	6	15	7,0	35	12,7	7,0	31,0	15,9	6	21	35	11		
33100.W0724	33100.W0924	6	20	7,0	36	12,7	7,0	31,0	15,9	6	21	35	12		
33100.W0725	33100.W0925	6	25	7,0	36	12,7	7,0	31,0	15,9	6	21	35	13		
33100.W0726	33100.W0926	6	30	7,0	36	12,7	7,0	31,0	15,9	6	21	35	14		
33100.W0727	33100.W0927	6	35	7,0	36	12,7	7,0	31,0	15,9	6	21	35	15		
33100.W0728	33100.W0928	6	40	7,0	36	12,7	7,0	31,0	15,9	6	21	35	16		
33100.W0729	33100.W0929	6	45	7,0	36	12,7	7,0	31,0	15,9	6	21	35	18		
33100.W0730	33100.W0930	6	50	7,0	36	12,7	7,0	31,0	15,9	6	21	35	18		
33100.W0734	33100.W0934	8	20	9,6	41	16,4	8,2	34,8	19,2	8	38	63	23		
33100.W0735	33100.W0935	8	25	9,6	41	16,4	8,2	34,8	19,2	8	38	63	25		
33100.W0736	33100.W0936	8	30	9,6	41	16,4	8,2	34,8	19,2	8	38	63	26		
33100.W0737	33100.W0937	8	35	9,6	41	16,4	8,2	34,8	19,2	8	38	63	28		
33100.W0738	33100.W0938	8	40	9,6	41	16,4	8,2	34,8	19,2	8	38	63	30		
33100.W0739	33100.W0939	8	45	9,6	41	16,4	8,2	34,8	19,2	8	38	63	32		
33100.W0740	33100.W0940	8	50	9,6	41	16,4	8,2	34,8	19,2	8	38	63	34		
33100.W0744	33100.W0944	10	20	12,0	41	16,4	9,6	34,8	19,2	10	60	100	30		
33100.W0745	33100.W0945	10	25	12,0	41	16,4	9,6	34,8	19,2	10	60	100	32		
33100.W0746	33100.W0946	10	30	12,0	41	16,4	9,6	34,8	19,2	10	60	100	35		
33100.W0747	33100.W0947	10	35	12,0	41	16,4	9,6	34,8	19,2	10	60	100	38		
33100.W0748	33100.W0948	10	40	12,0	41	16,4	9,6	34,8	19,2	10	60	100	41		
33100.W0749	33100.W0949	10	45	12,0	41	16,4	9,6	34,8	19,2	10	60	100	44		
33100.W0750	33100.W0950	10	50	12,0	41	16,4	9,6	34,8	19,2	10	60	100	47		
33100.W0752	33100.W0952	10	60	12,0	41	16,4	9,6	34,8	19,2	10	60	100	53		
33100.W0765	33100.W0965	12	25	14,5	49	21,2	10,6	40,5	24,8	12	87	144	54		
33100.W0766	33100.W0966	12	30	14,5	49	21,2	10,6	40,5	24,8	12	87	144	59		
33100.W0767	33100.W0967	12	35	14,5	49	21,2	10,6	40,5	24,8	12	87	144	63		
33100.W0768	33100.W0968	12	40	14,5	49	21,2	10,6	40,5	24,8	12	87	144	67		
33100.W0769	33100.W0969	12	45	14,5	49	21,2	10,6	40,5	24,8	12	87	144	71		
33100.W0770	33100.W0970	12	50	14,5	49	21,2	10,6	40,5	24,8	12	87	144	75		
33100.W0772	33100.W0972	12	60	14,5	49	21,2	10,6	40,5	24,8	12	87	144	84		
33100.W0774	33100.W0974	12	70	14,5	49	21,2	10,6	40,5	24,8	12	87	144	93		
33100.W0776	33100.W0976	12	80	14,5	49	21,2	10,6	40,5	24,8	12	87	144	101		
33100.W0786	33100.W0986	16	30	19,0	49	21,2	14,0	40,5	24,8	16	155	257	91		
33100.W0787	33100.W0987	16	35	19,0	49	21,2	14,0	40,5	24,8	16	155	257	98		
33100.W0788	33100.W0988	16	40	19,0	49	21,2	14,0	40,5	24,8	16	155	257	106		
33100.W0789	33100.W0989	16	45	19,0	49	21,2	14,0	40,5	24,8	16	155	257	114		
33100.W0790	33100.W0990	16	50	19,0	49	21,2	14,0	40,5	24,8	16	155	257	121		
33100.W0792	33100.W0992	16	60	19,0	49	21,2	14,0	40,5	24,8	16	155	257	137		

Material

Type One-
Pin: Stainless steel 1.4305 (AISI 303).

Type Two-
Pin: Stainless steel 1.4542 (AISI 630), precipitation hardened, blast finish. Offering extreme load capacity. (Marked at end of shaft to denote 1.4542 material).

Handle: plastic (PBT/TPE). Colours avail.; orange/grey

Technical Notes

Pressing = unlocking.

Releasing = locking.

Unique design; elastic handle provides integral spring action to reset pin (hence no internal spring mechanism required).

Tested to over 100,000+ repetitions.

Temperature resistance -30°C to 80°C.

For quick fastening and locking of frequently repeated connections in applications such as; sports, leisure, medical and general engineering applications.

Tips

For easy to install locating bush see part 33248 .

Important Notes

*Shearing resistance similar to DIN 50141.



Handle

self-locking



33100

Order No.	Type	Order No.	Type	d ₁	l ₁	d ₂	d ₃	d ₄	l ₂	l ₃	l ₄	Location hole	Shearing resistance, double kN min.	Shearing resistance, double kN min.	g
1,4305	One Stainless	1,4542	Two Stainless									H11	1,4305 *	1,4542 *	
33100.W0794		33100.W0994		16	70	19,0	49	21,2	14,0	40,5	24,8	16	155	257	152
33100.W0796		33100.W0996		16	80	19,0	49	21,2	14,0	40,5	24,8	16	155	257	167



Material

Type One-

Pin: Stainless steel 1.4305 (AISI 303).

Type Two-

Pin: Stainless steel 1.4542 (AISI 630), precipitation hardened, blast finish. Offering extreme load capacity. (Marked at end of shaft to denote 1.4542 material).

Handle: plastic (PBT/TPE). Colours avail.; orange/grey

Technical Notes

Pressing = unlocking.

Releasing = locking.

Unique design; elastic handle provides integral spring action to reset pin (hence no internal spring mechanism required).

Tested to over 100,000+ repetitions.

Temperature resistance -30°C to 80°C.

For quick fastening and locking of frequently repeated connections in applications such as; sports, leisure, medical and general engineering applications.

Tips

For easy to install locating bush see part 33248 .

Important Notes

*Shearing resistance similar to DIN 50141.



**33060
-33250**

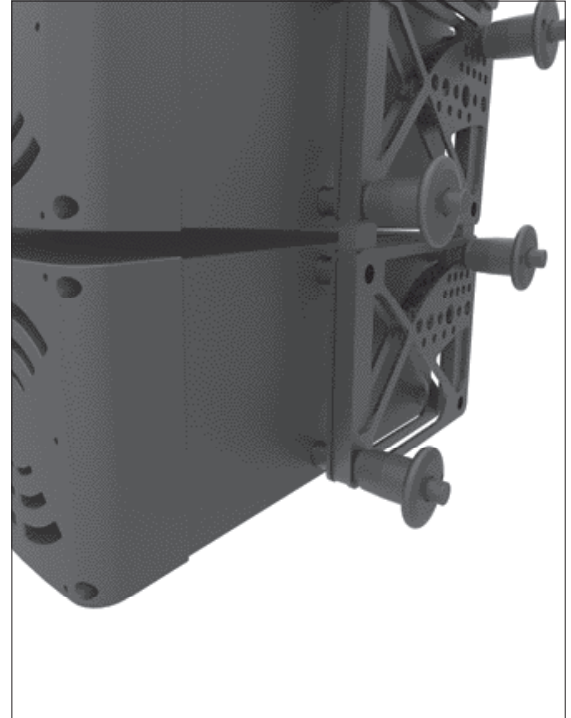
Wixroyd Ball Lock Pins
applications



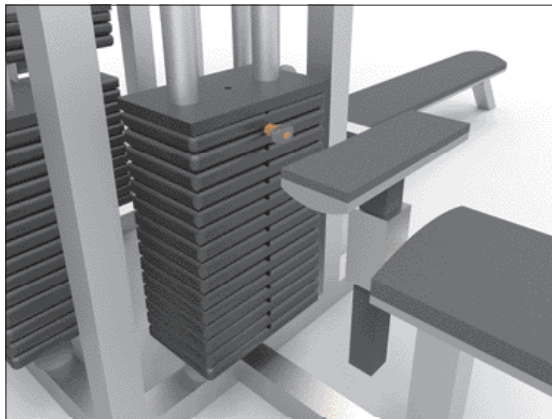
Sound rigging systems

Ball lock pins on a sound rigging system. Offering secure fixing with high shear forces and easy fitting for operators at heights.

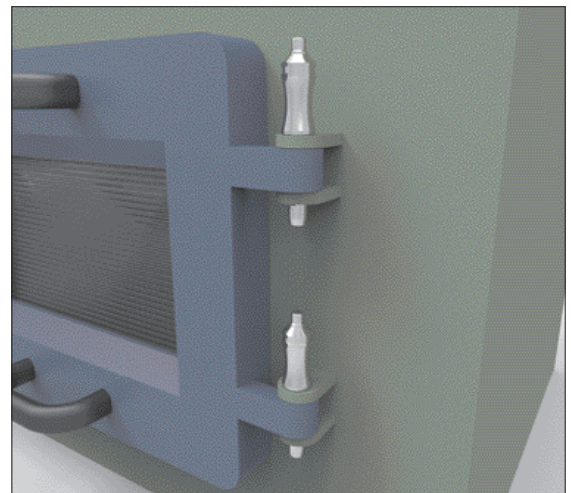
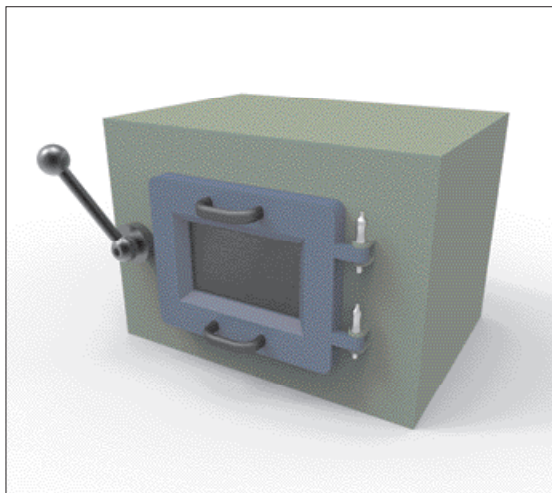
In addition full black powder coating of grip and actuation button eliminates glare from other stage lighting.



Gym equipment



Scientific and medical

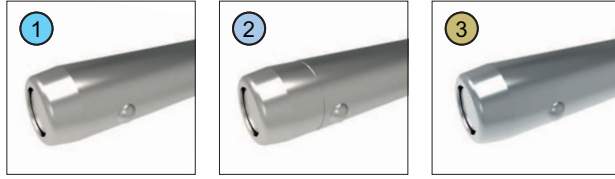


Wixroyd Ball Lock Pins

features



- ① 1.4305 (AISI 303) - shear force approx. 60% of higher material version 1.4542
- ② 1.4542 (AISI 630) - identified by the ridge on the pin
- ③ CRES 17-4PH (AMS 5643) aviation standard



Pin material



Plastic tri-star T-handled, metal L-handled, metal Mushroom, metal Single piece metal, contoured

Handle style



Special plastic self-spring Adjustable grip length, plastic Key ring Safety, metal Mushroom Type B aviation Type R aviation



Stainless wire - (coated) - 2 x key ring Stainless wire - Key ring and fixing loop Plastic - 2 x cable tie Steel wire - (coated) - 2 x key ring Stainless bead chain - 2 x key ring Locating bushes

Lanyards and locating bushes



Press = unlock
Release = lock (standard)

Press = unlock and position
Release = lock and simultaneous clamp

Simple spring loaded balls "pullout pin"

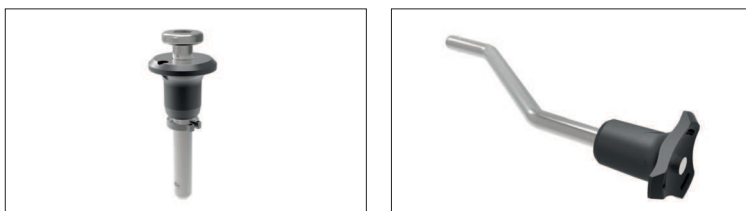
Actuation

Important Note: Ball lock pins are not suited to lifting applications!
For quick release lifting pins, see part 33400.



Shear force Lifting force

Important note



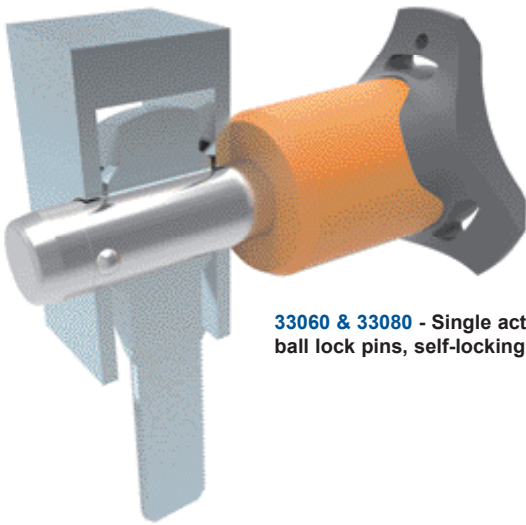
Variations on our standard designs are possible, please contact our sales team for technical assistance. Quick production on specials can be as little as 3 weeks.

Special variations



Applications

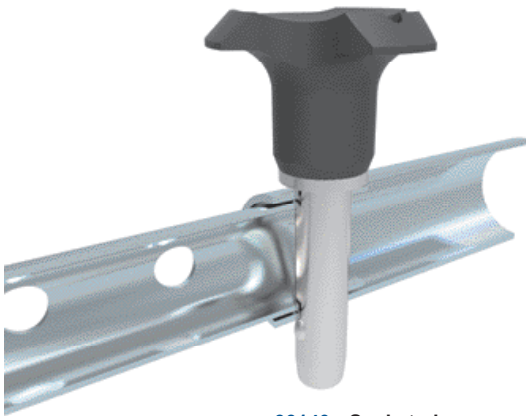
- Positioning.
- Lifting.
- Locking.
- Indexing.
- Joining.



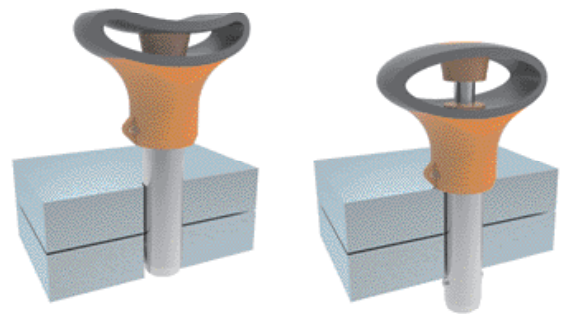
33060 & 33080 - Single acting ball lock pins, self-locking.



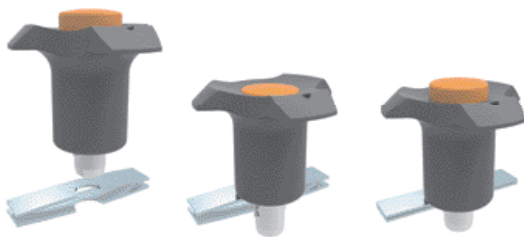
33194 - Single acting ball lock pins, self locking, simple finish.



33140 - Socket pins, non-locking, spring loaded balls.



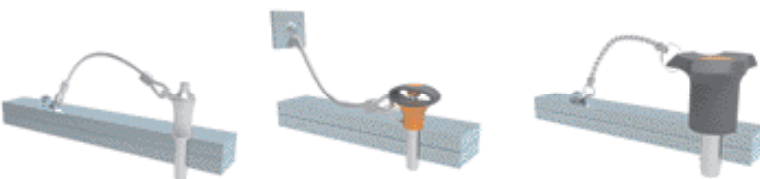
33100 - Single acting ball lock pin, self locking.



33180 - Clamping pins, with span compensation, self-locking.



33220 - Ball lock pins, single acting - L-handle



33250 & 33270 - Lanyards.