

Order No.	Finish	Nom. pin dia	d_1 +0,05	w_1	d_2	d_3	d_4	l_1	l_2	l_3	l_4	Max. load capacity kN	g
33170.W0010	Black	9,5	9,5	23	11,1	3,5	14	31,3	16,5	12,5	9	1,2	20
33170.W0020	Black	9,5	9,5	40	11,1	4,5	14	36,6	23,0	12,5	9	2,0	29
33170.W0110	Natural	9,5	9,5	23	11,1	3,5	14	31,3	16,5	12,5	9	1,2	20
33170.W0120	Natural	9,5	9,5	40	11,1	4,5	14	36,6	23,0	12,5	9	2,0	29

Material

Pin: Stainless Steel 1.4305 (AISI 303)

Spring: Stainless Steel
Finish: Black or Natural

Technical Notes

Temperature range -50°C to +150°C.

For quick fastening and locking of frequently repeated connections; gun slings, tool holders etc, used in combination with sling swivel receivers no.33172.

Pressing = Unlocking
Releasing = Locking



**33060
-33250**

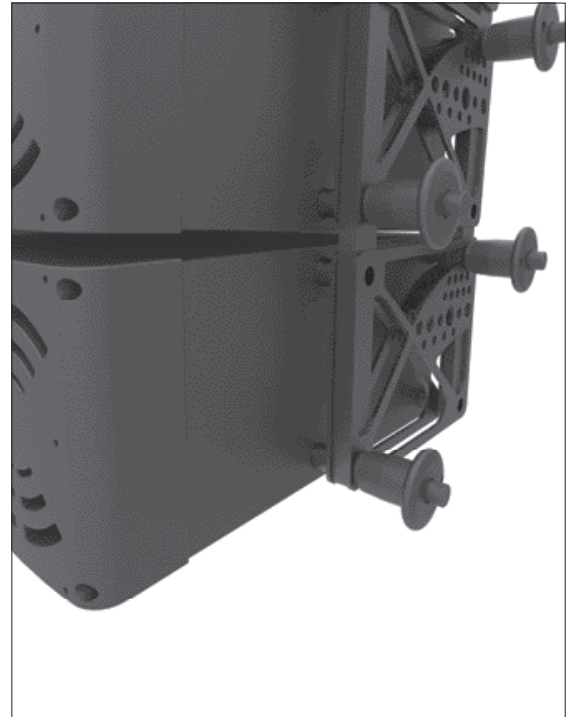
Wixroyd Ball Lock Pins
applications



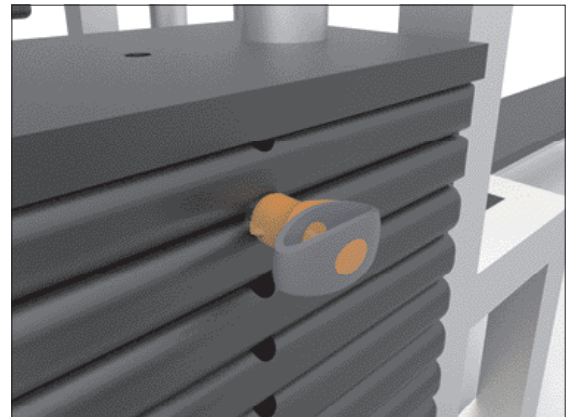
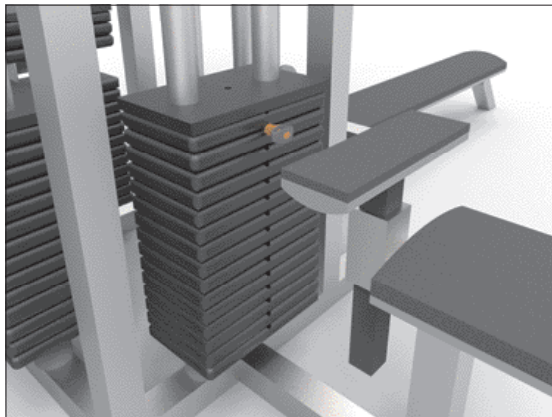
Sound rigging systems

Ball lock pins on a sound rigging system. Offering secure fixing with high shear forces and easy fitting for operators at heights.

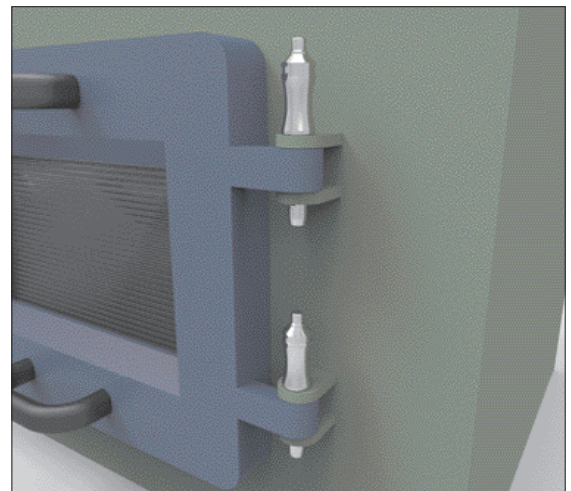
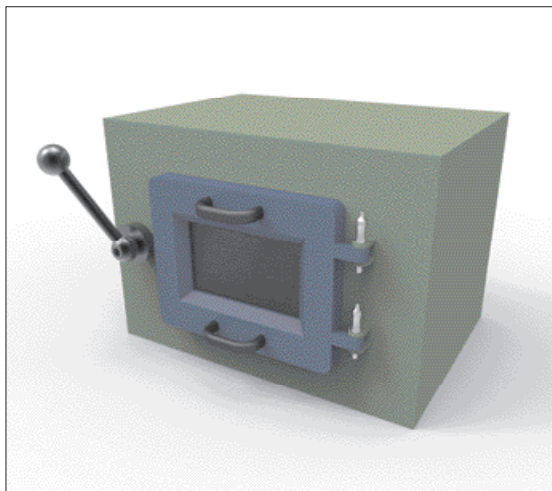
In addition full black powder coating of grip and actuation button eliminates glare from other stage lighting.



Gym equipment



Scientific and medical

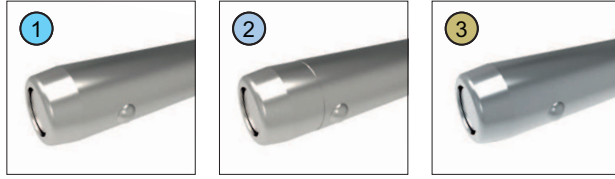


Wixroyd Ball Lock Pins

features



- ① 1.4305 (AISI 303) - shear force approx. 60% of higher material version 1.4542
- ② 1.4542 (AISI 630) - identified by the ridge on the pin
- ③ CRES 17-4PH (AMS 5643) aviation standard



Pin material



Plastic tri-star T-handled, metal L-handled, metal Mushroom, metal Single piece metal, contoured

Handle style



Special plastic self-spring Adjustable grip length, plastic Key ring Safety, metal Mushroom Type B aviation Type R aviation



Stainless wire - (coated) - 2 x key ring Stainless wire - Key ring and fixing loop Plastic - 2 x cable tie Steel wire - (coated) - 2 x key ring Stainless bead chain - 2 x key ring Locating bushes

Lanyards and locating bushes



Press = unlock
Release = lock (standard)

Press = unlock and position
Release = lock and simultaneous clamp

Simple spring loaded balls "pullout pin"

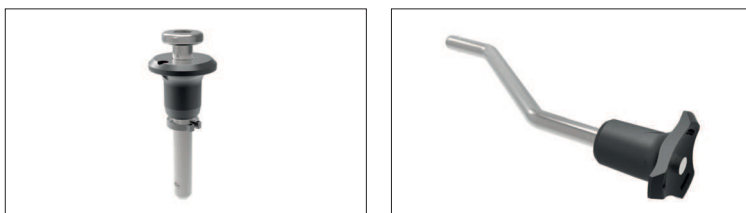
Actuation

Important Note: Ball lock pins are not suited to lifting applications!
For quick release lifting pins, see part 33400.



Shear force Lifting force

Important note



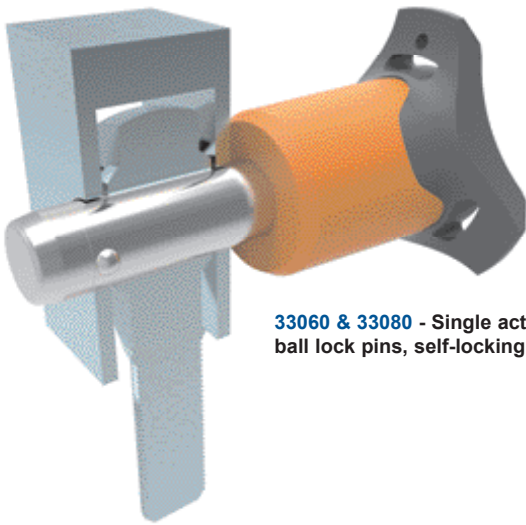
Variations on our standard designs are possible, please contact our sales team for technical assistance. Quick production on specials can be as little as 3 weeks.

Special variations



Applications

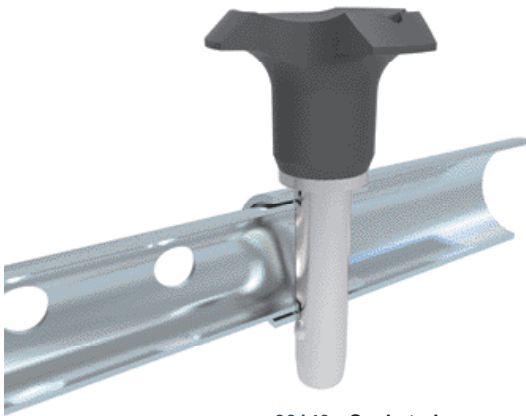
- Positioning.
- Lifting.
- Locking.
- Indexing.
- Joining.



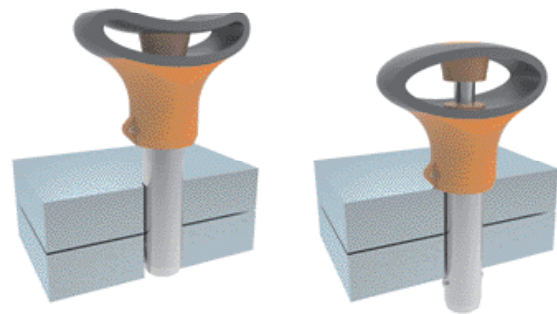
33060 & 33080 - Single acting ball lock pins, self-locking.



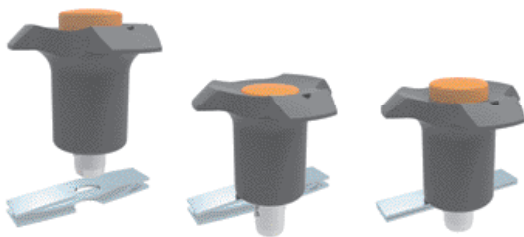
33194 - Single acting ball lock pins, self locking, simple finish.



33140 - Socket pins, non-locking, spring loaded balls.



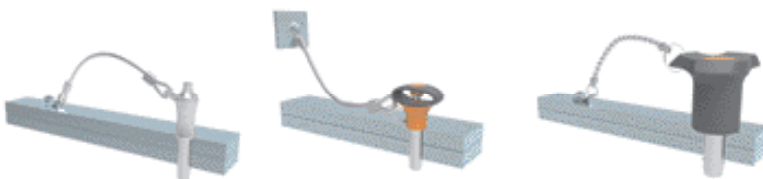
33100 - Single acting ball lock pin, self locking.



33180 - Clamping pins, with span compensation, self-locking.



33220 - Ball lock pins, single acting - L-handle



33250 & 33270 - Lanyards.