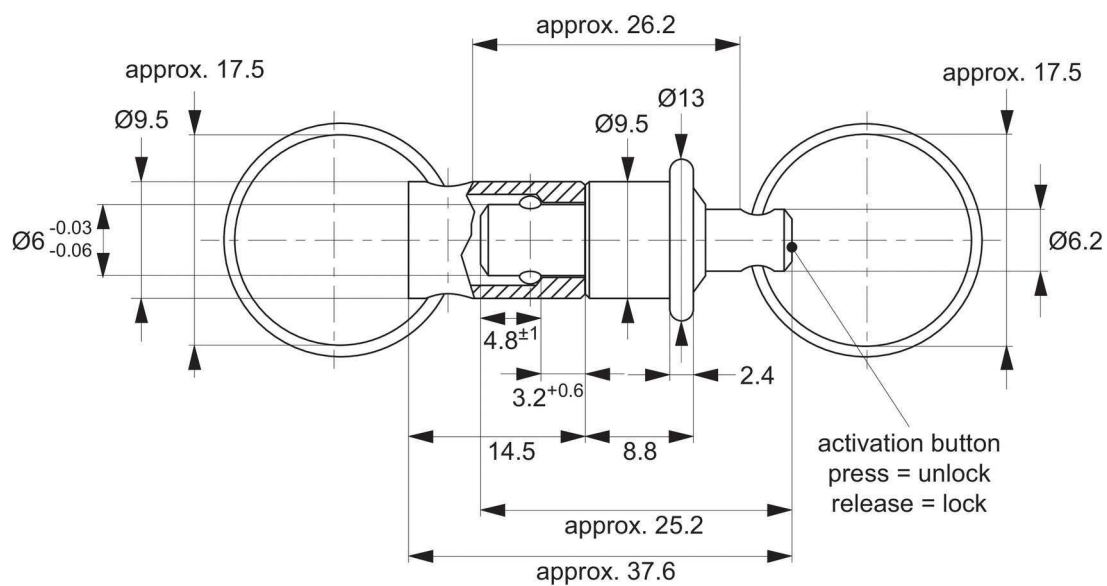


Ball Lock Pins - Single Acting - Key Ring

self-locking



33178



Part No.	Load capacity max. N	g
33178.W0905	30	15

Material

Pin & Bush: stainless steel 1.4305 (AISI 303).
Ring & Spring: stainless steel.

Technical Notes

Pressing = unlocking
Releasing = locking.
Temperature resistance up to max. 250 °C.

Tips

For lanyards & retaining cables see part no. 33250.

**33060
-33250**

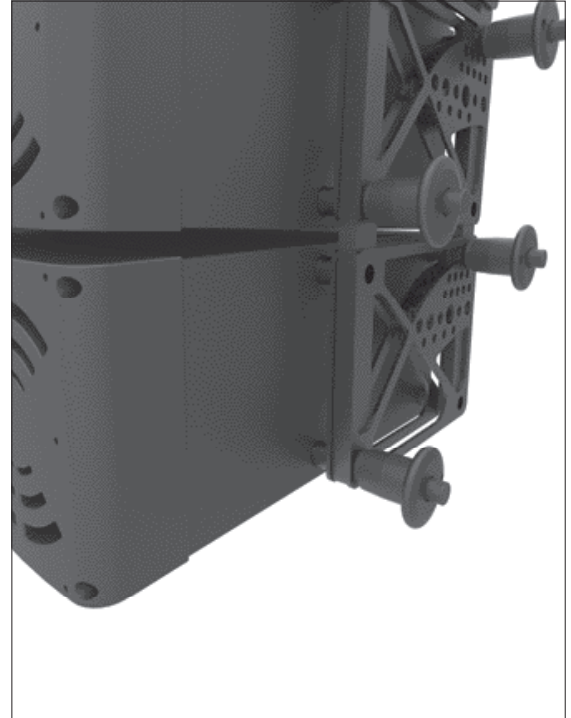
Wixroyd Ball Lock Pins
applications



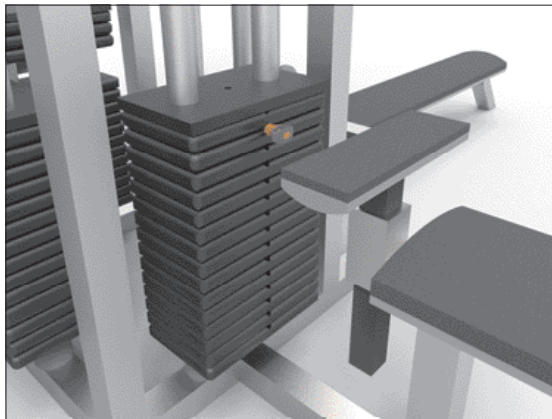
Sound rigging systems

Ball lock pins on a sound rigging system. Offering secure fixing with high shear forces and easy fitting for operators at heights.

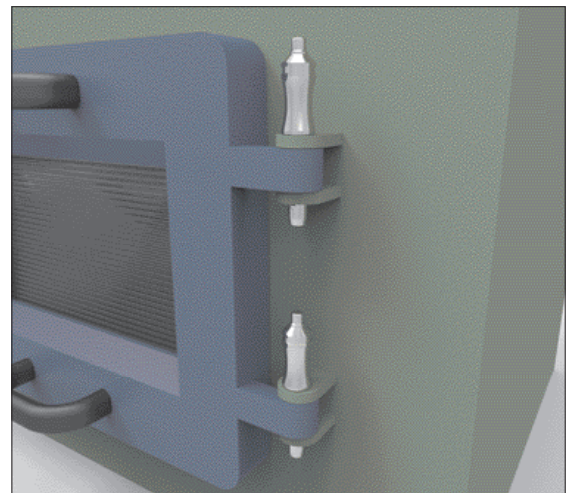
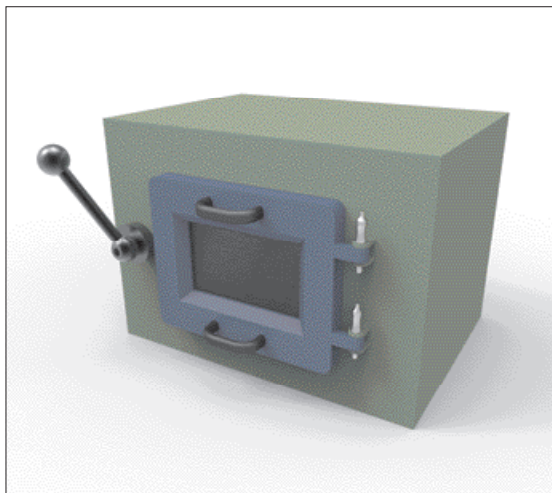
In addition full black powder coating of grip and actuation button eliminates glare from other stage lighting.



Gym equipment



Scientific and medical

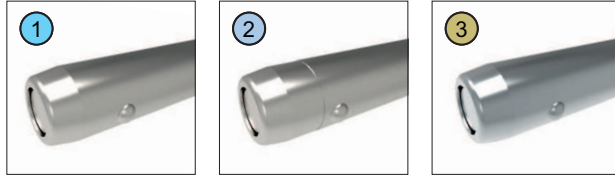


Wixroyd Ball Lock Pins

features



- ① 1.4305 (AISI 303) - shear force approx. 60% of higher material version 1.4542
- ② 1.4542 (AISI 630) - identified by the ridge on the pin
- ③ CRES 17-4PH (AMS 5643) aviation standard



Pin material



Plastic tri-star T-handled, metal L-handled, metal Mushroom, metal Single piece metal, contoured

Handle style



Special plastic self-spring Adjustable grip length, plastic Key ring Safety, metal Mushroom Type B aviation Type R aviation



Stainless wire - (coated) - 2 x key ring Stainless wire - Key ring and fixing loop Plastic - 2 x cable tie Steel wire - (coated) - 2 x key ring Stainless bead chain - 2 x key ring Locating bushes

Lanyards and locating bushes



Press = unlock
Release = lock (standard)

Press = unlock and position
Release = lock and simultaneous clamp

Simple spring loaded balls "pullout pin"

Actuation

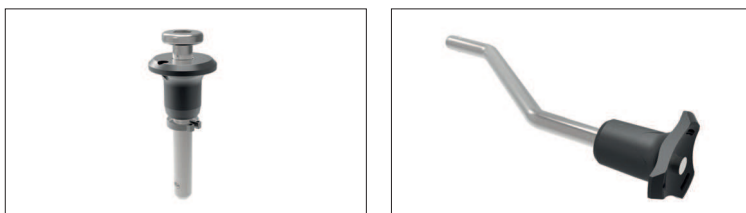
Important Note: Ball lock pins are not suited to lifting applications!
For quick release lifting pins, see part 33400.



Shear force

Lifting force

Important note



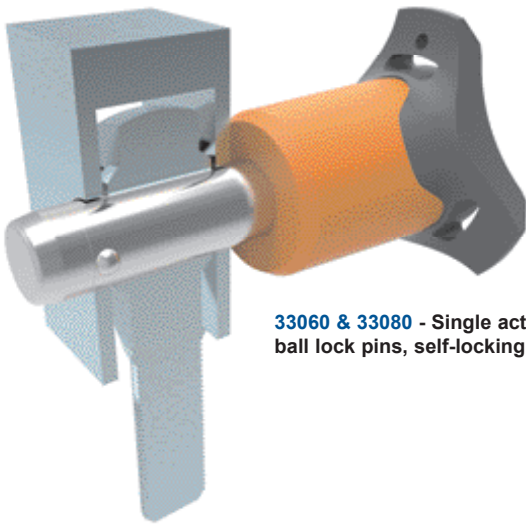
Variations on our standard designs are possible, please contact our sales team for technical assistance. Quick production on specials can be as little as 3 weeks.

Special variations



Applications

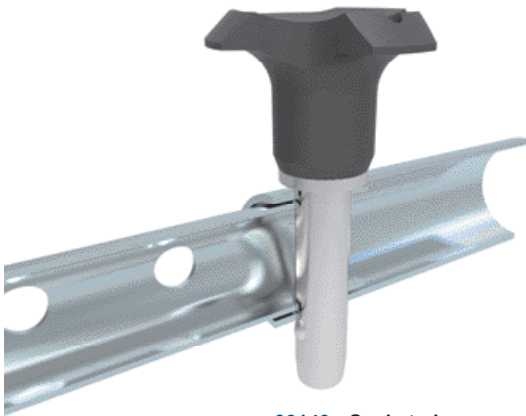
- Positioning.
- Lifting.
- Locking.
- Indexing.
- Joining.



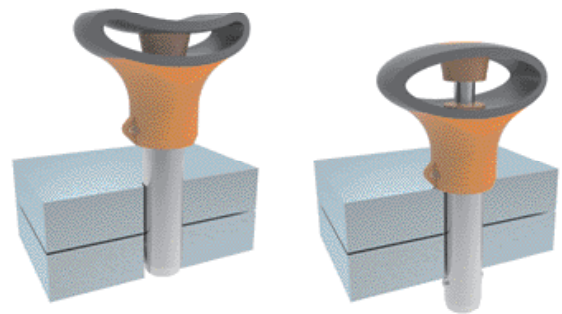
33060 & 33080 - Single acting ball lock pins, self-locking.



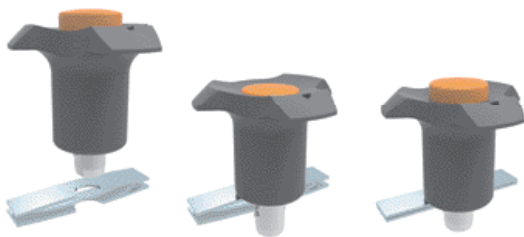
33194 - Single acting ball lock pins, self locking, simple finish.



33140 - Socket pins, non-locking, spring loaded balls.



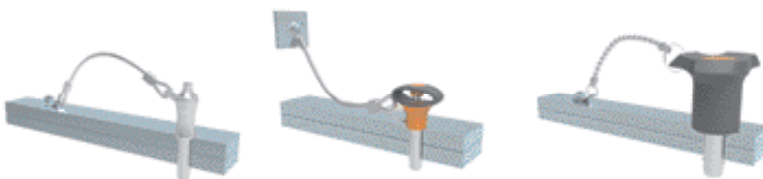
33100 - Single acting ball lock pin, self locking.



33180 - Clamping pins, with span compensation, self-locking.



33220 - Ball lock pins, single acting - L-handle



33250 & 33270 - Lanyards.