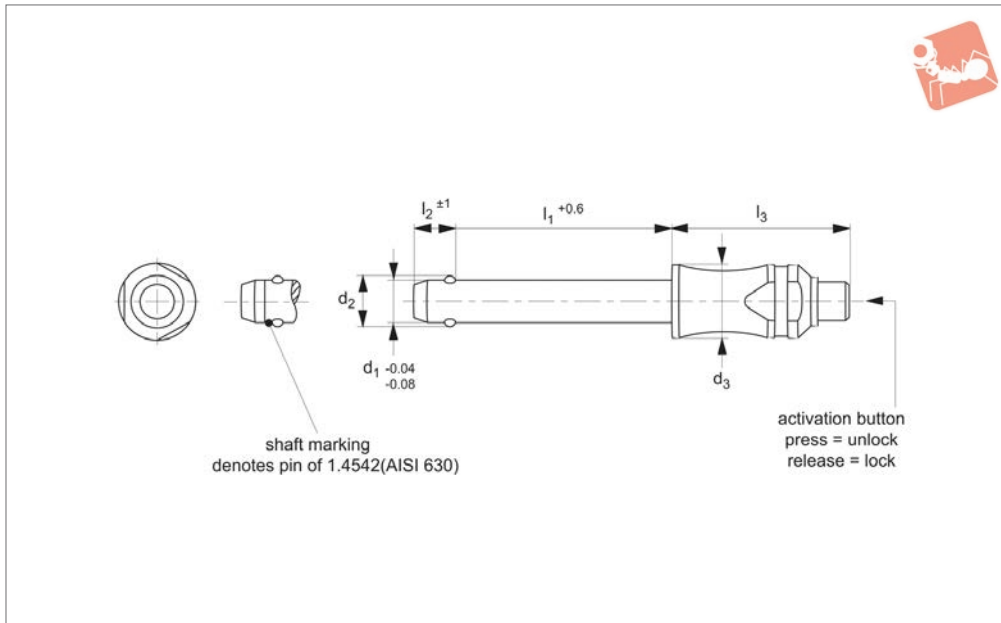




Ball Lock Pins - Contoured Handle

self-locking - single acting - stainless 1.4305

Ball Lock Pins & Quick Release



33194.1

BALL LOCK PINS & QUICK RELEASE PINS

Material

Pin: stainless steel 1.4305 (AISI 303).
Spring: stainless steel.

Technical Notes

Pressing = unlocking.
Releasing = locking.
Single piece contoured design for limited space applications.

Temperature resistance up to 250°C.
For quick fastening and locking of frequently repeated connections.
For suitable lanyards see part no. 33250.
W0970 and .W0974 only. Easy install locating bushes available see part no. 33248.

Tips

Single piece design, no danger of parts coming away from pin - ideal for applications with F.O.B (Foreign Object Body) issues.

Important Notes

*Shearing resistance similar to DIN 50141.

Order No.	Material	d ₁	d ₂	d ₃	l ₁	l ₂	l ₃	Location hole dia. tol. H11	Shearing resistance, double kN min.	Weight g
33194.W0007	Stainless 1.4305	5	5.5	10	45	6.0	26.2	5	14	15
33194.W0008	Stainless 1.4305	5	5.5	10	50	6.0	26.2	5	14	16
33194.W0009	Stainless 1.4305	5	5.5	10	60	6.0	26.2	5	14	17
33194.W0010	Stainless 1.4305	5	5.5	10	70	6.0	26.2	5	14	19
33194.W0011	Stainless 1.4305	5	5.5	10	80	6.0	26.2	5	14	20
33194.W0012	Stainless 1.4305	5	5.5	10	10	6.0	26.2	5	14	10
33194.W0013	Stainless 1.4305	5	5.5	10	15	6.0	26.2	5	14	11
33194.W0014	Stainless 1.4305	5	5.5	10	20	6.0	26.2	5	14	12
33194.W0015	Stainless 1.4305	5	5.5	10	25	6.0	26.2	5	14	13
33194.W0016	Stainless 1.4305	5	5.5	10	30	6.0	26.2	5	14	13
33194.W0017	Stainless 1.4305	5	5.5	10	35	6.0	26.2	5	14	14
33194.W0018	Stainless 1.4305	5	5.5	10	40	6.0	26.2	5	14	15
33194.W0019	Stainless 1.4305	6	7.0	10	60	7.0	26.2	6	21	21
33194.W0020	Stainless 1.4305	6	7.0	10	70	7.0	26.2	6	21	21
33194.W0021	Stainless 1.4305	6	7.0	10	80	7.0	26.2	6	21	25
33194.W0022	Stainless 1.4305	6	7.0	10	10	7.0	26.2	6	21	11
33194.W0023	Stainless 1.4305	6	7.0	10	15	7.0	26.2	6	21	12
33194.W0024	Stainless 1.4305	6	7.0	10	20	7.0	26.2	6	21	13
33194.W0025	Stainless 1.4305	6	7.0	10	25	7.0	26.2	6	21	14
33194.W0026	Stainless 1.4305	6	7.0	10	30	7.0	26.2	6	21	15
33194.W0027	Stainless 1.4305	6	7.0	10	35	7.0	26.2	6	21	16
33194.W0028	Stainless 1.4305	6	7.0	10	40	7.0	26.2	6	21	17
33194.W0029	Stainless 1.4305	6	7.0	10	45	7.0	26.2	6	21	18
33194.W0030	Stainless 1.4305	6	7.0	10	50	7.0	26.2	6	21	19
33194.W0031	Stainless 1.4305	8	9.6	14	60	8.2	33.1	8	38	47
33194.W0032	Stainless 1.4305	8	9.6	14	10	8.2	33.1	8	38	29
33194.W0033	Stainless 1.4305	8	9.6	14	15	8.2	33.1	8	38	31
33194.W0034	Stainless 1.4305	8	9.6	14	20	8.2	33.1	8	38	33

Ball Lock Pins & Quick Release

Ball Lock Pins - Contoured Handle

self-locking - single acting - stainless 1.4305



BALL LOCK PINS & QUICK RELEASE PINS

Order No.	Material	d ₁	d ₂	d ₃	l ₁	l ₂	l ₃	Location hole dia. tol. H11	Shearing resistance, double kN min.	Weight g
33194.W0035	Stainless 1.4305	8	9.6	14	25	8.2	33.1	8	38	34
33194.W0036	Stainless 1.4305	8	9.6	14	30	8.2	33.1	8	38	36
33194.W0037	Stainless 1.4305	8	9.6	14	35	8.2	33.1	8	38	38
33194.W0038	Stainless 1.4305	8	9.6	14	40	8.2	33.1	8	38	40
33194.W0039	Stainless 1.4305	8	9.6	14	45	8.2	33.1	8	38	42
33194.W0040	Stainless 1.4305	8	9.6	14	50	8.2	33.1	8	38	44
33194.W0041	Stainless 1.4305	8	9.6	14	70	8.2	33.1	8	38	51
33194.W0042	Stainless 1.4305	8	9.6	14	80	8.2	33.1	8	38	55
33194.W0043	Stainless 1.4305	8	9.6	14	90	8.2	33.1	8	38	58
33194.W0044	Stainless 1.4305	10	12.0	14	20	9.6	33.1	10	60	39
33194.W0045	Stainless 1.4305	10	12.0	14	25	9.6	33.1	10	60	42
33194.W0046	Stainless 1.4305	10	12.0	14	30	9.6	33.1	10	60	45
33194.W0047	Stainless 1.4305	10	12.0	14	35	9.6	33.1	10	60	48
33194.W0048	Stainless 1.4305	10	12.0	14	40	9.6	33.1	10	60	51
33194.W0049	Stainless 1.4305	10	12.0	14	45	9.6	33.1	10	60	54
33194.W0050	Stainless 1.4305	10	12.0	14	50	9.6	33.1	10	60	57
33194.W0051	Stainless 1.4305	8	9.6	14	100	8.2	33.1	8	38	62
33194.W0052	Stainless 1.4305	10	12.0	14	60	9.6	33.1	10	60	63
33194.W0053	Stainless 1.4305	10	12.0	14	70	9.6	33.1	10	60	69
33194.W0054	Stainless 1.4305	10	12.0	14	80	9.6	33.1	10	60	74
33194.W0055	Stainless 1.4305	10	12.0	14	90	9.6	33.1	10	60	80
33194.W0056	Stainless 1.4305	10	12.0	14	100	9.6	33.1	10	60	86
33194.W0057	Stainless 1.4305	10	12.0	14	110	9.6	33.1	10	60	92
33194.W0058	Stainless 1.4305	10	12.0	14	120	9.6	33.1	10	60	98
33194.W0059	Stainless 1.4305	10	12.0	14	15	9.6	33.1	10	60	36
33194.W0060	Stainless 1.4305	12	14.5	20	90	10.6	39.5	12	87	139
33194.W0061	Stainless 1.4305	12	14.5	20	100	10.6	39.5	12	87	148
33194.W0062	Stainless 1.4305	12	14.5	20	110	10.6	39.5	12	87	157
33194.W0063	Stainless 1.4305	12	14.5	20	120	10.6	39.5	12	87	165
33194.W0064	Stainless 1.4305	12	14.5	20	20	10.6	39.5	12	87	98
33194.W0065	Stainless 1.4305	12	14.5	20	25	10.6	39.5	12	87	84
33194.W0066	Stainless 1.4305	12	14.5	20	30	10.6	39.5	12	87	88
33194.W0067	Stainless 1.4305	12	14.5	20	35	10.6	39.5	12	87	92
33194.W0068	Stainless 1.4305	12	14.5	20	40	10.6	39.5	12	87	96
33194.W0069	Stainless 1.4305	12	14.5	20	45	10.6	39.5	12	87	101
33194.W0070	Stainless 1.4305	12	14.5	20	50	10.6	39.5	12	87	105
33194.W0072	Stainless 1.4305	12	14.5	20	60	10.6	39.5	12	87	113
33194.W0074	Stainless 1.4305	12	14.5	20	70	10.6	39.5	12	87	122
33194.W0076	Stainless 1.4305	12	14.5	20	80	10.6	39.5	12	87	130
33194.W0086	Stainless 1.4305	16	19.0	20	30	14.0	39.5	16	155	120
33194.W0087	Stainless 1.4305	16	19.0	20	35	14.0	39.5	16	155	127
33194.W0088	Stainless 1.4305	16	19.0	20	40	14.0	39.5	16	155	135
33194.W0089	Stainless 1.4305	16	19.0	20	45	14.0	39.5	16	155	143
33194.W0090	Stainless 1.4305	16	19.0	20	50	14.0	39.5	16	155	150
33194.W0092	Stainless 1.4305	16	19.0	20	60	14.0	39.5	16	155	166
33194.W0094	Stainless 1.4305	16	19.0	20	70	14.0	39.5	16	155	181
33194.W0096	Stainless 1.4305	16	19.0	20	80	14.0	39.5	16	155	196
33194.W0097	Stainless 1.4305	16	19.0	20	90	14.0	39.5	16	155	216
33194.W0098	Stainless 1.4305	16	19.0	20	100	14.0	39.5	16	155	233
33194.W0099	Stainless 1.4305	16	19.0	20	110	14.0	39.5	16	155	248
33194.W0100	Stainless 1.4305	16	19.0	20	120	14.0	39.5	16	155	263
33194.W0101	Stainless 1.4305	16	19.0	20	130	14.0	39.5	16	155	279
33194.W0102	Stainless 1.4305	16	19.0	20	140	14.0	39.5	16	155	295
33194.W0103	Stainless 1.4305	16	19.0	20	150	14.0	39.5	16	155	310
33194.W0111	Stainless 1.4305	20	25.0	28	50	20.5	49.9	20	244	303
33194.W0112	Stainless 1.4305	20	25.0	28	60	20.5	49.9	20	244	322
33194.W0116	Stainless 1.4305	20	25.0	28	80	20.5	49.9	20	244	370
33194.W0117	Stainless 1.4305	20	25.0	28	90	20.5	49.9	20	244	400
33194.W0120	Stainless 1.4305	20	25.0	28	100	20.5	49.9	20	244	414
33194.W0124	Stainless 1.4305	20	25.0	28	120	20.5	49.9	20	244	466
33194.W0125	Stainless 1.4305	20	25.0	28	130	20.5	49.9	20	244	497
33194.W0126	Stainless 1.4305	20	25.0	28	140	20.5	49.9	20	244	520
33194.W0127	Stainless 1.4305	20	25.0	28	150	20.5	49.9	20	244	545
33194.W0129	Stainless 1.4305	25	30.8	28	50	22.0	49.9	25	386	466
33194.W0130	Stainless 1.4305	25	30.8	28	60	22.0	49.9	25	386	432
33194.W0131	Stainless 1.4305	20	30.8	28	70	22.0	49.9	25	386	470
33194.W0132	Stainless 1.4305	25	30.8	28	810	22.0	49.9	25	386	507



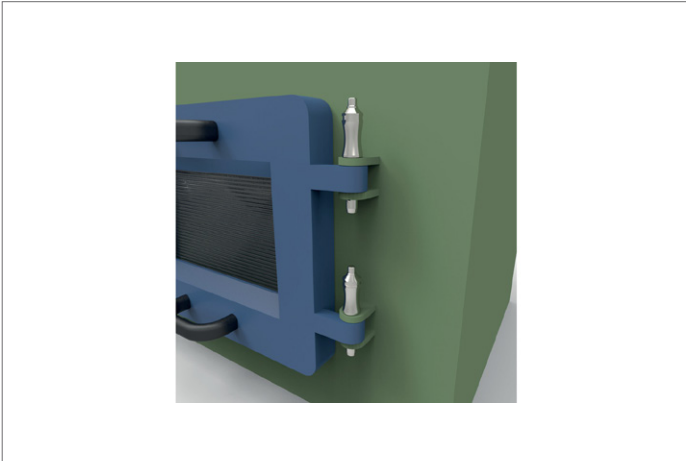
Ball Lock Pins - Contoured Handle

self-locking - single acting - stainless 1.4305

Ball Lock Pins & Quick Release



Order No.	Material	d ₁	d ₂	d ₃	l ₁	l ₂	l ₃	Location hole dia. tol. H11	Shearing resistance, double kN min.	Weight g
33194.W0133	Stainless 1.4305	25	30.8	28	90	22.0	49.9	25	386	545
33194.W0134	Stainless 1.4305	25	30.8	28	100	22.0	49.9	25	386	582
33194.W0135	Stainless 1.4305	25	30.8	28	110	22.0	49.9	25	386	620
33194.W0136	Stainless 1.4305	25	30.8	28	120	22.0	49.9	25	386	657
33194.W0137	Stainless 1.4305	25	30.8	28	130	22.0	49.9	25	386	695
33194.W0138	Stainless 1.4305	25	30.8	28	140	22.0	49.9	25	386	732
33194.W0139	Stainless 1.4305	25	30.8	28	150	22.0	49.9	25	386	770



BALL LOCK PINS & QUICK RELEASE PINS



Sound Rigging Systems

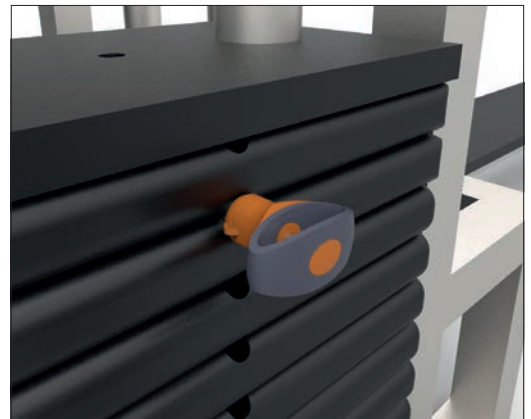
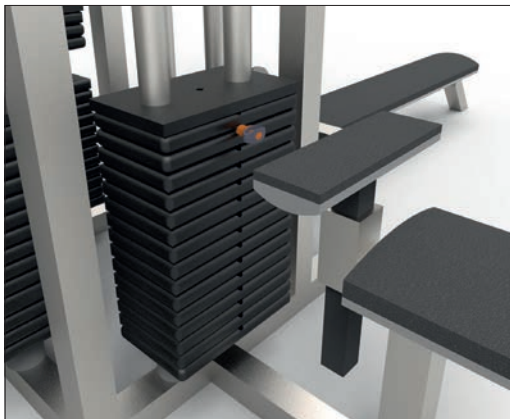
Ball lock pins on a sound rigging system. Offering secure fixing with high shear forces and easy fitting for operators at heights.

In addition full black powder coating of grip and actuation button eliminates glare from other stage lighting.

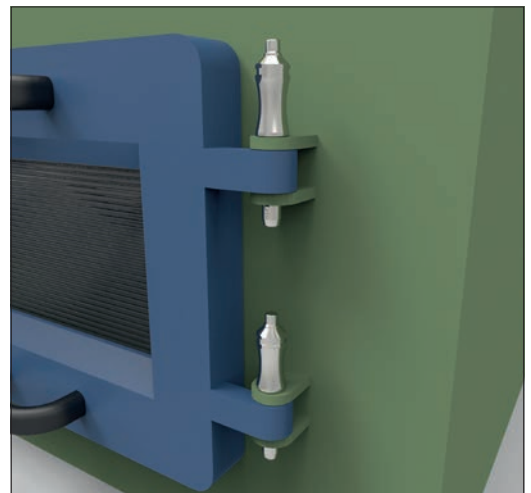
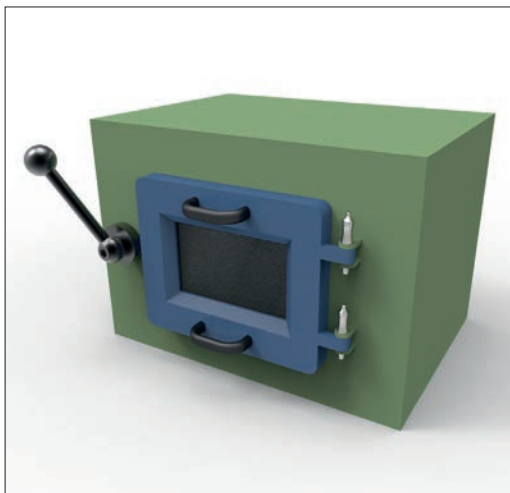


BALL LOCK PINS & QUICK RELEASE PINS

Gym Equipment



Scientific and Medical





Wixroyd Ball Lock Pins

features

33060 - 33250

Positioning Elements

BALL LOCK PINS & QUICK RELEASE PINS

1.4305 (AISI 303) - shear force approx. 60% of higher material version 1.4542

1.4542 (AISI 630) - identified by the ridge on the pin

CRES 17-4PH (AMS 5643) aviation standard



Pin Material



Handle Style

Plastic tri-star T-handled, metal L-handled, metal Mushroom, metal Single piece metal, contoured

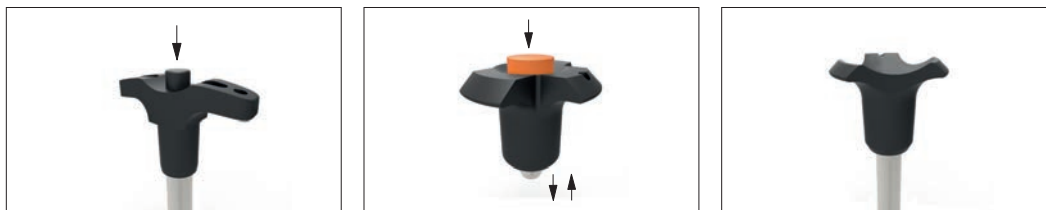


Special plastic self-spring Adjustable grip length, plastic Key ring Safety, metal Mushroom Type B aviation Type R aviation



Lanyards and Locating Bushes

Stainless wire - (coated) - 2 x key ring Stainless wire - Key ring and fixing loop Plastic - 2 x cable tie Steel wire - (coated) - 2 x key ring Stainless bead chain - 2 x key ring Locating bushes



Actuation

Press = unlock
Release = lock (standard)

Press = unlock and position
Release = lock and simultaneous clamp

Simple spring loaded balls "pullout pin"



Important Note

Important Note: Ball lock pins are not suited to lifting applications!

For quick release lifting pins, see part 33400.

Shear force

Lifting force



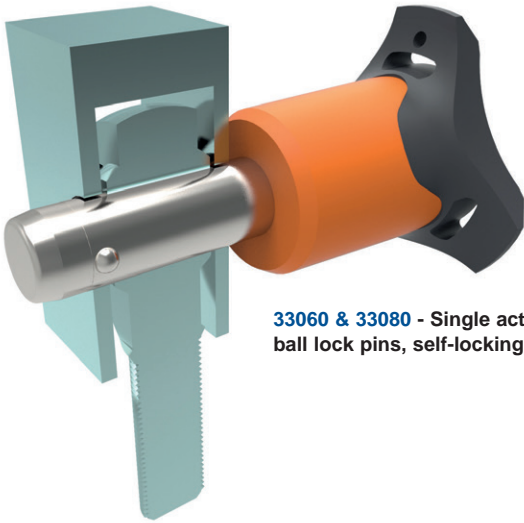
Special Variations

Variations on our standard designs are possible, please contact our sales team for technical assistance. Quick production on specials can be as little as 3 weeks.



Applications

- Positioning.
- Lifting.
- Locking.
- Indexing.
- Joining.



33060 & 33080 - Single acting ball lock pins, self-locking.



33194 - Single acting ball lock pins, self locking, simple finish.



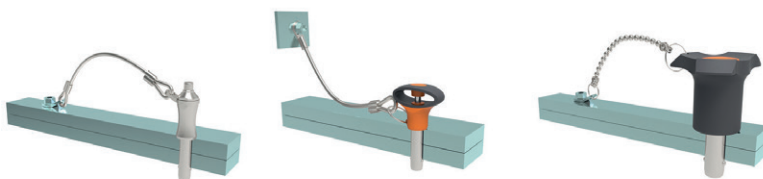
33140 - Socket pins, non-locking, spring loaded balls.



33100 - Single acting ball lock pin, self locking.



33180 - Clamping pins, with span compensation, self-locking.



33250 & 33270 - Lanyards.



33220 - Ball lock pins, single acting - L-handle