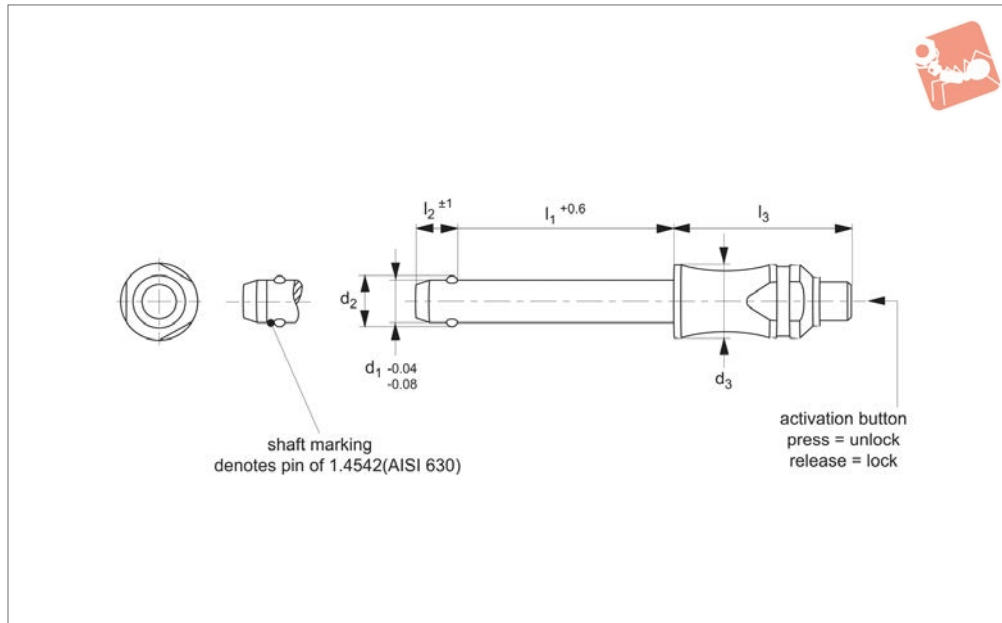




Ball Lock Pins - Contoured Handle

self-locking - single acting - stainless 1.4542

Ball Lock Pins & Quick Release



33194.2

BALL LOCK PINS & QUICK RELEASE PINS

Material

Pin: stainless steel 1.4542 (AISI 630), precipitation-hardened, blast finish. Offering extreme load capacity (marked at end of shaft to denote 1.4542 material). End of shaft marked for material type 1.4542.
Spring: stainless steel.

Technical Notes

Pressing = unlocking.

Releasing = locking.

Single piece contoured design for limited space applications.
Temperature resistance up to 250°C.
For quick fastening and locking of frequently repeated connections.
For suitable lanyards see part no. 33250. W0970 and .W0974 only. Easy install locating bushes available see part no. 33248.

Tips

Single piece design, no danger of parts coming away from pin - ideal for applications with F.O.B (Foreign Object Body) issues.

Important Notes

*Shearing resistance similar to DIN 50141.

Order No.	Material	d ₁	d ₂	d ₃	l ₁	l ₂	l ₃	Location hole dia. tol. H11	Shearing resistance, double kN min.	Weight g
33194.W0307	Stainless 1.4542	5	5.5	10	45	6.0	26.2	5	24	15
33194.W0308	Stainless 1.4542	5	5.5	10	50	6.0	26.2	5	24	16
33194.W0309	Stainless 1.4542	5	5.5	10	60	6.0	26.2	5	24	17
33194.W0310	Stainless 1.4542	5	5.5	10	70	6.0	26.2	5	24	20
33194.W0311	Stainless 1.4542	5	5.5	10	80	6.0	26.2	5	24	20
33194.W0312	Stainless 1.4542	5	5.5	10	10	6.0	26.2	5	24	10
33194.W0313	Stainless 1.4542	5	5.5	10	15	6.0	26.2	5	24	11
33194.W0314	Stainless 1.4542	5	5.5	10	20	6.0	26.2	5	24	12
33194.W0315	Stainless 1.4542	5	5.5	10	25	6.0	26.2	5	24	13
33194.W0316	Stainless 1.4542	5	5.5	10	30	6.0	26.2	5	24	13
33194.W0317	Stainless 1.4542	5	5.5	10	35	6.0	26.2	5	24	14
33194.W0318	Stainless 1.4542	5	5.5	10	40	6.0	26.2	5	24	15
33194.W0319	Stainless 1.4542	6	7.0	10	60	7.0	26.2	6	35	21
33194.W0320	Stainless 1.4542	6	7.0	10	70	7.0	26.2	6	35	23
33194.W0321	Stainless 1.4542	6	7.0	10	70	7.0	26.2	6	35	25
33194.W0322	Stainless 1.4542	6	7.0	10	10	7.0	26.2	6	35	11
33194.W0323	Stainless 1.4542	6	7.0	10	15	7.0	26.2	6	35	12
33194.W0324	Stainless 1.4542	6	7.0	10	20	7.0	26.2	6	35	13
33194.W0325	Stainless 1.4542	6	7.0	10	25	7.0	26.2	6	35	14
33194.W0326	Stainless 1.4542	6	7.0	10	30	7.0	26.2	6	35	15
33194.W0327	Stainless 1.4542	6	7.0	10	35	7.0	26.2	6	35	16
33194.W0328	Stainless 1.4542	6	7.0	10	40	7.0	26.2	6	35	17
33194.W0329	Stainless 1.4542	6	7.0	10	45	7.0	26.2	6	35	18
33194.W0330	Stainless 1.4542	6	7.0	10	50	7.0	26.2	6	35	19
33194.W0331	Stainless 1.4542	8	9.6	14	60	8.2	33.1	8	63	47

Ball Lock Pins & Quick Release

Ball Lock Pins - Contoured Handle

self-locking - single acting - stainless 1.4542



BALL LOCK PINS & QUICK RELEASE PINS

Order No.	Material	d ₁	d ₂	d ₃	l ₁	l ₂	l ₃	Location hole dia. tol. H11	Shearing resistance, double kN min.	Weight g
33194.W0332	Stainless 1.4542	8	9.6	14	10	8.2	33.1	8	63	29
33194.W0333	Stainless 1.4542	8	9.6	14	15	8.2	33.1	8	63	31
33194.W0334	Stainless 1.4542	8	9.6	14	20	8.2	33.1	8	63	33
33194.W0335	Stainless 1.4542	8	9.6	14	25	8.2	33.1	8	63	34
33194.W0336	Stainless 1.4542	8	9.6	14	30	8.2	33.1	8	63	36
33194.W0337	Stainless 1.4542	8	9.6	14	35	8.2	33.1	8	63	38
33194.W0338	Stainless 1.4542	8	9.6	14	40	8.2	33.1	8	63	40
33194.W0339	Stainless 1.4542	8	9.6	14	45	8.2	33.1	8	63	42
33194.W0340	Stainless 1.4542	8	9.6	14	50	8.2	33.1	8	63	44
33194.W0341	Stainless 1.4542	8	9.6	14	70	8.2	33.1	8	63	51
33194.W0342	Stainless 1.4542	8	9.6	14	80	8.2	33.1	8	63	55
33194.W0343	Stainless 1.4542	8	9.6	14	90	8.2	33.1	8	63	58
33194.W0344	Stainless 1.4542	10	12.0	14	20	9.6	33.1	10	100	39
33194.W0345	Stainless 1.4542	10	12.0	14	25	9.6	33.1	10	100	42
33194.W0346	Stainless 1.4542	10	12.0	14	30	9.6	33.1	10	100	45
33194.W0347	Stainless 1.4542	10	12.0	14	35	9.6	33.1	10	100	48
33194.W0348	Stainless 1.4542	10	12.0	14	40	9.6	33.1	10	100	51
33194.W0349	Stainless 1.4542	10	12.0	14	45	9.6	33.1	10	100	54
33194.W0350	Stainless 1.4542	10	12.0	14	50	9.6	33.1	10	100	57
33194.W0351	Stainless 1.4542	8	9.6	14	100	8.2	33.1	8	63	62
33194.W0352	Stainless 1.4542	10	12.0	14	60	9.6	33.1	10	100	63
33194.W0353	Stainless 1.4542	10	12.0	14	70	9.6	33.1	10	100	69
33194.W0354	Stainless 1.4542	10	12.0	14	80	9.6	33.1	10	100	74
33194.W0355	Stainless 1.4542	10	12.0	14	90	9.6	33.1	10	100	80
33194.W0356	Stainless 1.4542	10	12.0	14	100	9.6	33.1	10	100	86
33194.W0357	Stainless 1.4542	10	12.0	14	110	9.6	33.1	10	60	92
33194.W0358	Stainless 1.4542	10	12.0	14	120	9.6	33.1	10	100	98
33194.W0359	Stainless 1.4542	10	12.0	14	15	9.6	33.1	10	100	36
33194.W0360	Stainless 1.4542	12	14.5	20	90	10.6	39.5	12	144	139
33194.W0361	Stainless 1.4542	12	14.5	20	100	10.6	39.5	12	144	148
33194.W0362	Stainless 1.4542	12	14.5	20	110	10.6	39.5	12	144	157
33194.W0363	Stainless 1.4542	12	14.5	20	120	10.6	39.5	12	144	165
33194.W0364	Stainless 1.4542	12	14.5	20	20	10.6	39.5	12	144	80
33194.W0365	Stainless 1.4542	12	14.5	20	25	10.6	39.5	12	144	84
33194.W0366	Stainless 1.4542	12	14.5	20	30	10.6	39.5	12	144	88
33194.W0367	Stainless 1.4542	12	14.5	20	35	10.6	39.5	12	144	92
33194.W0368	Stainless 1.4542	12	14.5	20	40	10.6	39.5	12	144	96
33194.W0369	Stainless 1.4542	12	14.5	20	45	10.6	39.5	12	144	101
33194.W0370	Stainless 1.4542	12	14.5	20	50	10.6	39.5	12	144	105
33194.W0372	Stainless 1.4542	12	14.5	20	60	10.6	39.5	12	144	113
33194.W0374	Stainless 1.4542	12	14.5	20	70	10.6	39.5	12	144	122
33194.W0376	Stainless 1.4542	12	14.5	20	80	10.6	39.5	12	144	130
33194.W0386	Stainless 1.4542	16	19.0	20	30	14.0	39.5	16	257	120
33194.W0387	Stainless 1.4542	16	19.0	20	35	14.0	39.5	16	257	127
33194.W0388	Stainless 1.4542	16	19.0	20	40	14.0	39.5	16	257	135
33194.W0389	Stainless 1.4542	16	19.0	20	45	14.0	39.5	16	257	143
33194.W0390	Stainless 1.4542	16	19.0	20	50	14.0	39.5	16	257	150
33194.W0392	Stainless 1.4542	16	19.0	20	60	14.0	39.5	16	257	166
33194.W0394	Stainless 1.4542	16	19.0	20	70	14.0	39.5	16	257	181
33194.W0396	Stainless 1.4542	16	19.0	20	80	14.0	39.5	16	257	196
33194.W0397	Stainless 1.4542	16	19.0	20	90	14.0	39.5	16	257	216
33194.W0398	Stainless 1.4542	16	19.0	20	100	14.0	39.5	16	257	233
33194.W0399	Stainless 1.4542	16	19.0	20	110	14.0	39.5	16	257	248
33194.W0411	Stainless 1.4542	20	25.0	28	50	20.0	49.9	16	403	303
33194.W0412	Stainless 1.4542	20	25.0	28	60	20.5	49.9	20	403	322
33194.W0416	Stainless 1.4542	20	25.0	28	80	20.5	49.9	20	403	370
33194.W0417	Stainless 1.4542	20	25.0	28	90	20.5	49.9	20	403	400
33194.W0420	Stainless 1.4542	20	25.0	28	100	20.5	49.9	20	403	414
33194.W0424	Stainless 1.4542	20	25.0	28	120	20.5	49.9	20	403	466
33194.W0425	Stainless 1.4542	20	25.0	28	130	20.5	49.9	20	403	497
33194.W0426	Stainless 1.4542	20	25.0	28	140	20.5	49.9	20	403	520
33194.W0427	Stainless 1.4542	20	25.0	28	150	20.5	49.9	20	403	545
33194.W0429	Stainless 1.4542	25	30.8	28	50	22.0	49.9	25	631	395
33194.W0430	Stainless 1.4542	25	30.8	28	60	22.0	49.9	25	631	396
33194.W0431	Stainless 1.4542	25	30.8	28	70	22	49.9	25	631	396
33194.W0432	Stainless 1.4542	25	30.8	28	80	22.0	49.9	25	631	507
33194.W0433	Stainless 1.4542	25	30.8	28	90	22.0	49.9	25	631	545



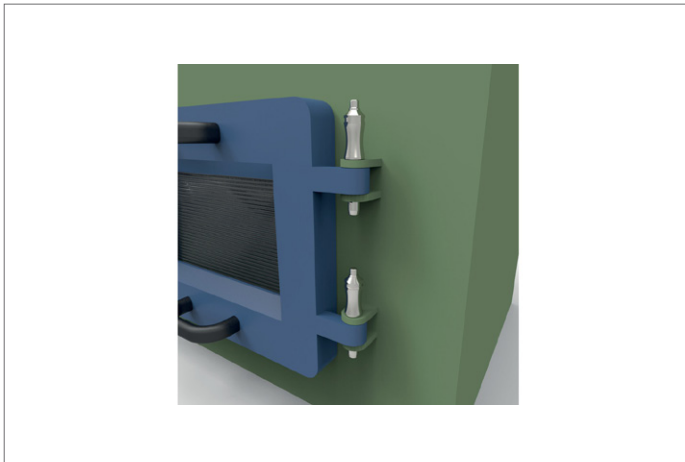
Ball Lock Pins - Contoured Handle

self-locking - single acting - stainless 1.4542

Ball Lock Pins & Quick Release



Order No.	Material	d ₁	d ₂	d ₃	l ₁	l ₂	l ₃	Location hole dia. tol. H11	Shearing resistance, double kN min.	Weight g
33194.W0434	Stainless 1.4542	25	30.8	28	100	22.0	49.9	25	631	582
33194.W0435	Stainless 1.4542	25	30.8	28	110	22.0	49.9	25	631	620
33194.W0436	Stainless 1.4542	25	30.8	28	120	22.0	49.9	25	631	657
33194.W0438	Stainless 1.4542	25	30.8	28	140	22.0	49.9	25	631	732
33194.W0439	Stainless 1.4542	25	30.8	28	150	22.0	49.9	25	631	770
33194.W3100	Stainless 1.4542	16	19.0	20	120	14.0	39.5	16	257	263
33194.W3101	Stainless 1.4542	16	19.0	20	130	14.0	39.5	16	257	279
33194.W3102	Stainless 1.4542	16	19.0	20	140	14.0	39.5	16	257	295
33194.W3103	Stainless 1.4542	16	19.0	20	150	14.0	39.5	16	257	310



BALL LOCK PINS & QUICK RELEASE PINS



Sound Rigging Systems

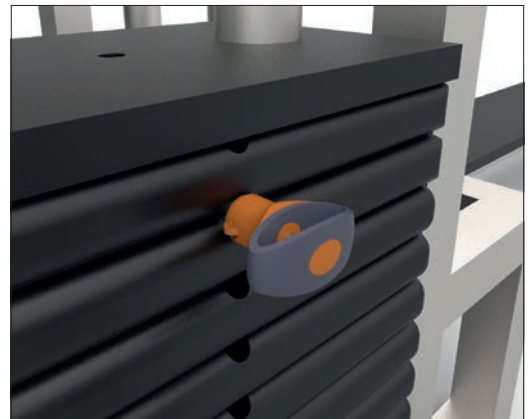
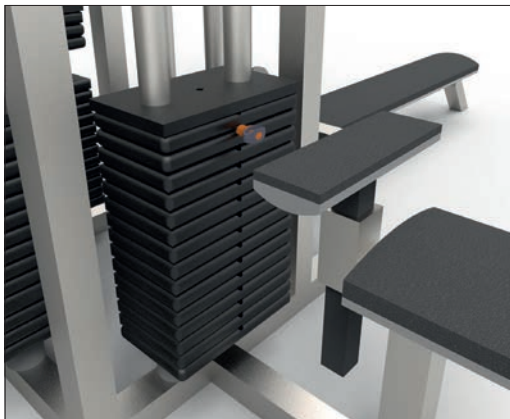
Ball lock pins on a sound rigging system. Offering secure fixing with high shear forces and easy fitting for operators at heights.

In addition full black powder coating of grip and actuation button eliminates glare from other stage lighting.

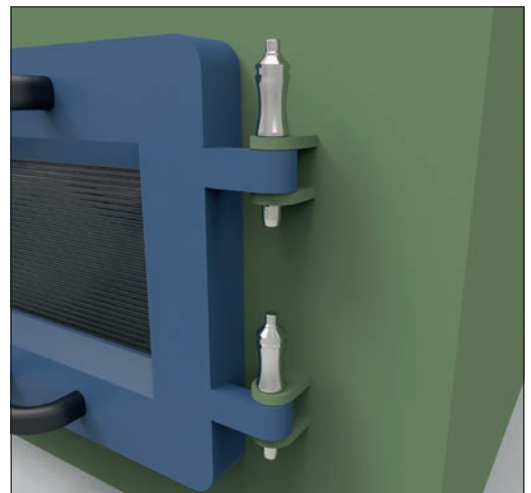
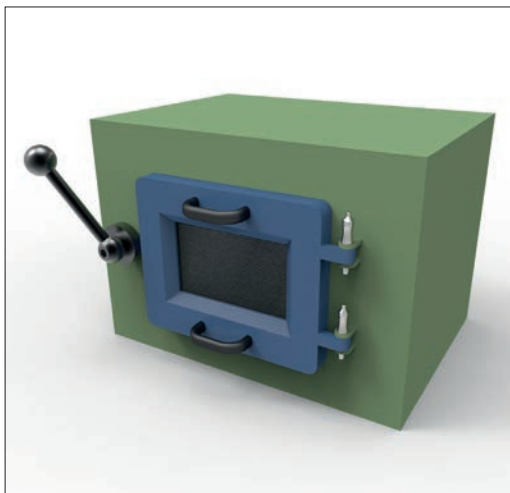


BALL LOCK PINS & QUICK RELEASE PINS

Gym Equipment



Scientific and Medical





Wixroyd Ball Lock Pins

features

33060 - 33250

Positioning Elements

BALL LOCK PINS & QUICK RELEASE PINS

1.4305 (AISI 303) - shear force approx. 60% of higher material version 1.4542

1.4542 (AISI 630) - identified by the ridge on the pin

CRES 17-4PH (AMS 5643) aviation standard



Pin Material



Plastic tri-star T-handled, metal L-handled, metal Mushroom, metal Single piece metal, contoured

Handle Style

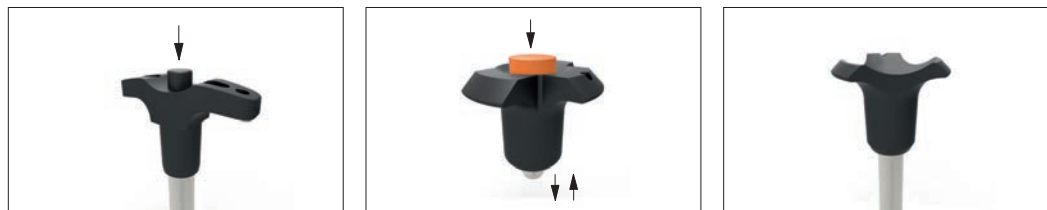


Special plastic self-spring Adjustable grip length, plastic Key ring Safety, metal Mushroom Type B aviation Type R aviation



Stainless wire - (coated) - 2 x key ring Stainless wire - Key ring and fixing loop Plastic - 2 x cable tie Steel wire - (coated) - 2 x key ring Stainless bead chain - 2 x key ring Locating bushes

Lanyards and Locating Bushes



Press = unlock
Release = lock (standard)

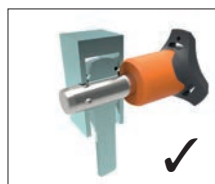
Press = unlock and position
Release = lock and simultaneous clamp

Simple spring loaded balls "pullout pin"

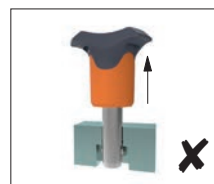
Actuation



Important Note: Ball lock pins are not suited to lifting applications!
For quick release lifting pins, see part 33400.



Shear force



Lifting force

Important Note



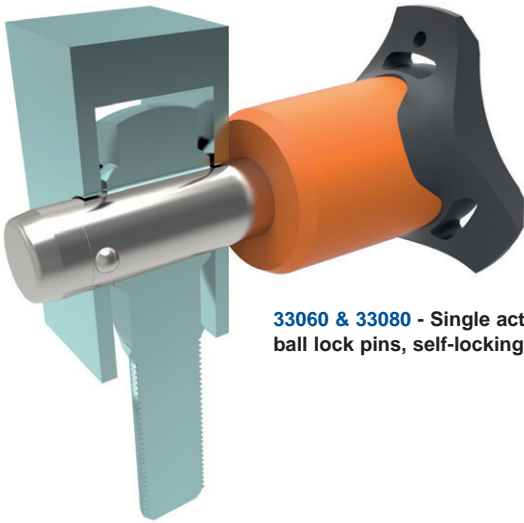
Variations on our standard designs are possible, please contact our sales team for technical assistance. Quick production on specials can be as little as 3 weeks.

Special Variations



Applications

- Positioning.
- Lifting.
- Locking.
- Indexing.
- Joining.



33060 & 33080 - Single acting ball lock pins, self-locking.



33194 - Single acting ball lock pins, self locking, simple finish.



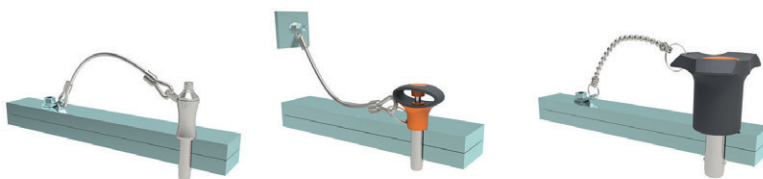
33140 - Socket pins, non-locking, spring loaded balls.



33100 - Single acting ball lock pin, self locking.



33180 - Clamping pins, with span compensation, self-locking.



33250 & 33270 - Lanyards.



33220 - Ball lock pins, single acting - L-handle