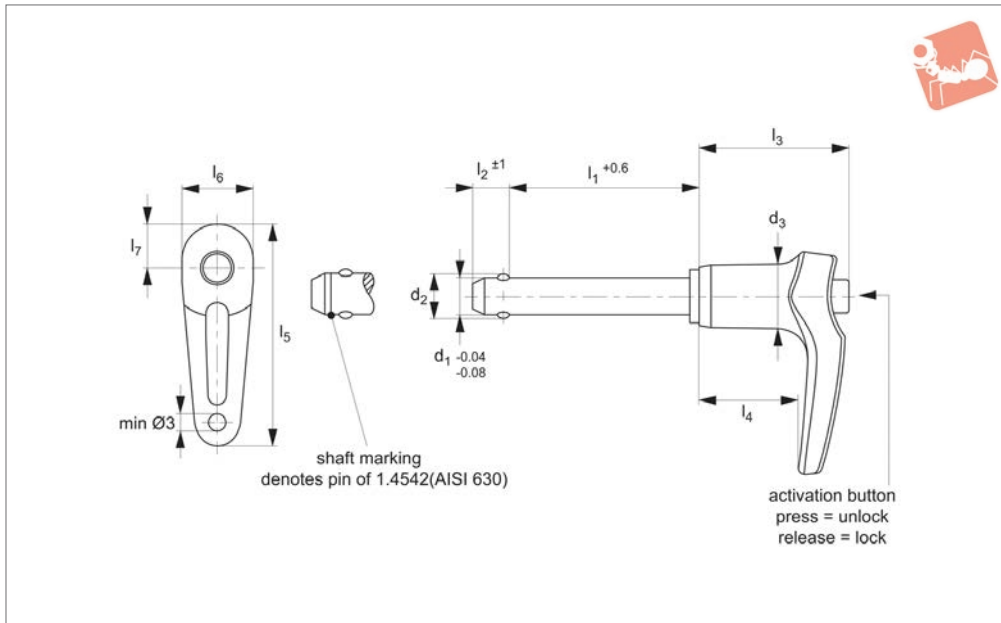




Ball Lock Pins - Single Acting - L- self-locking - stainless 1.4542

Ball Lock Pins & Quick Release



33220.2

BALL LOCK PINS & QUICK RELEASE PINS

Material

Pin: stainless steel 1.4542 (AISI 630).
Precipitation hardened, blast finish. Offering extreme load capacity. (Marked at end of shaft to denote 1.4542 material).
Ball: stainless steel 1.3541
Handle: aluminium, black (RAL9003).
Spring: stainless steel.

Technical Notes

Pressing = unlocking.
Releasing = locking.
Temperature resistance -30°C to +150°C.
For quick fastening and locking of frequently repeated connections.

Tips

For lanyards & retaining cables see aprt no. 33250. Easy install locating bushes available see part no. 33248.

Important Notes

*Shearing resistance similar to DIN 50141.

Order No.	Material	d ₁	l ₁	d ₂	d ₃	Weight g
33220.W0312	Stainless 1.4542	5	10	5.5	11.8	20
33220.W0313	Stainless 1.4542	5	15	5.5	11.8	21
33220.W0314	Stainless 1.4542	5	20	5.5	11.8	21
33220.W0315	Stainless 1.4542	5	25	5.5	11.8	22
33220.W0316	Stainless 1.4542	5	30	5.5	11.8	23
33220.W0322	Stainless 1.4542	6	10	7.0	11.8	21
33220.W0323	Stainless 1.4542	6	15	7.0	11.8	22
33220.W0324	Stainless 1.4542	6	20	7.0	11.8	23
33220.W0325	Stainless 1.4542	6	25	7.0	11.8	24
33220.W0326	Stainless 1.4542	6	30	7.0	11.8	25
33220.W0327	Stainless 1.4542	6	35	7.0	11.8	26
33220.W0328	Stainless 1.4542	6	40	7.0	11.8	27
33220.W0329	Stainless 1.4542	6	45	7.0	11.8	28
33220.W0330	Stainless 1.4542	6	50	7.0	11.8	29
33220.W0334	Stainless 1.4542	8	20	9.5	14.7	37
33220.W0335	Stainless 1.4542	8	25	9.5	14.7	39
33220.W0336	Stainless 1.4542	8	30	9.5	14.7	41
33220.W0337	Stainless 1.4542	8	35	9.5	14.7	43
33220.W0338	Stainless 1.4542	8	40	9.5	14.7	45
33220.W0339	Stainless 1.4542	8	45	9.5	14.7	46
33220.W0340	Stainless 1.4542	8	50	9.5	14.7	48
33220.W0344	Stainless 1.4542	10	20	12.0	14.7	44
33220.W0345	Stainless 1.4542	10	25	12.0	14.7	47
33220.W0346	Stainless 1.4542	10	30	12.0	14.7	50
33220.W0347	Stainless 1.4542	10	35	12.0	14.7	53
33220.W0348	Stainless 1.4542	10	40	12.0	14.7	56
33220.W0349	Stainless 1.4542	10	45	12.0	14.7	58
33220.W0350	Stainless 1.4542	10	50	12.0	14.7	62
33220.W0352	Stainless 1.4542	10	60	12.0	14.7	67

Ball Lock Pins & Quick Release

Ball Lock Pins - Single Acting - L- self-locking - stainless 1.4542



BALL LOCK PINS & QUICK RELEASE PINS

Order No.	Material	d ₁	l ₁	d ₂	d ₃	Weight g
33220.W0365	Stainless 1.4542	12	25	14.5	18.2	73
33220.W0366	Stainless 1.4542	12	30	14.5	18.2	77
33220.W0367	Stainless 1.4542	12	35	14.5	18.2	82
33220.W0368	Stainless 1.4542	12	40	14.5	18.2	86
33220.W0369	Stainless 1.4542	12	45	14.5	18.2	90
33220.W0370	Stainless 1.4542	12	50	14.5	18.2	94
33220.W0372	Stainless 1.4542	12	60	14.5	18.2	103
33220.W0374	Stainless 1.4542	12	70	14.5	18.2	111
33220.W0376	Stainless 1.4542	12	80	14.5	18.2	120

Order No.	l ₂	l ₃	l ₄	l ₅	l ₆	l ₇	Location hole dia. tol. H11	Shearing resistance kN
33220.W0312	6.0	31.6	21.9	43.8	12.6	8.5	5	24
33220.W0313	6.0	31.6	21.9	43.8	12.6	8.5	5	24
33220.W0314	6.0	31.6	21.9	43.8	12.6	8.5	5	24
33220.W0315	6.0	31.6	21.9	43.8	12.6	8.5	5	24
33220.W0316	6.0	31.6	21.9	43.8	12.6	8.5	5	24
33220.W0322	7.0	31.6	21.9	43.8	12.6	8.5	6	35
33220.W0323	7.0	31.6	21.9	43.8	12.6	8.5	6	35
33220.W0324	7.0	31.6	21.9	43.8	12.6	8.5	6	35
33220.W0325	7.0	31.6	21.9	43.8	12.6	8.5	6	35
33220.W0326	7.0	31.6	21.9	43.8	12.6	8.5	6	35
33220.W0327	7.0	31.6	21.9	43.8	12.6	8.5	6	35
33220.W0328	7.0	31.6	21.9	43.8	12.6	8.5	6	35
33220.W0329	7.0	31.6	21.9	43.8	12.6	8.5	6	35
33220.W0330	7.0	31.6	21.9	43.8	12.6	8.5	6	35
33220.W0334	8.2	35.8	24.4	49.7	15.8	9.9	8	63
33220.W0335	8.2	35.8	24.4	49.7	15.8	9.9	8	63
33220.W0336	8.2	35.8	24.4	49.7	15.8	9.9	8	63
33220.W0337	8.2	35.8	24.4	49.7	15.8	9.9	8	63
33220.W0338	8.2	35.8	24.4	49.7	15.8	9.9	8	63
33220.W0339	8.2	35.8	24.4	49.7	15.8	9.9	8	63
33220.W0340	8.2	35.8	24.4	49.7	15.8	9.9	8	63
33220.W0344	9.6	35.8	24.4	49.7	15.8	9.9	10	100
33220.W0345	9.6	35.8	24.4	49.7	15.8	9.9	10	100
33220.W0346	9.6	35.8	24.4	49.7	15.8	9.9	10	100
33220.W0347	9.6	35.8	24.4	49.7	15.8	9.9	10	100
33220.W0348	9.6	35.8	24.4	49.7	15.8	9.9	10	100
33220.W0349	9.6	35.8	24.4	49.7	15.8	9.9	10	100
33220.W0350	9.6	35.8	24.4	49.7	15.8	9.9	10	100
33220.W0352	9.6	35.8	24.4	49.7	15.8	9.9	10	100
33220.W0365	10.6	35.1	22.7	57.1	20.2	12.6	12	144
33220.W0366	10.6	35.1	22.7	57.1	20.2	12.6	12	144
33220.W0367	10.6	35.1	22.7	57.1	20.2	12.6	12	144
33220.W0368	10.6	35.1	22.7	57.1	20.2	12.6	12	144
33220.W0369	10.6	35.1	22.7	57.1	20.2	12.6	12	144
33220.W0370	10.6	35.1	22.7	57.1	20.2	12.6	12	144
33220.W0372	10.6	35.1	22.7	57.1	20.2	12.6	12	144
33220.W0374	10.6	35.1	22.7	57.1	20.2	12.6	12	144
33220.W0376	10.6	35.1	22.7	57.1	20.2	12.6	12	144



Wixroyd Ball Lock Pins

applications

33060 - 33250
Positioning Elements

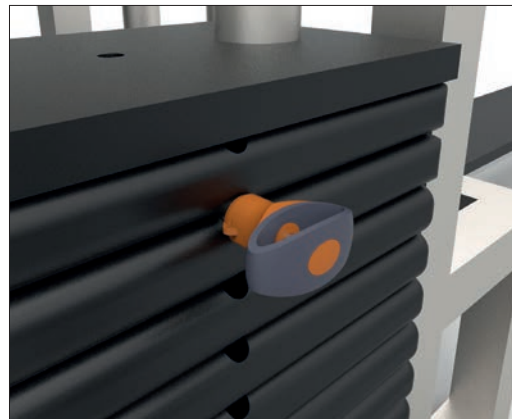


Sound Rigging Systems

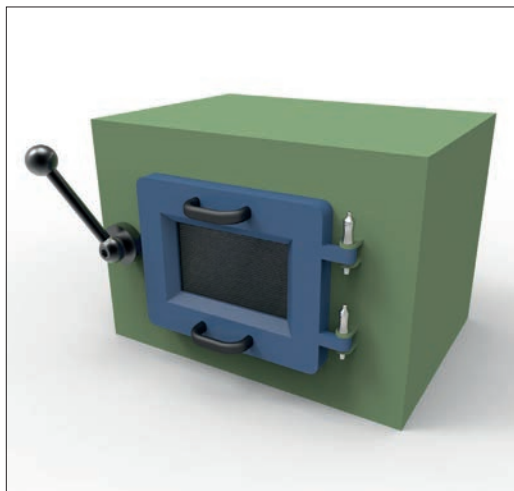
Ball lock pins on a sound rigging system. Offering secure fixing with high shear forces and easy fitting for operators at heights.

In addition full black powder coating of grip and actuation button eliminates glare from other stage lighting.

BALL LOCK PINS & QUICK RELEASE PINS



Gym Equipment



Scientific and Medical

ov-W33060.BK-A-TOR1706-W33250-A-TLA1066-a-rmh - Updated - 27-10-2022



Pin Material

1.4305 (AISI 303) - shear force approx. 60% of higher material version 1.4542

1.4542 (AISI 630) - identified by the ridge on the pin

CRES 17-4PH (AMS 5643) aviation standard



Handle Style



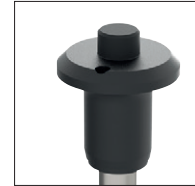
Plastic tri-star



T-handled, metal



L-handled, metal



Mushroom, metal



Single piece metal, contoured



Special plastic self-spring



Adjustable grip length, plastic



Key ring



Safety, metal



Mushroom Type B aviation



Type R aviation

Lanyards and Locating Bushes



Stainless wire - (coated) - 2 x key ring



Stainless wire - Key ring and fixing loop



Plastic - 2 x cable tie



Steel wire - (coated) - 2 x key ring



Stainless bead chain - 2 x key ring



Locating bushes

Actuation



Press = unlock
Release = lock (standard)



Press = unlock and position
Release = lock and simultaneous clamp



Simple spring loaded balls "pullout pin"

Important Note

Important Note: Ball lock pins are not suited to lifting applications!
For quick release lifting pins, see part 33400.



Shear force

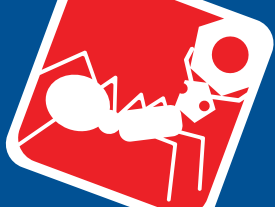


Lifting force

Special Variations

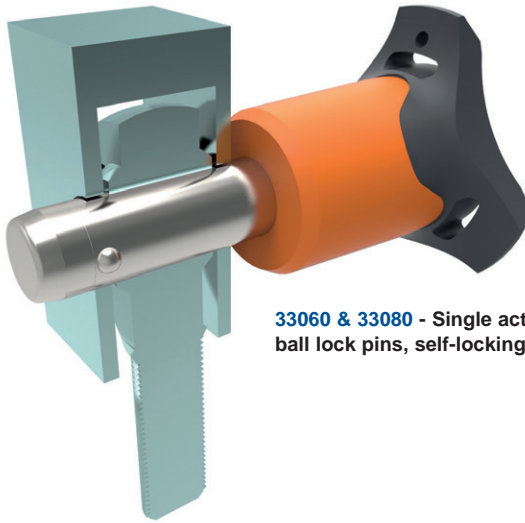


Variations on our standard designs are possible, please contact our sales team for technical assistance. Quick production on specials can be as little as 3 weeks.



Applications

- Positioning.
- Lifting.
- Locking.
- Indexing.
- Joining.



33060 & 33080 - Single acting ball lock pins, self-locking.



33194 - Single acting ball lock pins, self locking, simple finish.



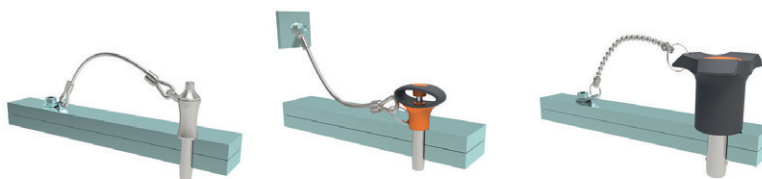
33140 - Socket pins, non-locking, spring loaded balls.



33100 - Single acting ball lock pin, self locking.



33180 - Clamping pins, with span compensation, self-locking.



33250 & 33270 - Lanyards.



33220 - Ball lock pins, single acting - L-handle