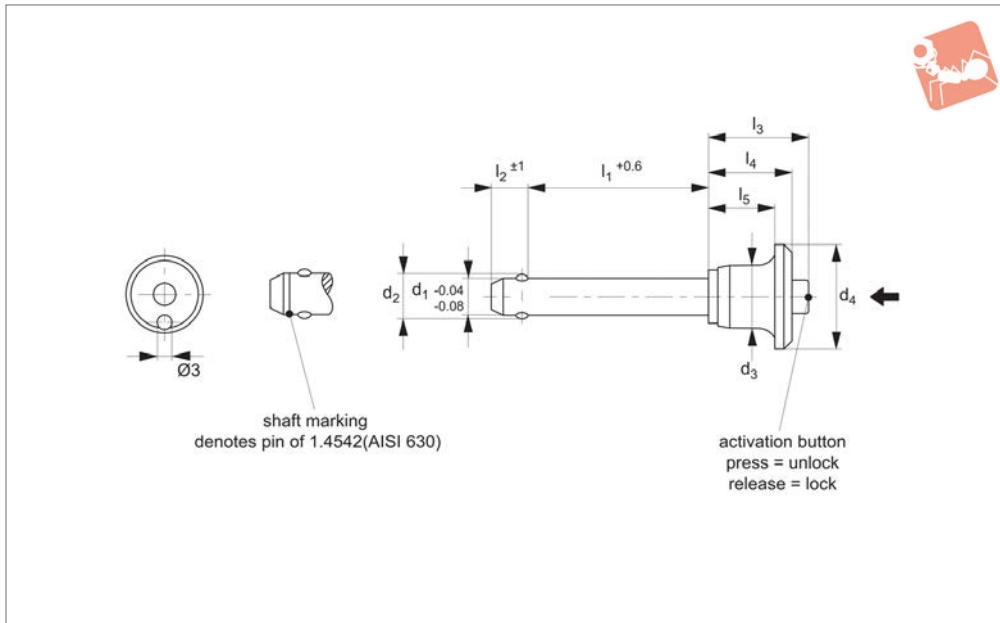




Ball Lock Pins - Mushroom Handle

single acting - self-locking - stainless 1.4305

Ball Lock Pins & Quick Release



33224.1

BALL LOCK PINS & QUICK RELEASE PINS

Material

Pin: Stainless steel 1.4305 (AISI 303).
Ball: stainless steel 1.3541
Spring: stainless steel.
Handle: aluminium, black (RAL9003).

Releasing = locking.
Temperature resistance -30°C to +150°C
For quick fastening and locking of frequently repeated connections.

available see part no. 33248.

Important Notes

*Shearing resistance similar to DIN 50141.

Technical Notes

Pressing = unlocking.

Tips

For lanyards & retaining cables see part no. 33250. Easy install locating bushes

Order No.	Stainless type	d ₁	d ₂	d ₃	d ₄	l ₁	l ₂	l ₃	l ₄	l ₅	Location hole	Shearing resistance, double kN	Weight g
33224.W0085	Stainless 1.4305	16	19.0	23.4	40	120	14.0	42.2	34.5	28.5	16	155	283
33224.W0212	Stainless 1.4305	5	5.5	11.3	20	10	6.0	20.7	17.6	14.6	5	14	12
33224.W0213	Stainless 1.4305	5	5.5	11.3	20	15	6.0	20.7	17.6	14.6	5	14	12
33224.W0214	Stainless 1.4305	5	5.5	11.3	20	20	6.0	20.7	17.6	14.6	5	14	13
33224.W0215	Stainless 1.4305	5	5.5	11.3	20	25	6.0	20.7	17.6	14.6	5	14	14
33224.W0216	Stainless 1.4305	5	5.5	11.3	20	30	6.0	20.7	17.6	14.6	5	14	15
33224.W0221	Stainless 1.4305	6	7.0	11.3	20	80	7.0	20.7	17.6	14.6	6	21	27
33224.W0222	Stainless 1.4305	6	7.0	11.3	20	10	7.0	20.7	17.6	14.6	6	21	13
33224.W0223	Stainless 1.4305	6	7.0	11.3	20	15	7.0	20.7	17.6	14.6	6	21	14
33224.W0224	Stainless 1.4305	6	7.0	11.3	20	20	7.0	20.7	17.6	14.6	6	21	15
33224.W0225	Stainless 1.4305	6	7.0	11.3	20	25	7.0	20.7	17.6	14.6	6	21	16
33224.W0226	Stainless 1.4305	6	7.0	11.3	20	30	7.0	20.7	17.6	14.6	6	21	17
33224.W0227	Stainless 1.4305	6	7.0	11.3	20	35	7.0	20.7	17.6	14.6	6	21	18
33224.W0228	Stainless 1.4305	6	7.0	11.3	20	40	7.0	20.7	17.6	14.6	6	21	19
33224.W0229	Stainless 1.4305	6	7.0	11.3	20	45	7.0	20.7	17.6	14.6	6	21	20
33224.W0230	Stainless 1.4305	6	7.0	11.3	20	50	7.0	20.7	17.6	14.6	6	21	21
33224.W0234	Stainless 1.4305	8	9.5	14.1	25	20	8.2	27.3	22.6	18.6	8	38	28
33224.W0235	Stainless 1.4305	8	9.5	14.1	25	25	8.2	27.3	22.6	18.6	8	38	30
33224.W0236	Stainless 1.4305	8	9.5	14.1	25	30	8.2	27.3	22.6	18.6	8	38	32
33224.W0237	Stainless 1.4305	8	9.5	14.1	25	35	8.2	27.3	22.6	18.6	8	38	34
33224.W0238	Stainless 1.4305	8	9.5	14.1	25	40	8.2	27.3	22.6	18.6	8	38	36
33224.W0239	Stainless 1.4305	8	9.5	14.1	25	45	8.2	27.3	22.6	18.6	8	38	38
33224.W0240	Stainless 1.4305	8	9.5	14.1	25	50	8.2	27.3	22.6	18.6	8	38	40
33224.W0244	Stainless 1.4305	10	12.0	14.1	25	20	9.6	27.3	22.6	18.6	10	60	35
33224.W0245	Stainless 1.4305	10	12.0	14.1	25	25	9.6	27.3	22.6	18.6	10	60	38
33224.W0246	Stainless 1.4305	10	12.0	14.1	25	30	9.6	27.3	22.6	18.6	10	60	40
33224.W0247	Stainless 1.4305	10	12.0	14.1	25	35	9.6	27.3	22.6	18.6	10	60	44
33224.W0248	Stainless 1.4305	10	12.0	14.1	25	40	9.6	27.3	22.6	18.6	10	60	47
33224.W0249	Stainless 1.4305	10	12.0	14.1	25	45	9.6	27.3	22.6	18.6	10	60	50
33224.W0250	Stainless 1.4305	10	12.0	14.1	25	50	9.6	27.3	22.6	18.6	10	60	53



Order No.	Stainless type	d ₁	d ₂	d ₃	d ₄	l ₁	l ₂	l ₃	l ₄	l ₅	Location hole	Shearing resistance, double kN	Weight g
33224.W0252	Stainless 1.4305	10	12.0	14.1	25	60	9.6	27.3	22.6	18.6	10	60	59
33224.W0265	Stainless 1.4305	12	14.5	17.7	35	25	10.6	33.2	27.3	22.3	12	87	69
33224.W0266	Stainless 1.4305	12	14.5	17.7	35	30	10.6	33.2	27.3	22.3	12	87	73
33224.W0267	Stainless 1.4305	12	14.5	17.7	35	35	10.6	33.2	27.3	22.3	12	87	78
33224.W0268	Stainless 1.4305	12	14.5	17.7	35	40	10.6	33.2	27.3	22.3	12	87	82
33224.W0269	Stainless 1.4305	12	14.5	17.7	35	45	10.6	33.2	27.3	22.3	12	87	86
33224.W0270	Stainless 1.4305	12	14.5	17.7	35	50	10.6	33.2	27.3	22.3	12	87	90
33224.W0272	Stainless 1.4305	12	14.5	17.7	35	60	10.6	33.2	27.3	22.3	12	87	99
33224.W0274	Stainless 1.4305	12	14.5	17.7	35	70	10.6	33.2	27.3	22.3	12	87	108
33224.W0276	Stainless 1.4305	12	14.5	17.7	35	80	10.6	33.2	27.3	22.3	12	87	116
33224.W0303	Stainless 1.4305	25	31.0	30.4	50	80	22.0	54.8	43.5	36.5	25	386	547
33224.W0304	Stainless 1.4305	25	31.0	30.4	50	90	22.0	54.8	43.5	36.5	25	386	585
33224.W0306	Stainless 1.4305	25	31.0	30.4	50	110	22.0	54.8	43.5	36.5	25	386	660





Wixroyd Ball Lock Pins

applications

33060 - 33250
Positioning Elements

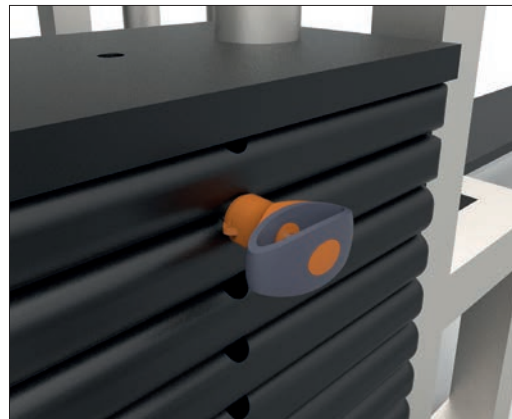
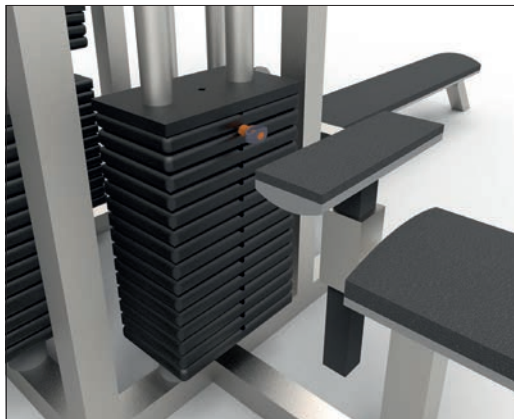


Sound Rigging Systems

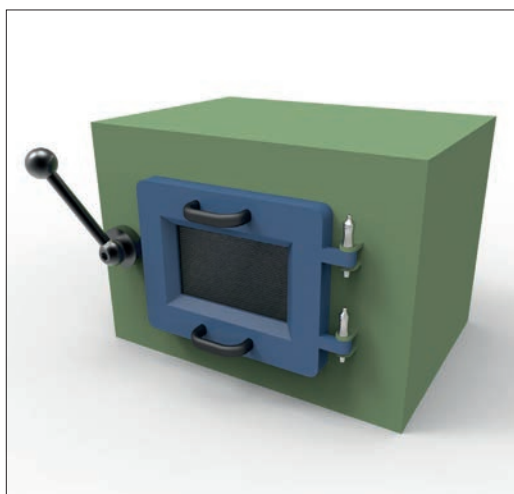
Ball lock pins on a sound rigging system. Offering secure fixing with high shear forces and easy fitting for operators at heights.

In addition full black powder coating of grip and actuation button eliminates glare from other stage lighting.

BALL LOCK PINS & QUICK RELEASE PINS



Gym Equipment



Scientific and Medical

ov-W33060.BK-A-TOR1706-W33250-A-TLA1066-a-rmh - Updated - 27-10-2022



Pin Material

1.4305 (AISI 303) - shear force approx. 60% of higher material version 1.4542

1.4542 (AISI 630) - identified by the ridge on the pin

CRES 17-4PH (AMS 5643) aviation standard



Handle Style



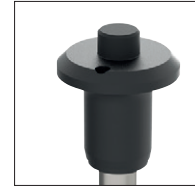
Plastic tri-star



T-handled, metal



L-handled, metal



Mushroom, metal



Single piece metal, contoured



Special plastic self-spring



Adjustable grip length, plastic



Key ring



Safety, metal



Mushroom Type B aviation

Type R aviation

Lanyards and Locating Bushes



Stainless wire - (coated) - 2 x key ring



Stainless wire - Key ring and fixing loop



Plastic - 2 x cable tie



Steel wire - (coated) - 2 x key ring



Stainless bead chain - 2 x key ring



Locating bushes

Actuation



Press = unlock
Release = lock (standard)



Press = unlock and position
Release = lock and simultaneous clamp



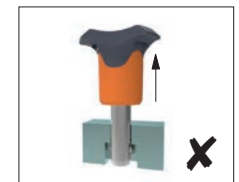
Simple spring loaded balls "pullout pin"

Important Note

Important Note: Ball lock pins are not suited to lifting applications!
For quick release lifting pins, see part 33400.



Shear force



Lifting force

Special Variations

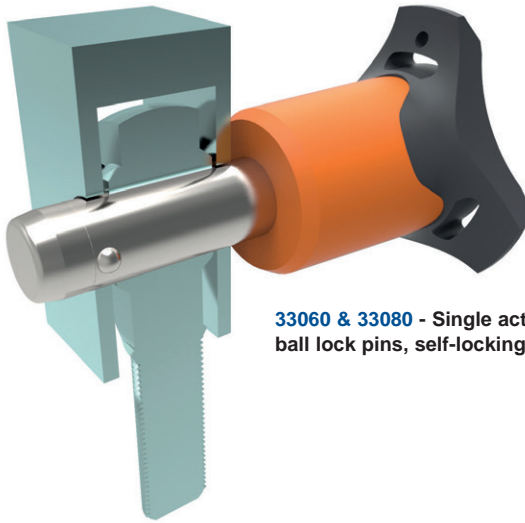


Variations on our standard designs are possible, please contact our sales team for technical assistance. Quick production on specials can be as little as 3 weeks.



Applications

- Positioning.
- Lifting.
- Locking.
- Indexing.
- Joining.



33060 & 33080 - Single acting ball lock pins, self-locking.



33194 - Single acting ball lock pins, self locking, simple finish.



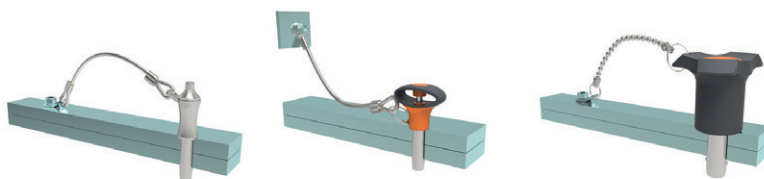
33140 - Socket pins, non-locking, spring loaded balls.



33100 - Single acting ball lock pin, self locking.



33180 - Clamping pins, with span compensation, self-locking.



33250 & 33270 - Lanyards.



33220 - Ball lock pins, single acting - L-handle