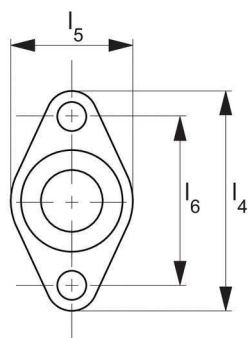
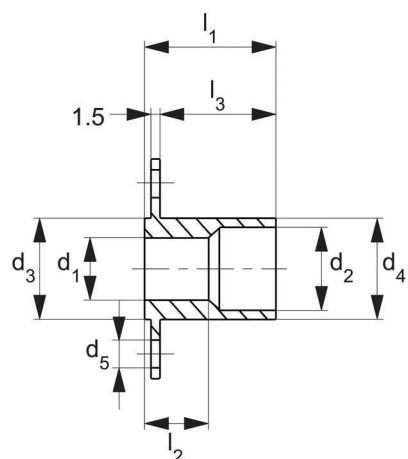


Flange Bushings for Ball Lock pins

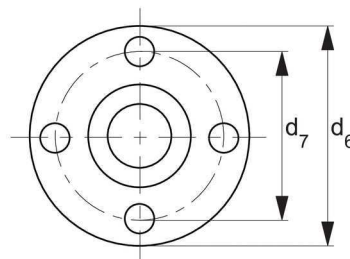
stainless steel



33246



oval flange



round flange



Order No.	Type	For nom. pin dia	d ₁ H11	d ₂	d ₃ -0,05	d ₄ -0,1	d ₅	$\frac{g}{G}$ g
33246.W0305	Oval flange	5	5	8	10	9,9	3,4	6
33246.W0306	Oval flange	6	6	8	10	9,9	3,4	6
33246.W0308	Oval flange	8	8	10	12	11,9	4,5	10
33246.W0310	Oval flange	10	10	13	16	15,9	4,5	19
33246.W0312	Oval flange	12	12	15	19	18,9	4,5	34
33246.W0316	Oval flange	16	16	20	24	23,9	5,5	52
33246.W0405	Round flange	5	5	8	10	9,9	3,4	9
33246.W0406	Round flange	6	6	8	10	9,9	3,4	9
33246.W0408	Round flange	8	8	10	12	11,9	4,5	14
33246.W0410	Round flange	10	10	13	16	15,9	4,5	24
33246.W0412	Round flange	12	12	15	19	18,9	4,5	41
33246.W0416	Round flange	16	16	20	24	23,9	5,5	63

Order No.	d ₆	d ₇	l ₁	l ₂	l ₃	l ₄	l ₅	l ₆
33246.W0305	-	-	12	5,4	9,5	25	15	19
33246.W0306	-	-	13	5,3	10,5	25	15	19
33246.W0308	-	-	19	10,3	16,5	30	18	22
33246.W0310	-	-	21	10,2	18,5	35	20	27
33246.W0312	-	-	27	15,2	24,5	40	24	30
33246.W0316	-	-	30	15,3	27,5	50	30	40
33246.W0405	25	19	12	5,4	9,5	-	-	-
33246.W0406	25	19	13	5,3	10,5	-	-	-
33246.W0408	30	22	19	10,3	16,5	-	-	-
33246.W0410	35	27	21	10,2	18,5	-	-	-
33246.W0412	40	30	27	15,2	24,5	-	-	-
33246.W0416	50	40	30	15,3	27,5	-	-	-

Material

Body: stainless steel 1.4305. (AISI 303).

Technical Notes

For quick and safe location of single acting ball lock pins - especially in soft materials such as aluminium, or in thin walled components. Can be used from both sides. Optimised centering due to precision collar on bush.

Tips

For use with our wide range of metric ball lock pins - see part no.'s 33060 through to 33226.

**33060
-33250**

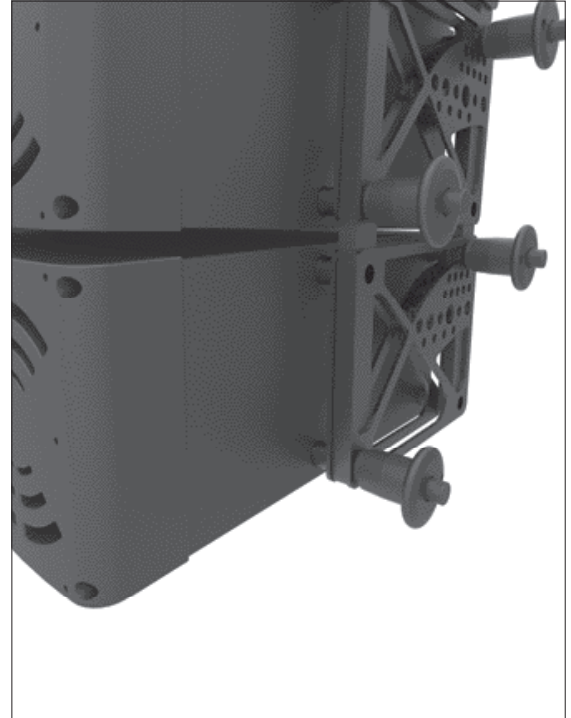
Wixroyd Ball Lock Pins
applications



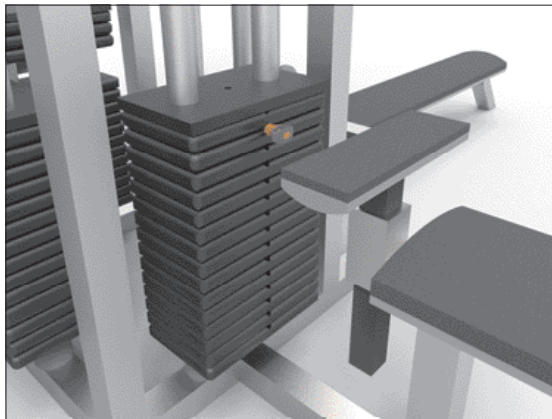
Sound rigging systems

Ball lock pins on a sound rigging system. Offering secure fixing with high shear forces and easy fitting for operators at heights.

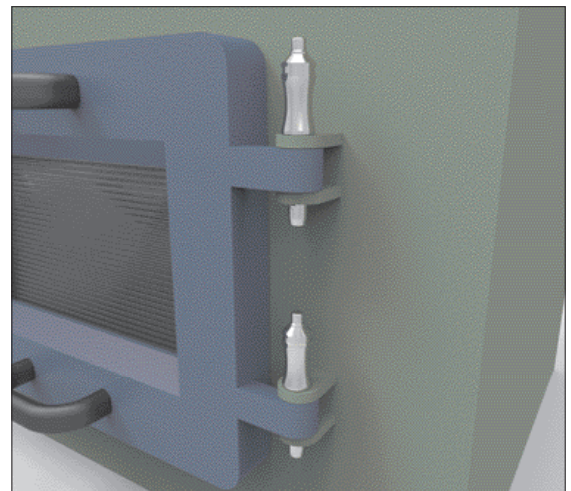
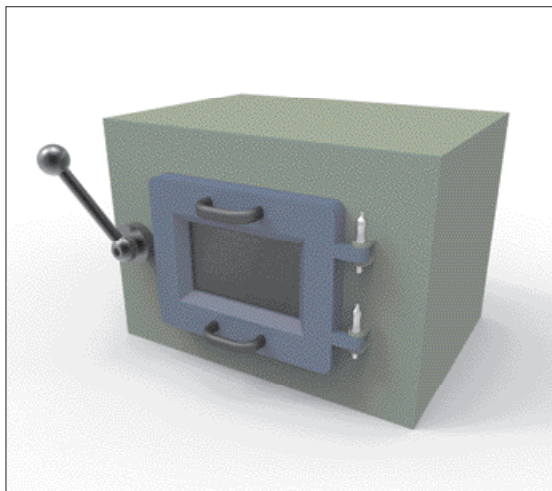
In addition full black powder coating of grip and actuation button eliminates glare from other stage lighting.



Gym equipment



Scientific and medical

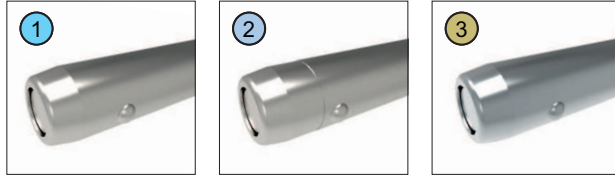


Wixroyd Ball Lock Pins

features



- ① 1.4305 (AISI 303) - shear force approx. 60% of higher material version 1.4542
- ② 1.4542 (AISI 630) - identified by the ridge on the pin
- ③ CRES 17-4PH (AMS 5643) aviation standard



Pin material



Plastic tri-star T-handled, metal L-handled, metal Mushroom, metal Single piece metal, contoured

Handle style



Special plastic self-spring Adjustable grip length, plastic Key ring Safety, metal Mushroom Type B aviation Type R aviation



Stainless wire - (coated) - 2 x key ring Stainless wire - Key ring and fixing loop Plastic - 2 x cable tie Steel wire - (coated) - 2 x key ring Stainless bead chain - 2 x key ring Locating bushes

Lanyards and locating bushes



Press = unlock
Release = lock (standard)

Press = unlock and position
Release = lock and simultaneous clamp

Simple spring loaded balls "pullout pin"

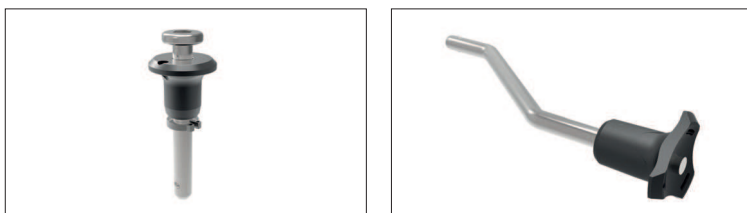
Actuation

Important Note: Ball lock pins are not suited to lifting applications!
For quick release lifting pins, see part 33400.



Shear force Lifting force

Important note



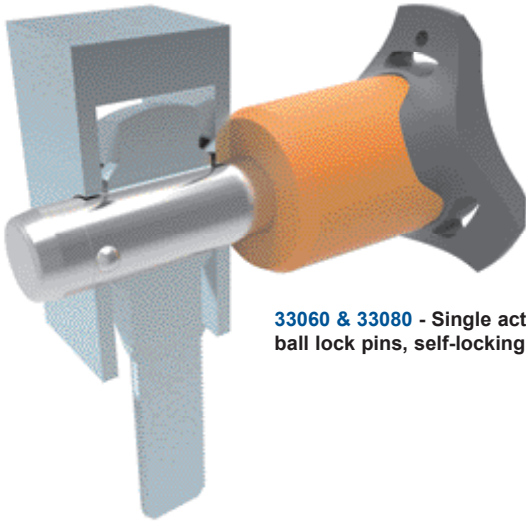
Variations on our standard designs are possible, please contact our sales team for technical assistance. Quick production on specials can be as little as 3 weeks.

Special variations



Applications

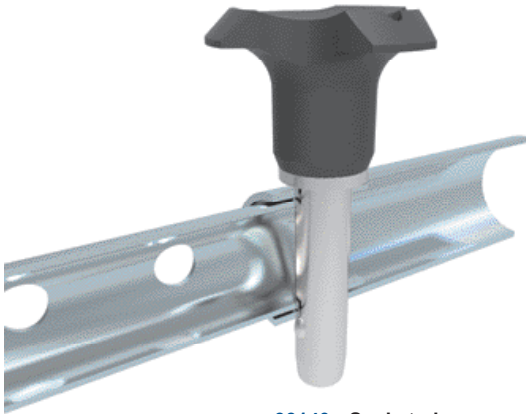
- Positioning.
- Lifting.
- Locking.
- Indexing.
- Joining.



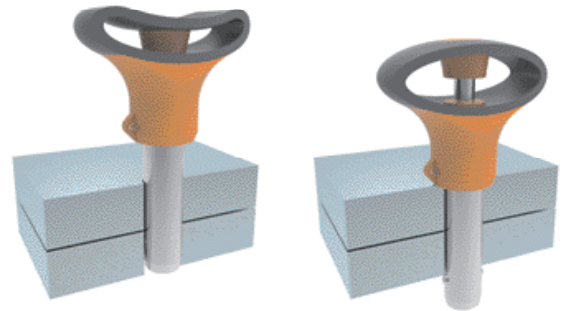
33060 & 33080 - Single acting ball lock pins, self-locking.



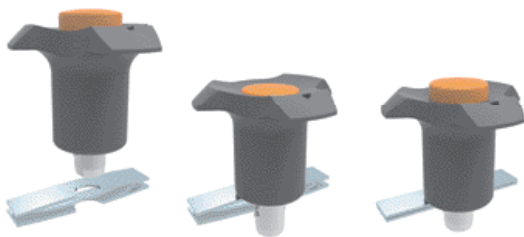
33194 - Single acting ball lock pins, self locking, simple finish.



33140 - Socket pins, non-locking, spring loaded balls.



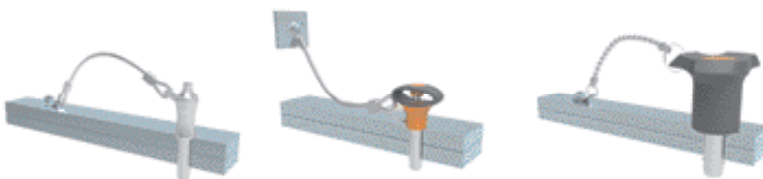
33100 - Single acting ball lock pin, self locking.



33180 - Clamping pins, with span compensation, self-locking.



33220 - Ball lock pins, single acting - L-handle



33250 & 33270 - Lanyards.