

## 33276

BALL LOCK PINS & QUICK RELEASE PINS

### Material

Steel (1008), zinc plated.

### Tips

For use in securing components to assemb-

lies, or to avoid items being misplaced. For a wide range of detent pins and quick release ball lock pins see parts 33010 through 33226. Terminals also available in

AISI 304 stainless steel on request. Subject to min. quantity.

Order No.	Material	Trade size	$d_1$	$l_1$ nom.	$l_2$
33276.W0128	Steel	4	1.8	128	32
33276.W0192	Steel	4	1.8	192	32
33276.W0256	Steel	4	1.8	256	32
33276.W0320	Steel	4	1.8	320	32
33276.W0448	Steel	4	1.8	448	32



**Sound Rigging Systems**

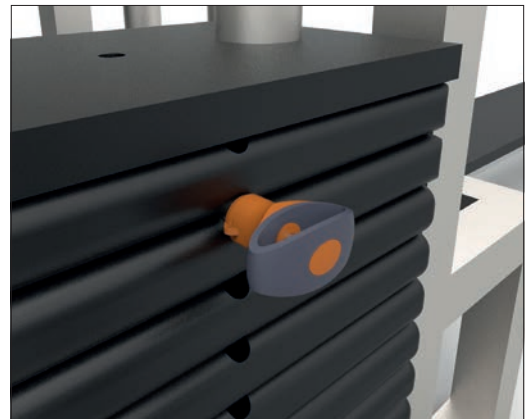
Ball lock pins on a sound rigging system. Offering secure fixing with high shear forces and easy fitting for operators at heights.

In addition full black powder coating of grip and actuation button eliminates glare from other stage lighting.

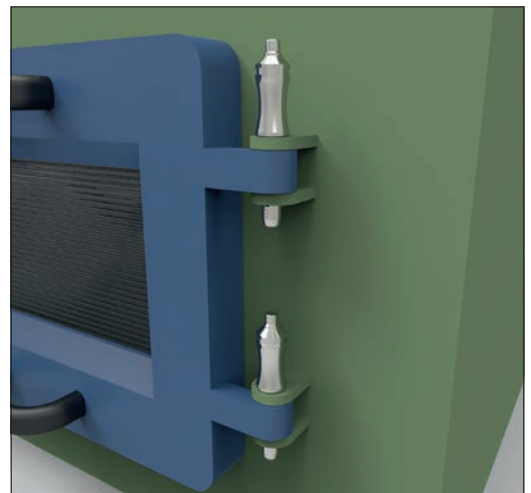


BALL LOCK PINS & QUICK RELEASE PINS

**Gym Equipment**



**Scientific and Medical**





# Wixroyd Ball Lock Pins

features

33060 - 33250

Positioning Elements

BALL LOCK PINS & QUICK RELEASE PINS

1.4305 (AISI 303) - shear force approx. 60% of higher material version 1.4542

1.4542 (AISI 630) - identified by the ridge on the pin

CRES 17-4PH (AMS 5643) aviation standard



## Pin Material



Plastic tri-star    T-handled, metal    L-handled, metal    Mushroom, metal    Single piece metal, contoured

## Handle Style

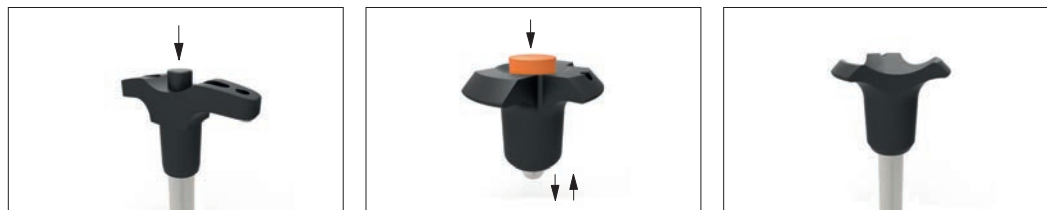


Special plastic self-spring    Adjustable grip length, plastic    Key ring    Safety, metal    Mushroom Type B aviation    Type R aviation



Stainless wire - (coated) - 2 x key ring    Stainless wire - Key ring and fixing loop    Plastic - 2 x cable tie    Steel wire - (coated) - 2 x key ring    Stainless bead chain - 2 x key ring    Locating bushes

## Lanyards and Locating Bushes



Press = unlock  
Release = lock (standard)

Press = unlock and position  
Release = lock and simultaneous clamp

Simple spring loaded balls "pullout pin"

## Actuation

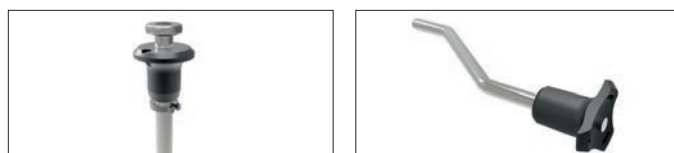


**Important Note: Ball lock pins are not suited to lifting applications!**  
For quick release lifting pins, see part 33400.

Shear force

Lifting force

## Important Note



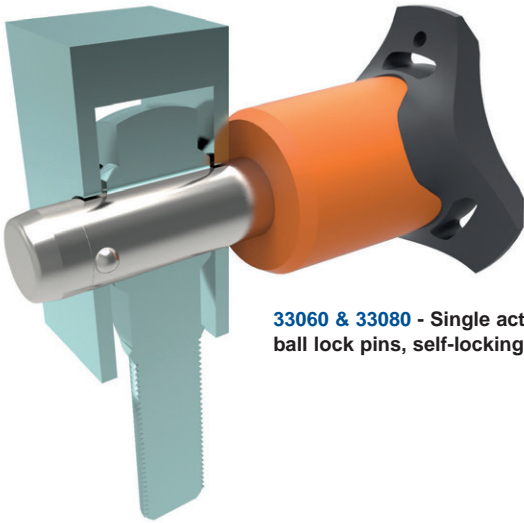
Variations on our standard designs are possible, please contact our sales team for technical assistance. Quick production on specials can be as little as 3 weeks.

## Special Variations



### Applications

- Positioning.
- Lifting.
- Locking.
- Indexing.
- Joining.



**33060 & 33080** - Single acting ball lock pins, self-locking.



**33194** - Single acting ball lock pins, self locking, simple finish.



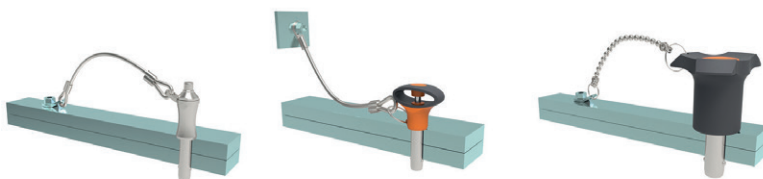
**33140** - Socket pins, non-locking, spring loaded balls.



**33100** - Single acting ball lock pin, self locking.



**33180** - Clamping pins, with span compensation, self-locking.



**33250 & 33270** - Lanyards.



**33220** - Ball lock pins, single acting - L-handle