

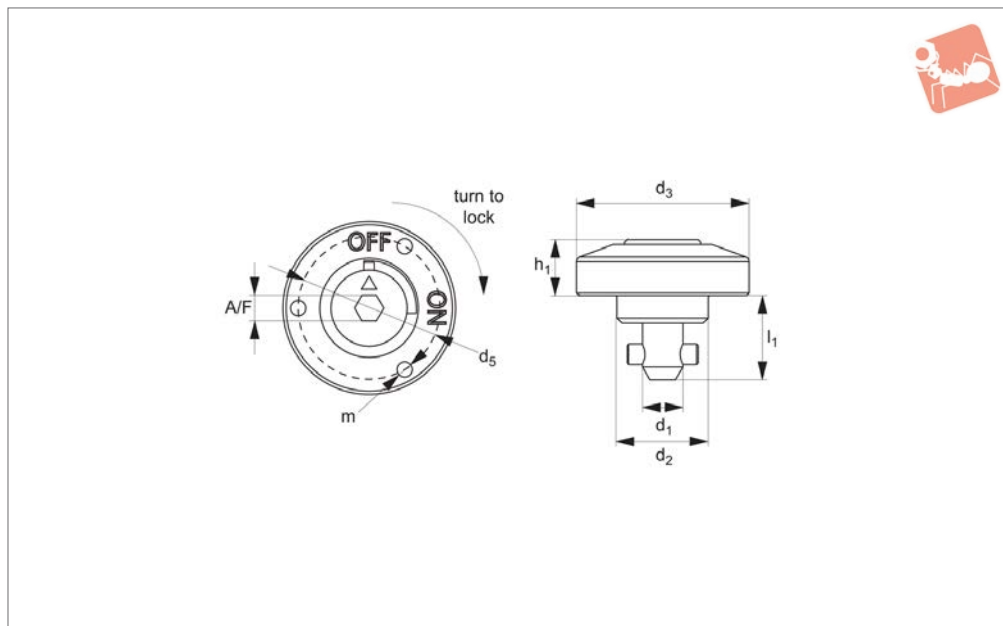


# One-Touch Fastener - Cam Locking

quarter turn - low height - hex key - steel



## One Touch Fasteners



**33945**

ONE TOUCH FASTENERS

### Material

Body: stainless steel SUS303.  
Shank: steel, nickel plated.  
Pin: stainless SUS 304.

### Technical Notes

One-touch fasteners are the ideal solution for applications requiring rapid and recurring change over of tooling or set ups. Use in applications as diverse as bottling processes, machine covers, changing of

cogs and drive belts. One-touch fasteners provide a quick, simple and secure change over solution - no time wasted in unfastening screws or other permanent fixings, and no opportunity for lost fixings in your machinery.

Temperature resistant to 200°C.

### Important Notes

Suitable for panels/enclosures of 6 to 20 mm thickness. For locating bushes see part

no. 33948 and 33949.

### Actuation:

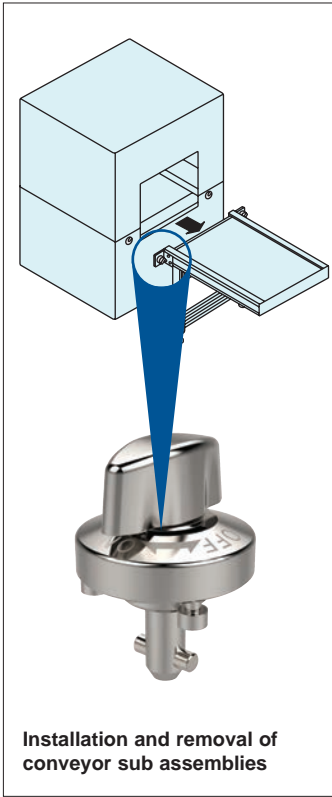
-Use suitable hex key to turn lock to off position. Present cover panel to frame and align to locking bush.

-With the hex key, now turn the lock back 45° to the on position; locking pin follows, tightening fastener and fastening panel.

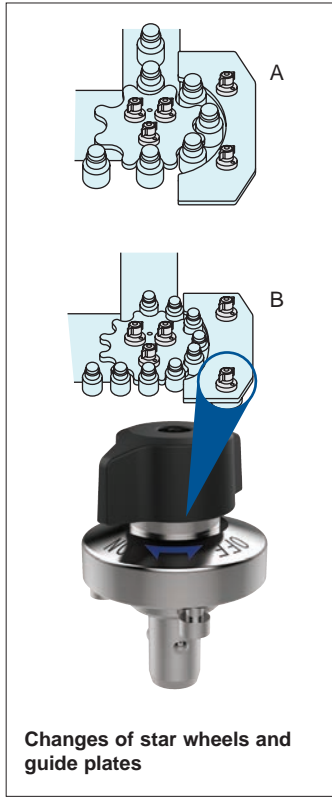
Order No.	For single panel thickness	Clamping force N	d <sub>1</sub> -0.04,   - tol. h9 0.08	d <sub>2</sub>	d <sub>3</sub>	l <sub>1</sub>	h <sub>1</sub>	m	Shear strength N	Tensile strength N	A/F	Weight g
<b>33945.W1005</b>	6 - 10	60	5	14	25	15,5	8	M 2x0,4	1800	1200	4	30
<b>33945.W1408</b>	6 - 14	90	8	18	34	17,0	11	M 3x0,5	3200	2600	5	105
<b>33945.W2008</b>	12 - 20	90	8	18	34	23,0	11	M 3x0,5	3200	2600	5	110



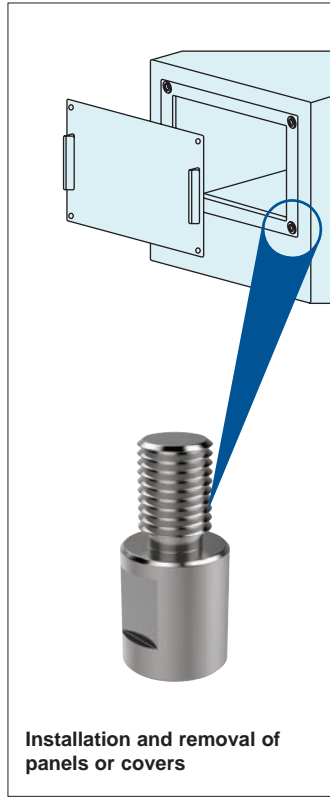
One-Touch Fasteners - Alternatives to Screws



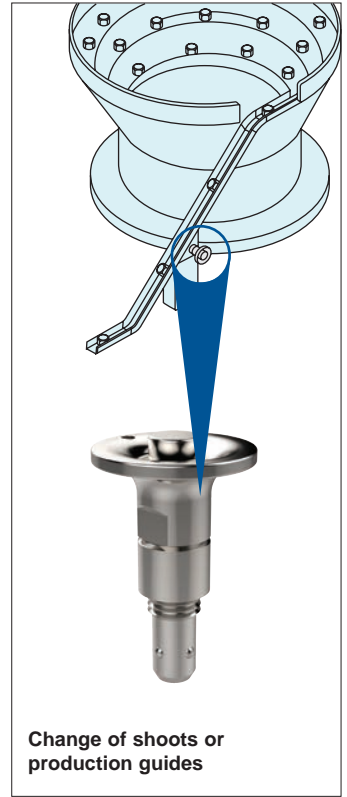
Installation and removal of conveyor sub assemblies



Changes of star wheels and guide plates



Installation and removal of panels or covers



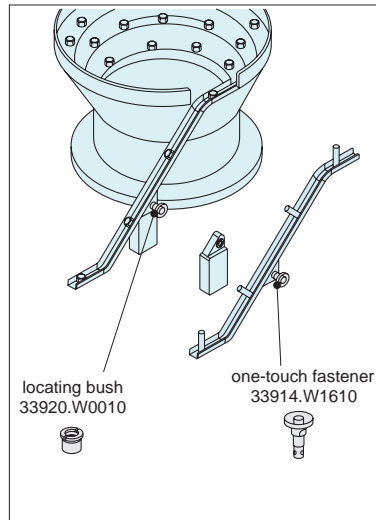
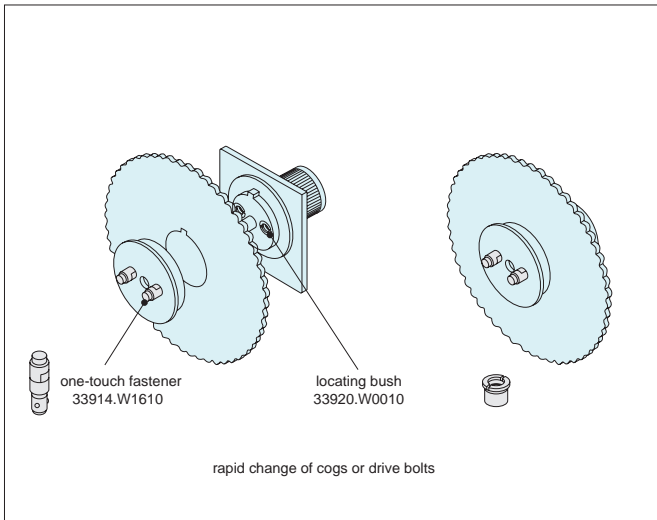
Change of shoots or production guides

Easy & Secure! For Quick Changeover with No Tools!



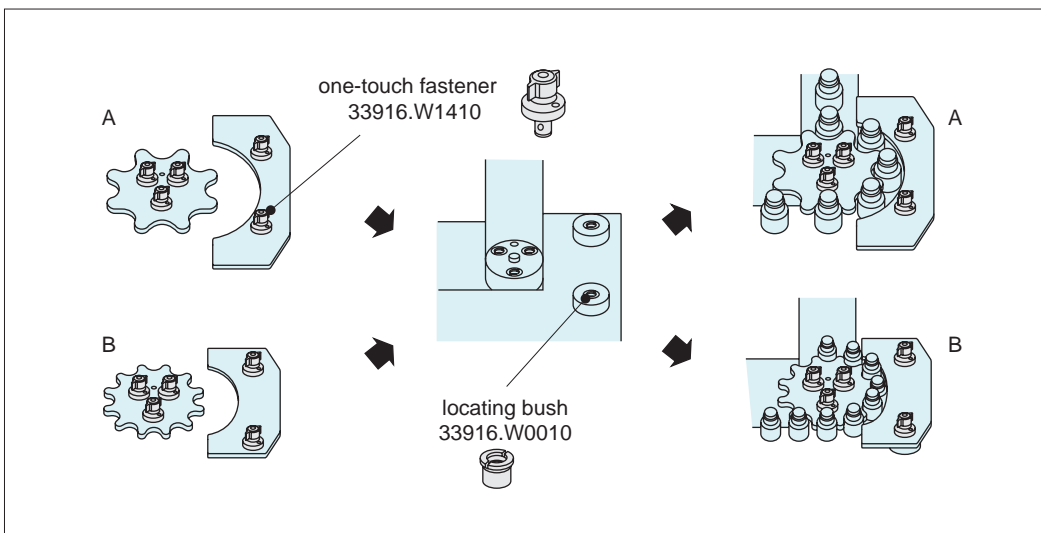


### One-Touch Change Over

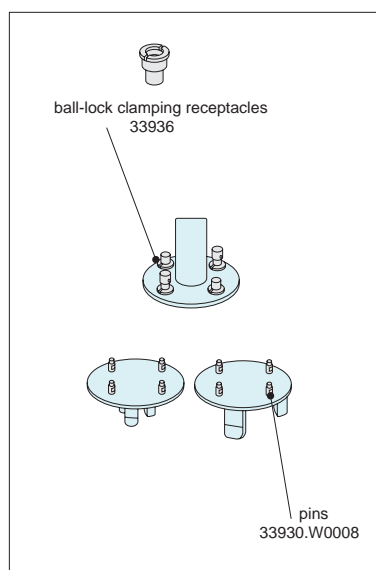
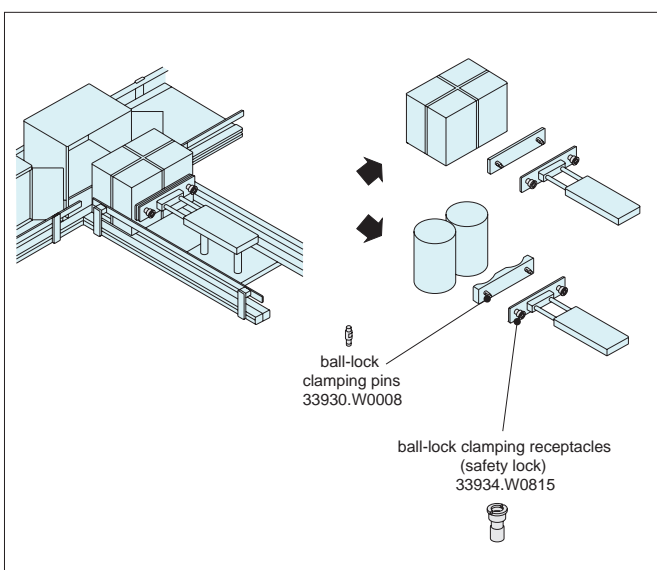


### Installation and Removal of Rotary Blades and Changes of Shooters

ONE TOUCH FASTENERS



### Changes of Star Wheels and Guide Plates



### Changes of Pusher and Changes of Chuck Handling Machines

ov-W33910-A-T-W33956-A-T-one-touch-fasteners-b-rmh - Updated - 27-10-2022