

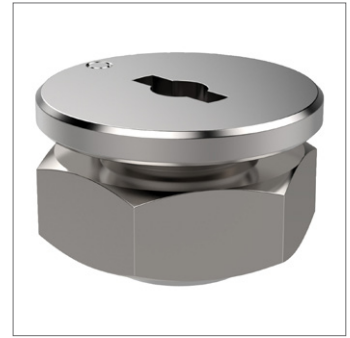
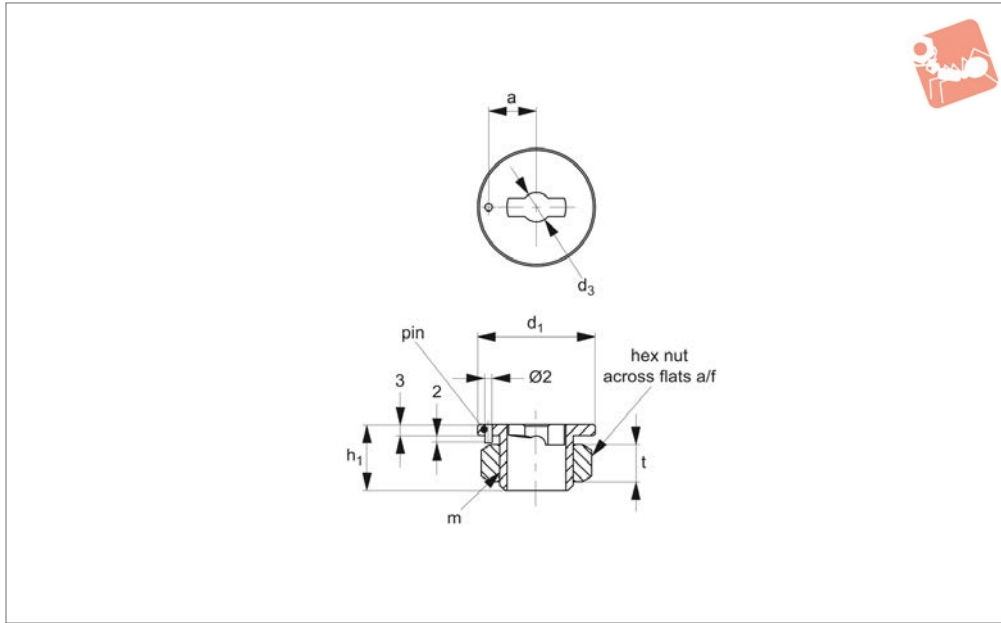


One-Touch Fastener - Cam Locking

thin plate locating bush for quarter turn



One Touch Fasteners



33948

ONE TOUCH FASTENERS

Material

Body: steel, nickel plated or stainless steel.

Nut: stainless steel.

Technical Notes

Used in conjunction with one-touch fasteners 33940 to 33946, locating bushes 33948 provide secure fastening of panels

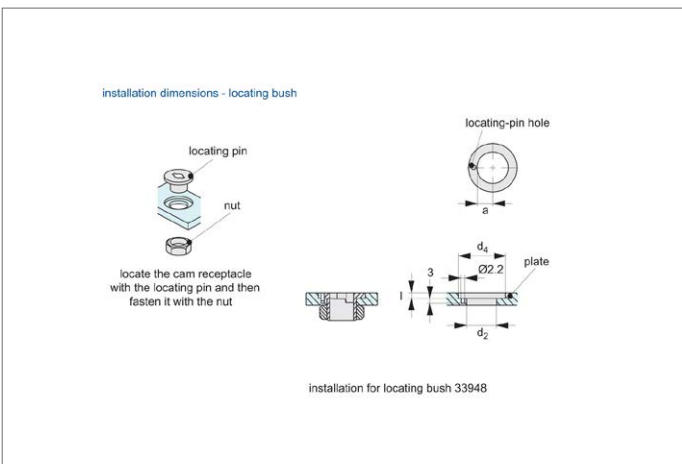
and covers. Locating bushes are of particular use in soft metals, such as aluminium where receiving surfaces may wear. One-touch fasteners are the ideal solution for applications requiring rapid and recurring change over of tooling or set ups. Use in applications as diverse as bottling processes, machine covers, changing of

cogs and drive belts. Temperature resistant to 200°C.

Important Notes

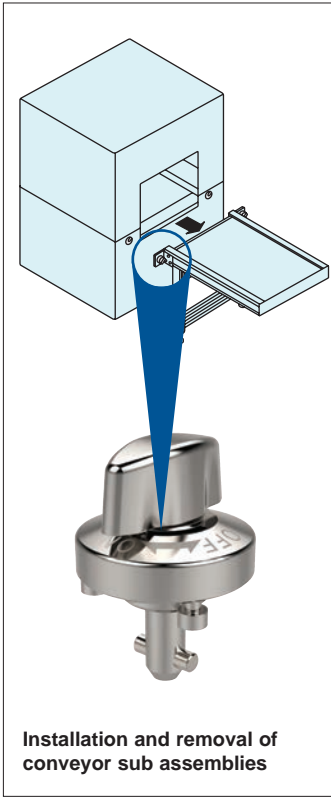
Suitable for panels/enclosures of 6 to 12 mm thickness. For one-touch fasteners see part nos. 33940 to 33946. For installation instructions see technical page.

Order No.	For single panel thickness	Material	d_1 -0.04 -0.08	d_2	d_3 +0.08 +0.04	d_4 +0.10 +0.05	a ±0.1	l_1	h_1	m	t	A/F	Weight g
33948.W0005	6-10	Steel	25	15	5	25	10,5	3,5	16	M14x1,5	8	22	40
33948.W0008	6-12	Steel	32	21	8	32	13,0	3,5	18	M20x1,5	10	30	55
33948.W0105	6-10	Stainless Steel	25	15	5	25	10,5	3,5	16	M14x1,5	8	22	40
33948.W0108	6-12	Stainless Steel	32	21	8	32	13,0	3,5	18	M20x1,5	10	30	55

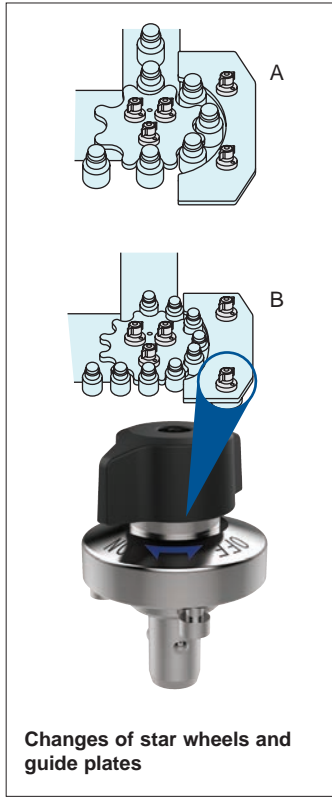




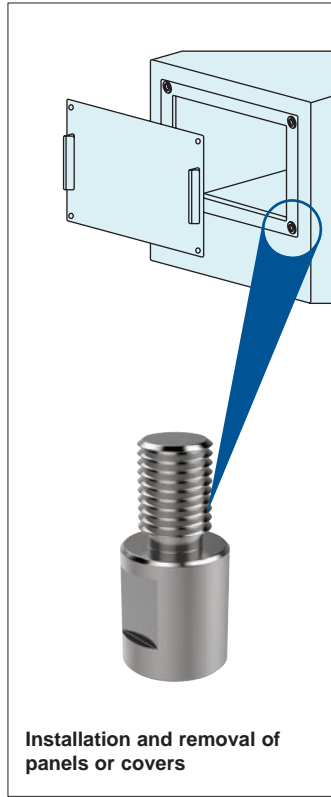
One-Touch Fasteners - Alternatives to Screws



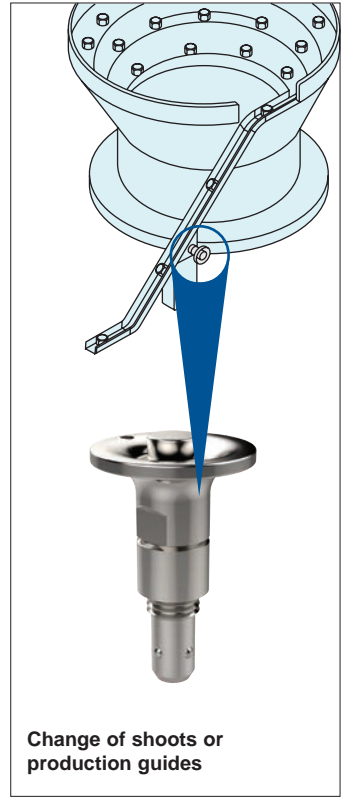
Installation and removal of conveyor sub assemblies



Changes of star wheels and guide plates



Installation and removal of panels or covers



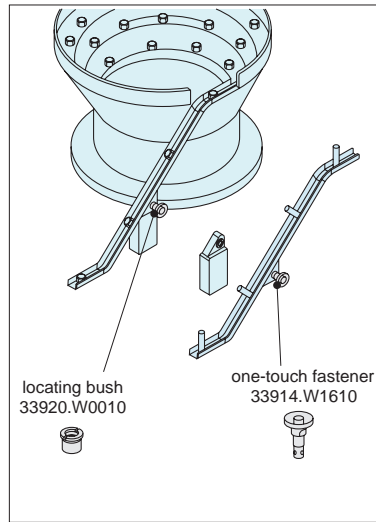
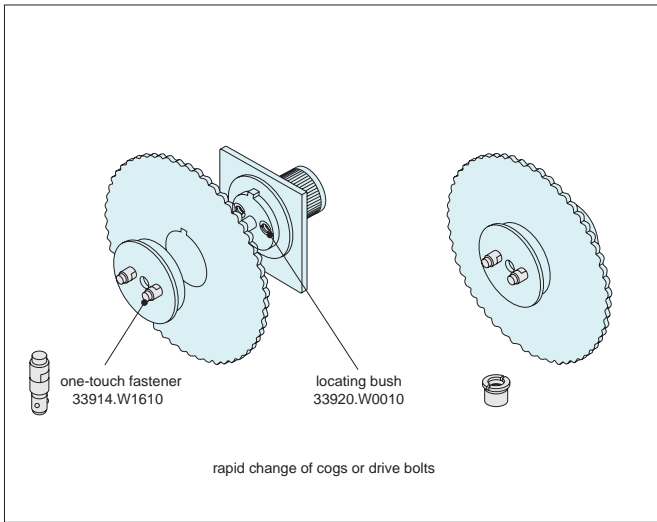
Change of shoots or production guides

Easy & Secure! For Quick Changeover with No Tools!



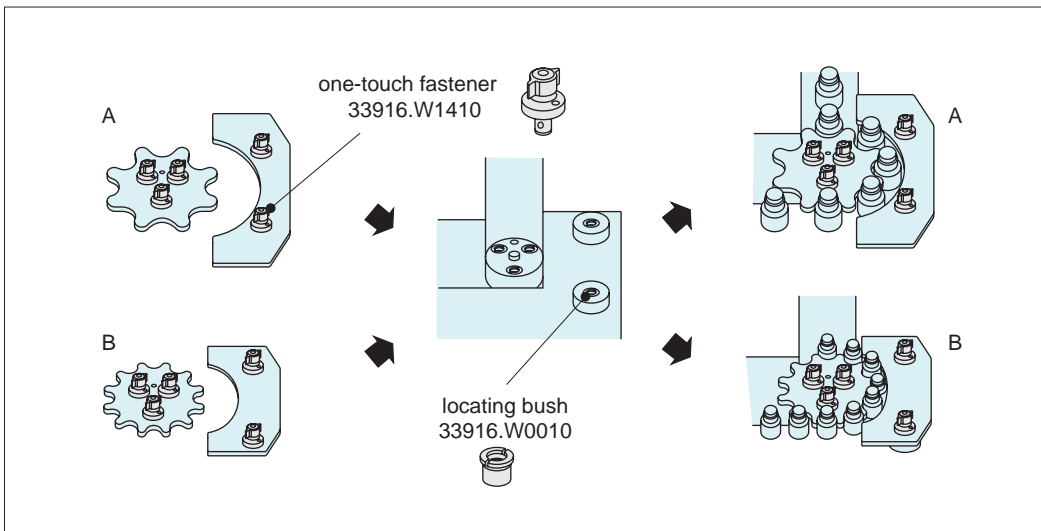


One-Touch Change Over

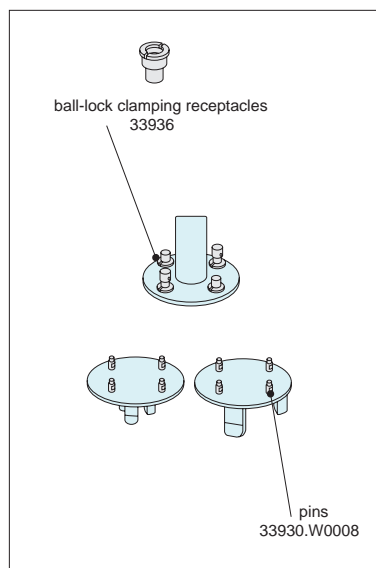
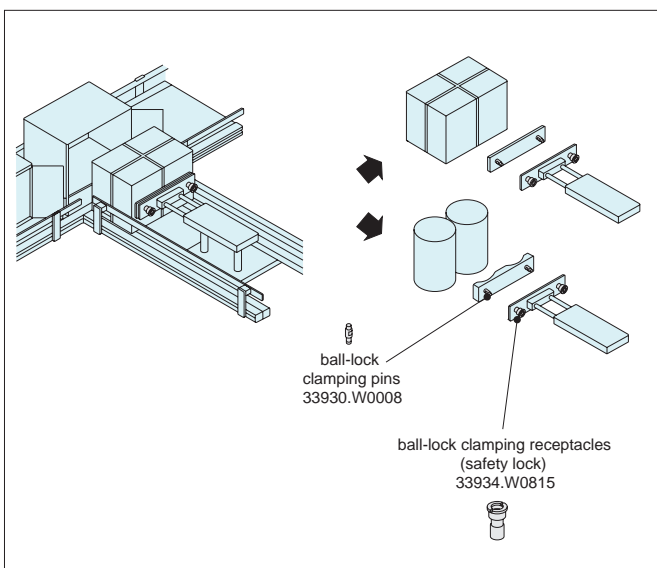


Installation and Removal of Rotary Blades and Changes of Shooters

ONE TOUCH FASTENERS



Changes of Star Wheels and Guide Plates



Changes of Pusher and Changes of Chuck Handling Machines

ov-W33910-A-T-W33956-A-T-one-touch-fasteners-b-rmh - Updated - 27-10-2022