

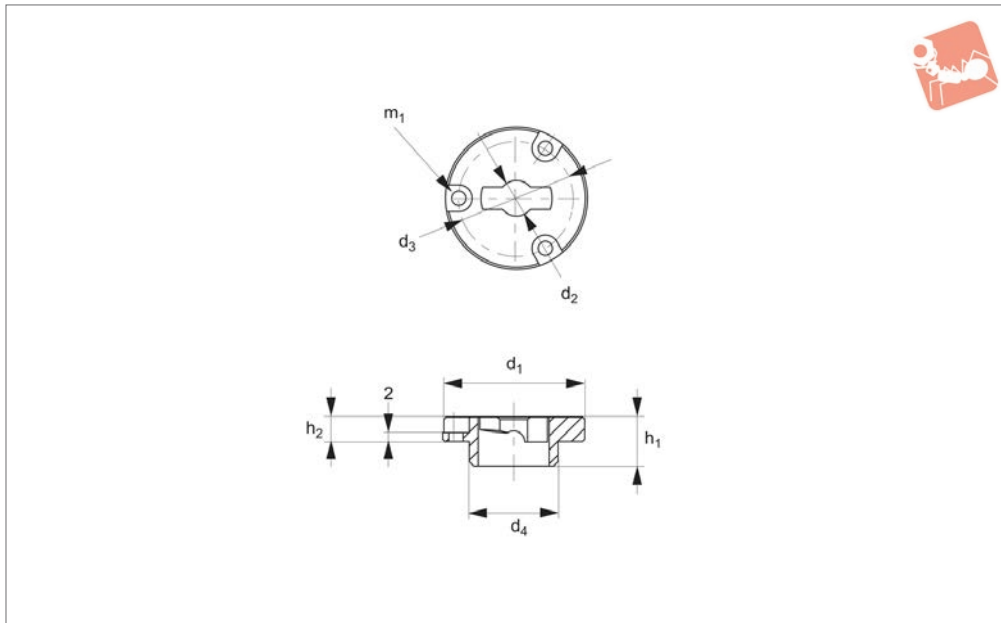


One-Touch Fastener - Cam Locking

flush fit locating bush for 33940, 33942 and 33944



One Touch Fasteners



33949

ONE TOUCH FASTENERS

Material

Body: steel, nickel plated or stainless steel.

Technical Notes

Used in conjunction with one-touch fasteners 33940 to 33946, locating bushes 3394820 provide secure fastening of panels and covers. Locating bushes are of

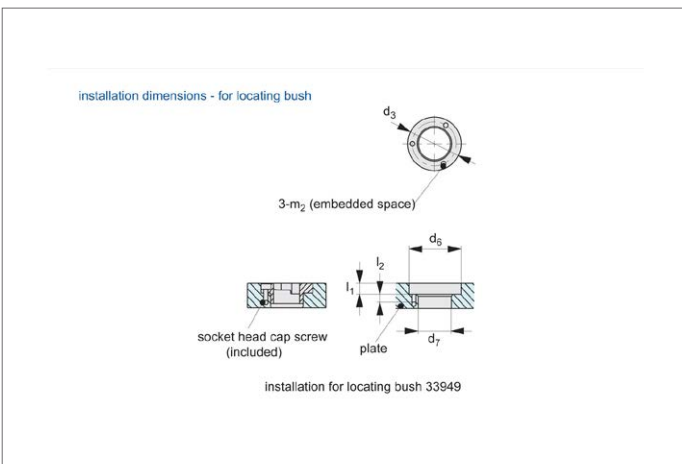
particular use in soft metals, such as aluminium where receiving surfaces may wear. One-touch fasteners are the ideal solution for applications requiring rapid and recurring change over of tooling or set ups. Use in applications as diverse as bottling processes, machine covers, changing of cogs and drive belts.

Temperature resistant to 200°C.

Important Notes

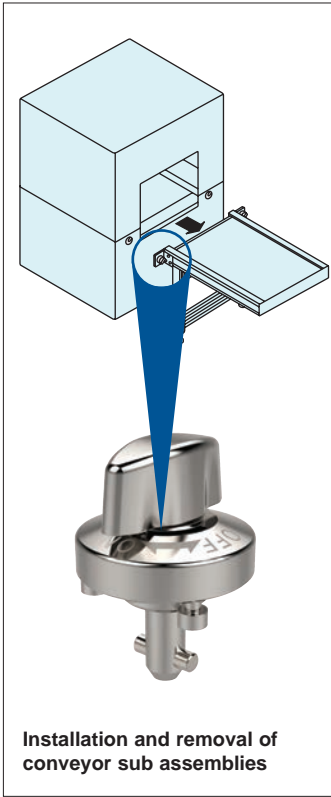
Suitable for panels/enclosures of 6 to 12 mm thickness. For one-touch fasteners see part nos. 33940 to 33946. For installation instructions see technical page.

Order No.	For single panel thickness	Material	d ₁	d ₂	d ₃	d ₄ -0.04 - 0.08	d ₆	d ₇	l ₁	l ₂	h ₂	m ₁	m ₂	Weight g
33949.W0005	>10	Steel	25	5	21	14	26	14	5	4	4,5	M 2	M 2x0,4	20
33949.W0008	>12	Steel	32	8	26	20	33	20	6	5	5,5	M 3	M 3x0,5	35
33949.W0105	>10	Stainless Steel	25	5	21	14	26	14	5	4	4,5	M 2	M 2x0,4	20
33949.W0108	>12	Stainless Steel	32	8	26	20	33	20	6	5	5,5	M 3	M 3x0,5	35

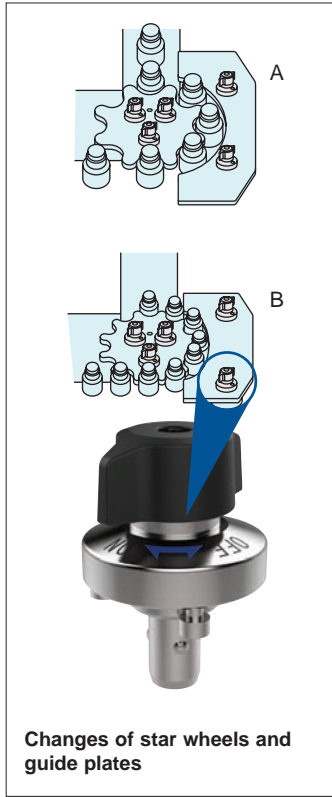




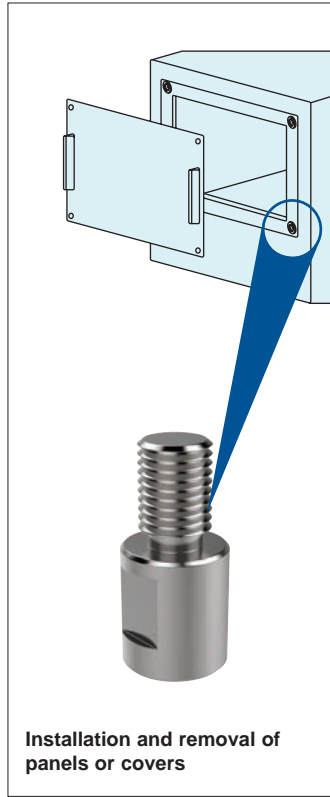
One-Touch Fasteners - Alternatives to Screws



Installation and removal of
conveyor sub assemblies



Changes of star wheels and
guide plates



Installation and removal of
panels or covers



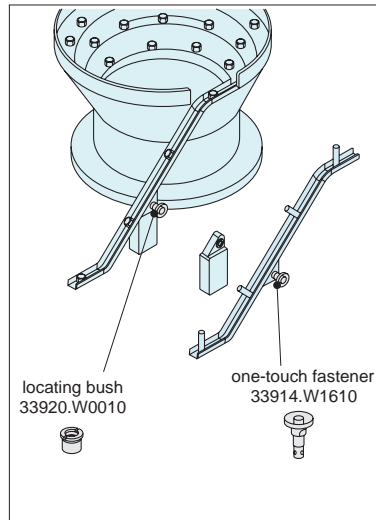
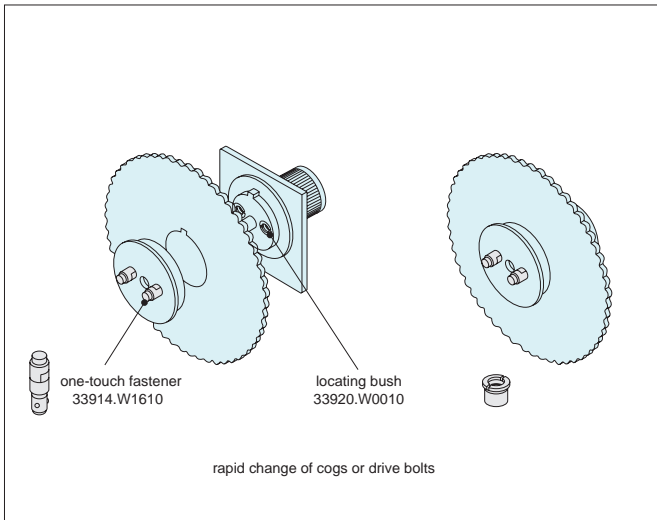
Change of shoots or
production guides

Easy & Secure! For Quick Changeover with No Tools!



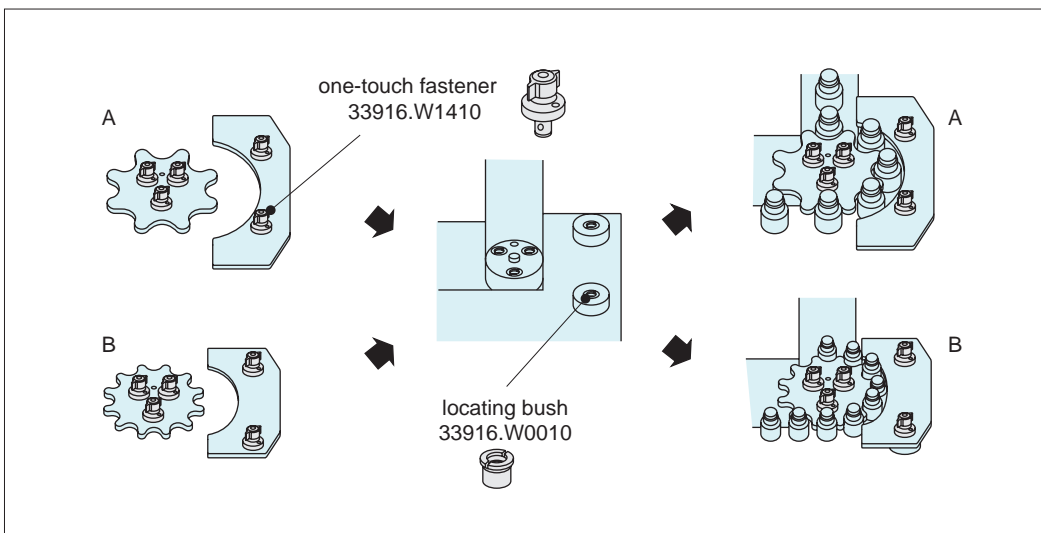


One-Touch Change Over

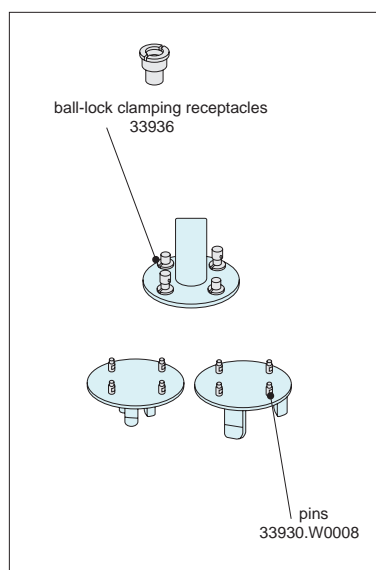
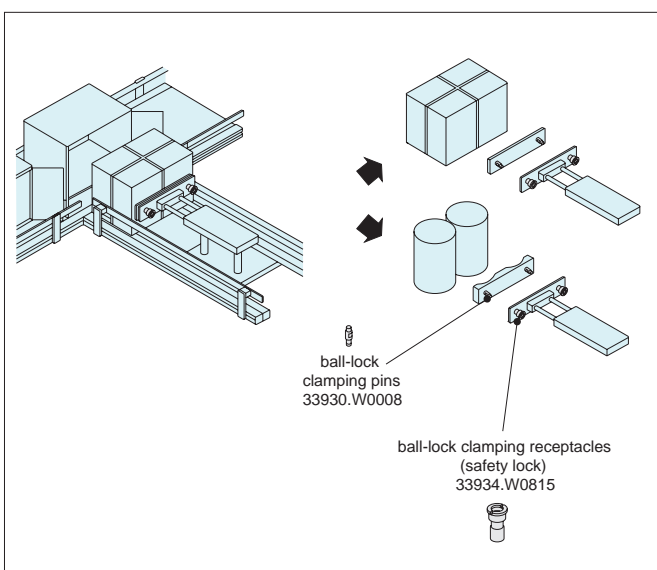


Installation and Removal of Rotary Blades and Changes of Shooters

ONE TOUCH FASTENERS



Changes of Star Wheels and Guide Plates



Changes of Pusher and Changes of Chuck Handling Machines

ov-W33910-A-T-W33956-A-T-one-touch-fasteners-b-rmh - Updated - 27-10-2022