

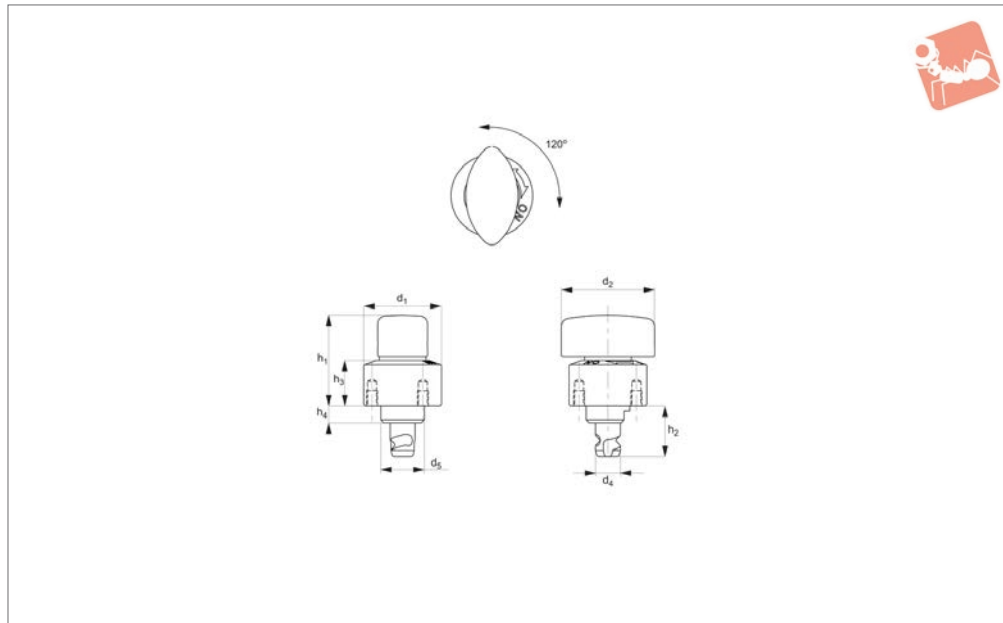


# Heavy Duty Quarter - Turn Clamp

stainless steel



One Touch Fasteners



**33965**

ONE TOUCH FASTENERS

### Material

**Body:** SUS303 Stainless Steel, **Shank:** SKS3 steel, Electroless nickel plated, Quenched and tempered **Pin:** SUS440C stainless steel, Quenched and tempered. **Knob:** 33965.W2500 & 33962.W3400, Polyamide (glass-fiber reinforced), 33965.W2501 & 33965.W3401, SCS13 Stainless steel (Equivalent to SUS304). **Spring A:** Equivalent to SWOSC-V steel. **Spring B:**

SUS316J1 stainless steel

### Technical Notes

One-touch fasteners are the ideal solution for applications requiring rapid and recurring change over of tooling or set ups. Use in applications as diverse as bottling processes, machine covers, changing of cogs and drive belts. One-touch fasteners provide a quick, simple and secure change

over solution - no time waste in unfastening screws or other permanent fixings, and no opportunity for lost fixings in your machinery.

### Important Notes

To use with Locking Receptacle 33966. For panel thickness 3-6mm, spacer 33967 is required

Order No.	Knob material	For single panel thickness	d <sub>1</sub>	d <sub>2</sub>	Weight g
33965.W2500	Plastic	3-20	25	30	62
33965.W2501	Stainless Steel	3-20	25	30	84
33965.W3400	Plastic	3-20	34	40	121
33965.W3401	Stainless Steel	3-20	34	40	157

Order No.	d <sub>3</sub> h <sub>9</sub>	d <sub>4</sub> -0.04   -0.08	d <sub>5</sub> h <sub>9</sub>	h <sub>1</sub>	h <sub>2</sub>	h <sub>3</sub>	Clamping force N	Holding force N	Shear strength N	Tensile strength N
33965.W2500	14	8	18	29.0	16.3	14.5	250	250	4800	1100
33965.W2501	14	8	18	29.0	16.3	14.5	250	250	4800	1100
33965.W3400	18	8	18	31.5	16.3	16.0	400	400	4800	1600
33965.W3401	18	8	18	31.5	16.3	16.0	400	400	4800	1600