

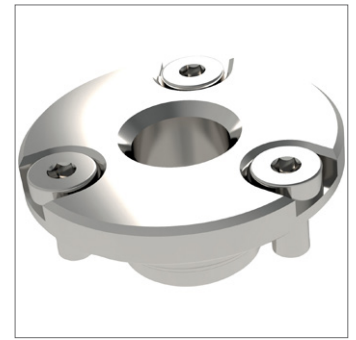
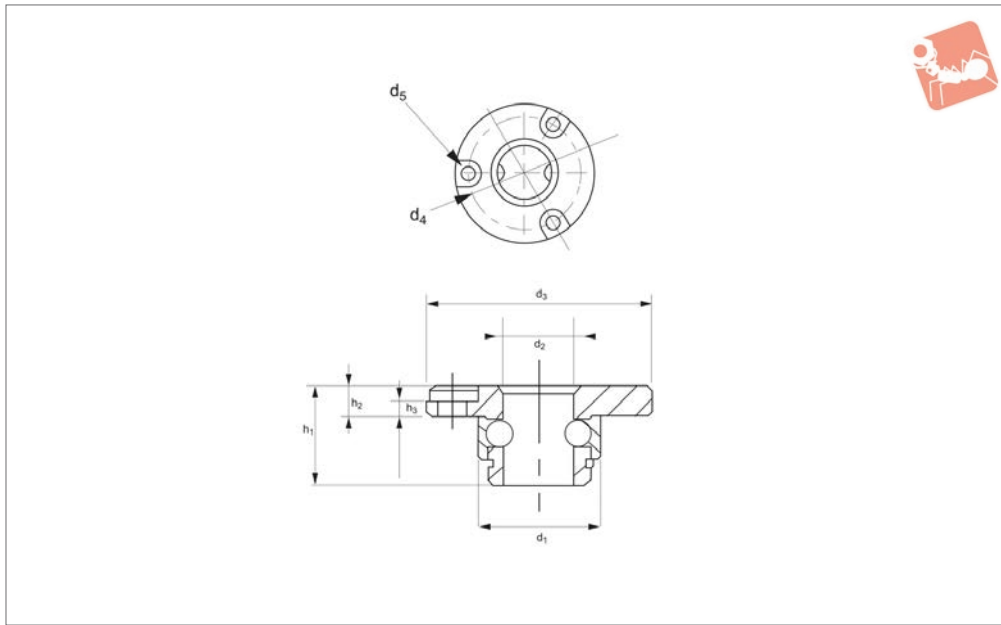


Locking Receptacle - 1/4 Turn Clamps

Stainless Steel



One Touch Fasteners



33966

ONE TOUCH FASTENERS

Material

Stainless Steel,
 Body: S45C Steel. Electroless nickel plated.
 Ball: SUS440C stainless steel. Quenched and tempered.
 Collar: SKS3 steel. Electroless Nickel

plated. Quenched and tempered.
 Retaining Ring: SUS304WPB stainless steel.

- Turn Clamp
 Supplied with 3 of low head cap screws (stainless steel), M3x0.5-6L

Important Notes

To be used with 33965 Heavy Duty Quarter

Order No.	Material	d ₁	d ₂ +0.08 +0.04	d ₃ h9	d ₄	d ₅	h ₁	h ₂	h ₃	Weight g
33966.W0014	Stainless Steel	14	8	26	20	M 3	11.5	3.5	1.5	19