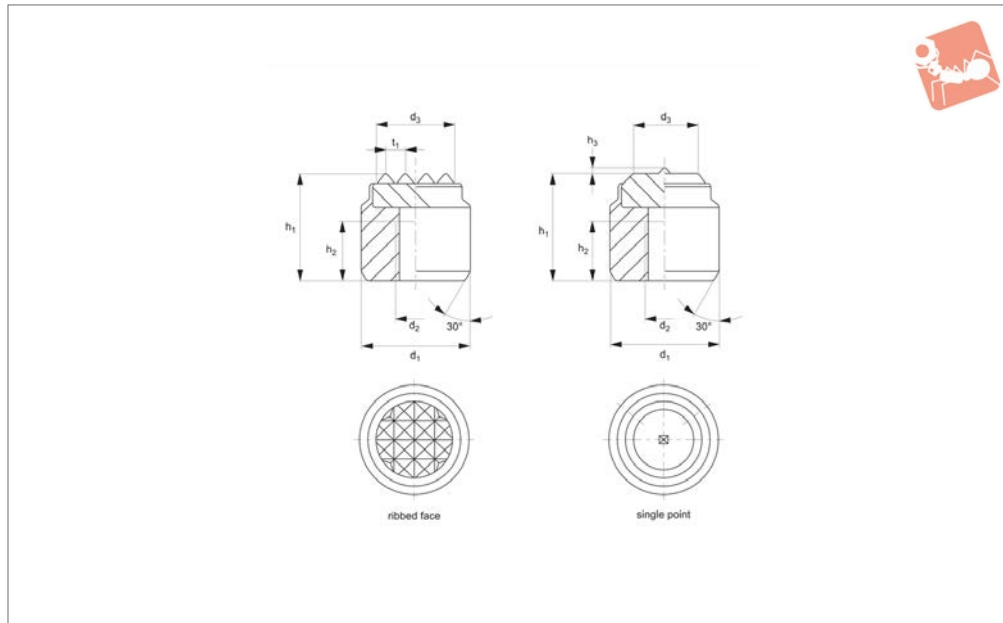




Rest Pads with hard metal inserts - ribbed



Self-Aligning Pads



34082

SELF-ALIGNING PADS

Material

Body: steel, heat-treated, phosphated.
Insert: steel, heat-treated.

Technical Notes

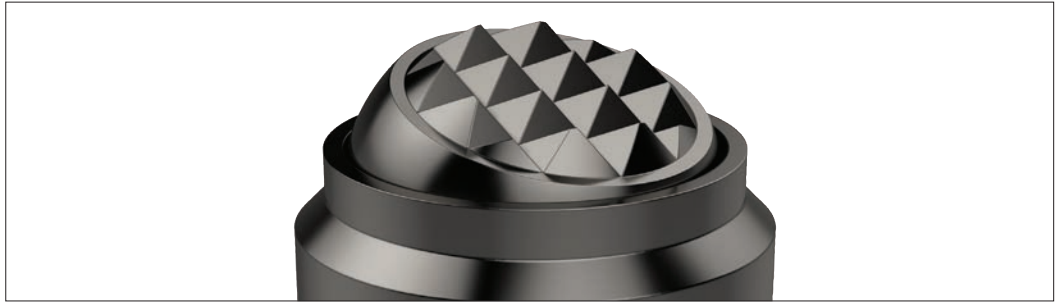
Ideal as stop, support or thrust pad especially where cast components are being

machined. Insert is brazed in position.

Order No.	Type	d ₁ tol. n6	d ₂	d ₃ ≈	h ₁	h ₂ min.	h ₃	t ₁	Location hole tol. H7	Weight g
34082.W0208	Ribbed Face	10	M 5	7.7	13	6	-	2	10	8
34082.W0211	Ribbed Face	14	M 6	10.6	13	6	-	2	14	15
34082.W0213	Ribbed Face	16	M 6	11.9	13	6	-	3	16	20
34082.W0215	Ribbed Face	20	M 6	16.0	13	6	-	3	20	32
34082.W0217	Ribbed Face	25	M 6	21.0	13	6	-	3	25	51
34082.W0228	Single Point	10	M 5	6.3	13	6	0.8	-	10	8
34082.W0231	Single Point	14	M 6	9.3	13	6	0.8	-	14	16
34082.W0233	Single Point	16	M 6	10.0	13	6	0.8	-	16	21

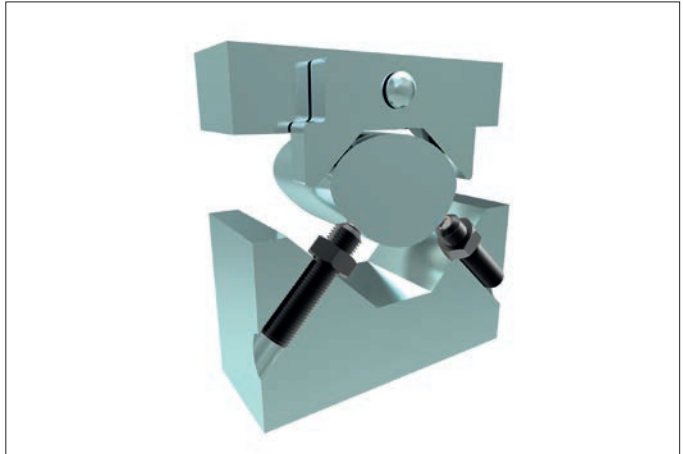


Clamping, supporting and aligning non-parallel and uneven surfaces is greatly simplified with the use of Wixroyd self-aligning pads and thrust screws. Available with ridged faces for improved holding of cast components, or plastic faces for holding more delicate parts.



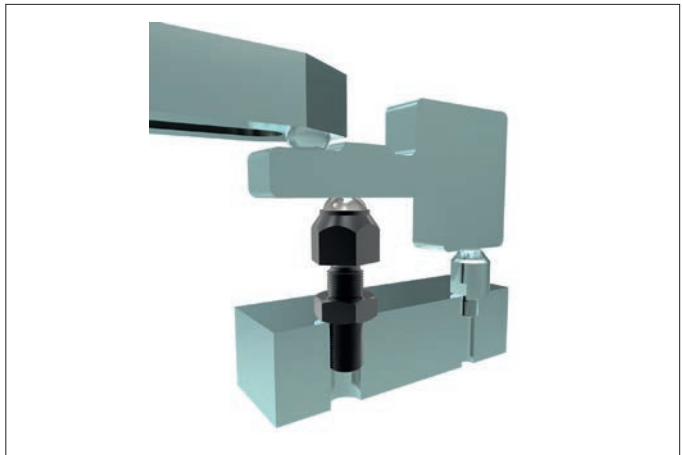
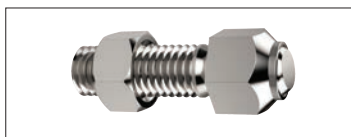
Self-aligning Thrust Screws

34000 to 34060 - Self-aligning thrust screws in sizes M6 to M24, ideal for clamping or supporting non-parallel surfaces.



Self-aligning Pads

34080 to 34121 - Self-aligning pads, both male and female mounting, ideal for accommodating variations between parts in fixtures.



Thrust Screws

34140 to 34160 - Thrust screws, with either brass or thermoplastic pads, are suitable for gentle clamping and positioning more delicate parts.

