

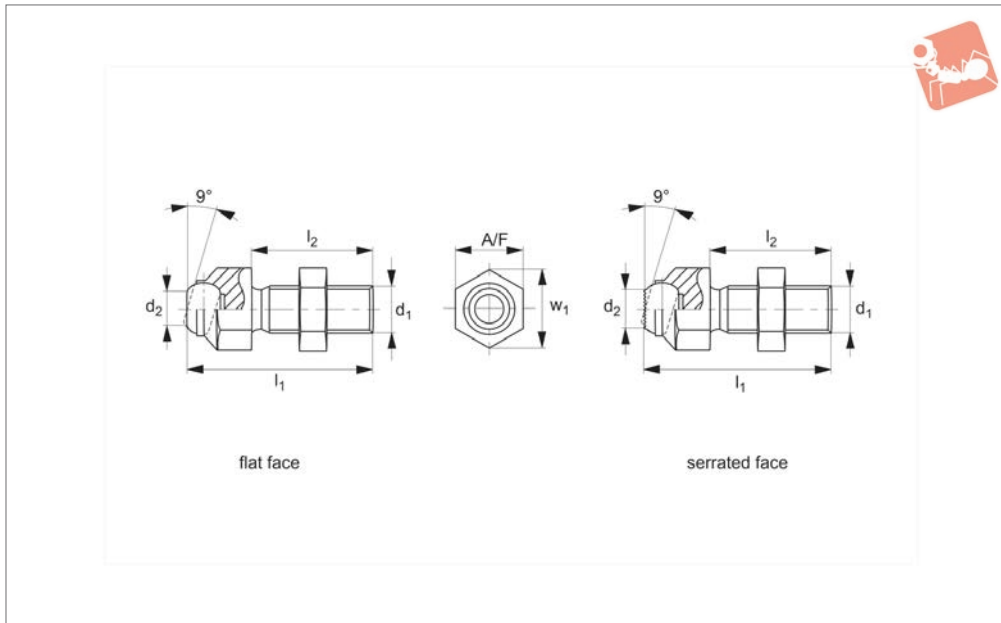


Self-Aligning Pads

adjustable - steel



Self-Aligning Pads



34120

SELF-ALIGNING PADS

Material

Body: steel, heat-treated, phosphated.
Ball: ball-bearing steel, hardened, bright.

supports and thrust elements in jigs and fixtures. They can also be fitted to existing clamping elements.

Tips

Ball secured against turning.

Technical Notes

These self-aligning pads serve as stops,

Order No.	Ball type	Ball dia.	d ₁	d ₂	l ₁	l ₂	w ₁	A/F	Static load kN max.	Tightening torque Nm max.	Weight g
34120.W0013	Flat, Smooth	8.5	M 8	5.8	36.6	25	14.5	13	8	25	21
34120.W0016	Flat, Smooth	12.0	M10	8.6	45.7	30	19.0	17	8	46	44
34120.W0017	Flat, Smooth	12.0	M12	8.6	50.7	35	19.0	17	15	82	55
34120.W0024	Flat, Smooth	16.0	M16	10.5	60.7	40	27.0	24	25	206	28
34120.W0030	Flat, Smooth	25.0	M20	20.0	77.3	50	33.0	30	90	407	75
34120.W0036	Flat, Smooth	25.0	M24	20.0	100.0	70	40.0	36	90	698	472
34120.W0046	Flat, Smooth	40.0	M30x1,5	34.6	100.0	65	51.0	46	165	1355	772
34120.W0313	Flat, Serrated	8.5	M 8	5.8	36.6	25	14.5	13	8	25	20
34120.W0316	Flat, Serrated	12.0	M10	8.6	45.7	30	19.0	17	8	46	44
34120.W0317	Flat, Serrated	12.0	M12	8.6	50.7	35	19.0	17	15	82	55
34120.W0324	Flat, Serrated	16.0	M16	10.5	60.7	40	27.0	24	25	206	128
34120.W0330	Flat, Serrated	25.0	M20	20.0	77.3	50	33.0	30	90	407	274
34120.W0336	Flat, Serrated	25.0	M24	20.0	100.0	70	40.0	36	90	698	472
34120.W0346	Flat, Serrated	40.0	M30x1,5	34.6	100.0	65	51.0	46	165	1355	772

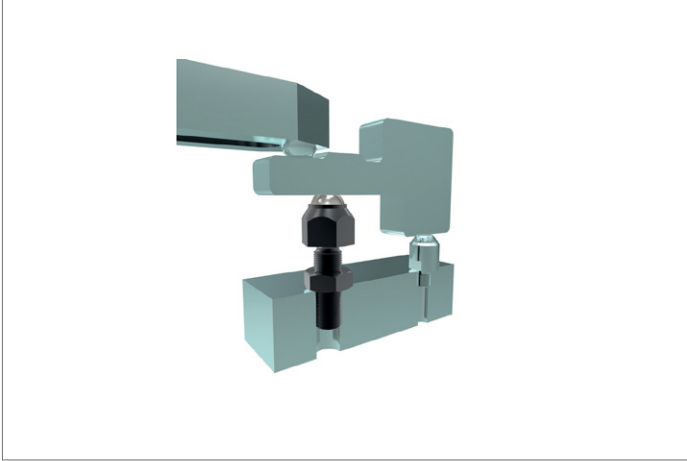
Self-Aligning Pads

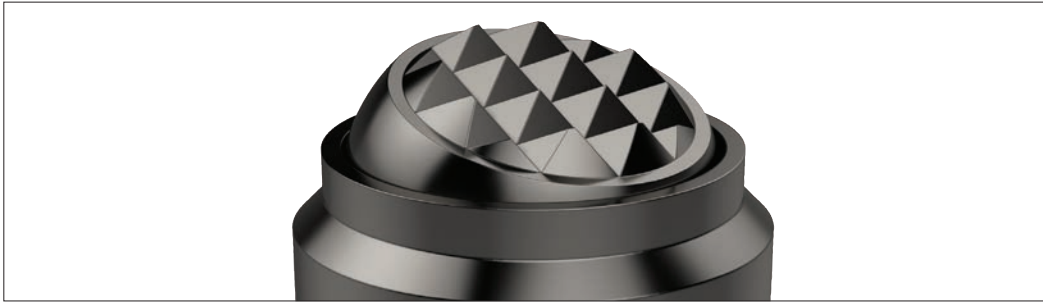


Self-Aligning Pads
adjustable - steel

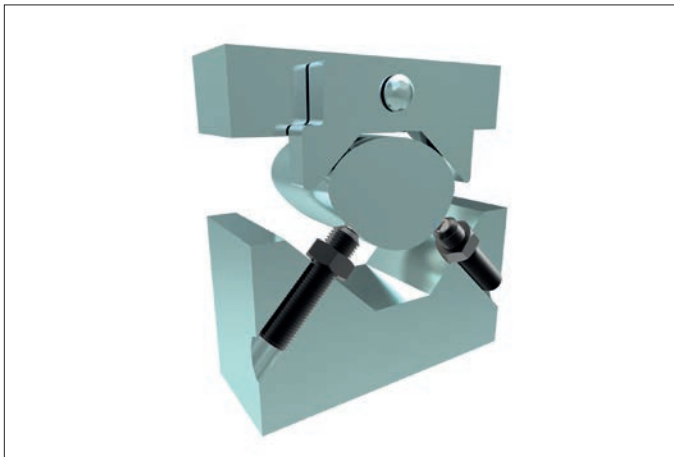


SELF-ALIGNING PADS



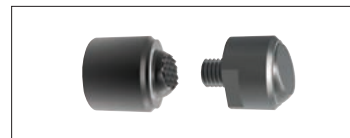
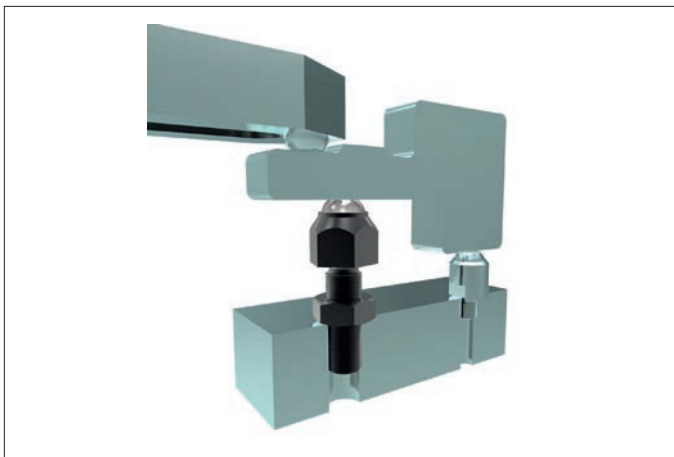


Clamping, supporting and aligning non-parallel and uneven surfaces is greatly simplified with the use of Wixroyd self-aligning pads and thrust screws. Available with ridged faces for improved holding of cast components, or plastic faces for holding more delicate parts.



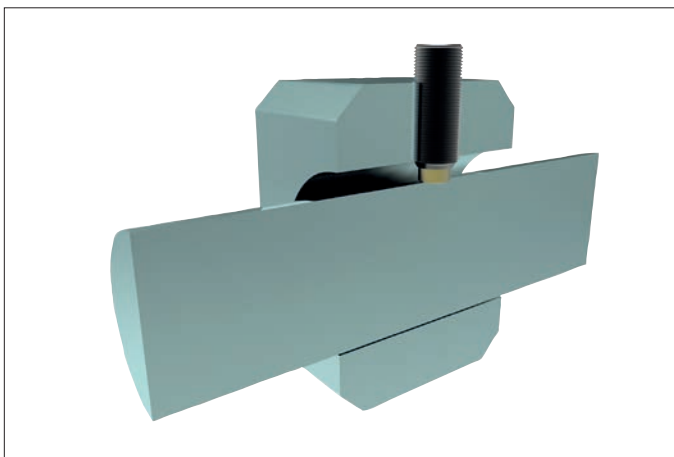
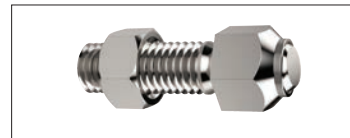
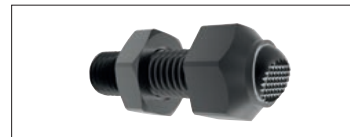
Self-aligning Thrust Screws

34000 to 34060 - Self-aligning thrust screws in sizes M6 to M24, ideal for clamping or supporting non-parallel surfaces.



Self-aligning Pads

34080 to 34121 - Self-aligning pads, both male and female mounting, ideal for accommodating variations between parts in fixtures.



Thrust Screws

34140 to 34160 - Thrust screws, with either brass or thermoplastic pads, are suitable for gentle clamping and positioning more delicate parts.



ov-W34000-A-T-W34160.2-AP0124-T-self-aligning-pads-and-thrust-screws-a-rmh - Updated - 28-10-2022