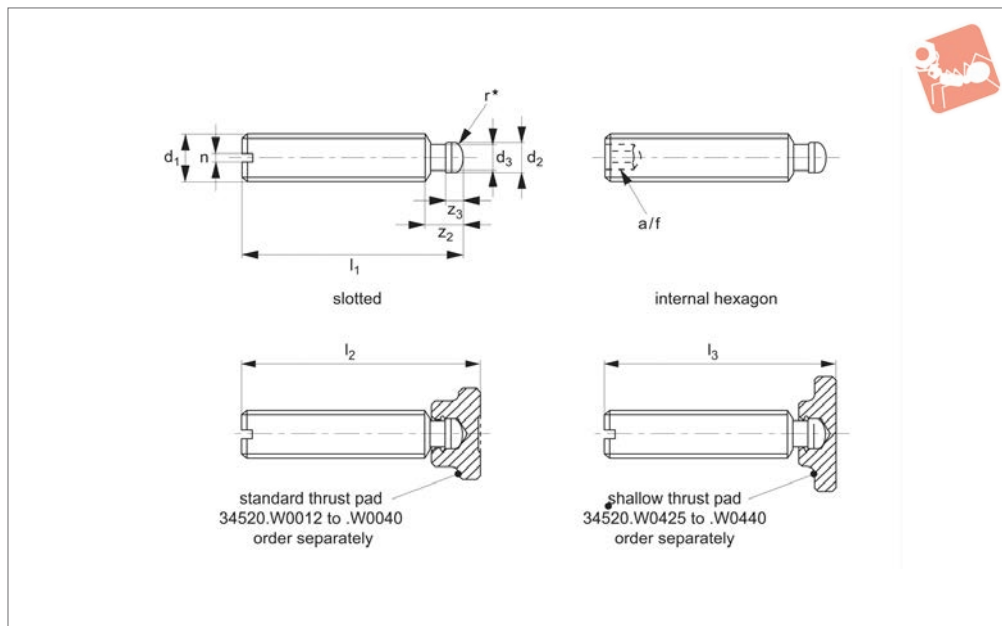


Grub Screws

with slot or hex end, and thrust point - form S - DIN



Thrust Screws



34500

THRUST SCREWS

Material

Body: steel to quality 5.8, thrust point hardened, blackened.

pads no. 34520<X\34520#26> standard or shallow type.

To ease assembly, DIN specification has been amended by addition of radius r^* .

Technical Notes

The grub screws can be used with thrust

Order No.	Type	d_1	d_2 tol. h11	d_3	l_1	l_2 ≈	l_3 ≈	n	z_2	z_3	A/F	Weight g
34500.W0061	Slotted	M 6	4.5	4.0	30	32.1	-	1.0	6.0	2.5	-	4.5
34500.W0062	Slotted	M 6	4.5	4.0	50	52.1	-	1.0	6.0	2.5	-	7.8
34500.W0081	Slotted	M 8	6.0	5.4	40	43.0	42.5	1.2	7.5	3.0	-	11.0
34500.W0082	Slotted	M 8	6.0	5.4	60	63.0	62.5	1.2	7.5	3.0	-	17.0
34500.W0101	Slotted	M10	8.0	7.2	60	63.6	62.6	1.6	9.0	4.5	-	27.0
34500.W0102	Slotted	M10	8.0	7.2	80	83.6	82.6	1.6	9.0	4.5	-	37.0
34500.W0121	Slotted	M12	8.0	7.2	60	64.6	62.6	2.0	10.0	4.5	-	38.0
34500.W0122	Slotted	M12	8.0	7.2	80	84.6	82.6	2.0	10.0	4.5	-	51.0
34500.W0123	Slotted	M12	8.0	7.2	100	104.6	102.6	2.0	10.0	4.5	-	65.0
34500.W0161	Slotted	M16	12.0	11.0	80	85.4	82.9	2.5	12.0	5.0	-	100.0
34500.W0162	Slotted	M16	12.0	11.0	100	105.4	102.9	2.5	12.0	5.0	-	126.0
34500.W0163	Slotted	M16	12.0	11.0	125	130.4	127.9	2.5	12.0	5.0	-	160.0
34500.W0201	Slotted	M20	15.5	14.4	100	105.5	-	3.0	14.0	5.5	-	190.0
34500.W0202	Slotted	M20	15.5	14.4	125	130.5	-	3.0	14.0	5.5	-	240.0
34500.W0203	Slotted	M20	15.5	14.4	150	155.5	-	3.0	14.0	5.5	-	290.0
34500.W0361	Internal Hexagon	M 6	4.5	4.0	30	32.1	-	-	6.0	2.5	3	4.3
34500.W0362	Internal Hexagon	M 6	4.5	4.0	50	52.1	-	-	6.0	2.5	3	7.6
34500.W0381	Internal Hexagon	M 8	6.0	5.4	40	43.0	42.5	-	7.5	3.0	4	11.0
34500.W0382	Internal Hexagon	M 8	6.0	5.4	60	63.0	62.5	-	7.5	3.0	4	17.0
34500.W0401	Internal Hexagon	M10	8.0	7.2	60	63.6	62.6	-	9.0	4.5	5	26.0
34500.W0402	Internal Hexagon	M10	8.0	7.2	80	83.6	82.6	-	9.0	4.5	5	36.0
34500.W0421	Internal Hexagon	M12	8.0	7.2	60	64.6	62.6	-	10.0	4.5	6	36.0
34500.W0422	Internal Hexagon	M12	8.0	7.2	80	84.6	82.6	-	10.0	4.5	6	57.0
34500.W0423	Internal Hexagon	M12	8.0	7.2	100	104.6	102.6	-	10.0	4.5	6	64.0
34500.W0461	Internal Hexagon	M16	12.0	11.0	80	85.4	82.9	-	12.0	5.0	8	91.0
34500.W0462	Internal Hexagon	M16	12.0	11.0	100	105.4	102.9	-	12.0	5.0	8	118.0
34500.W0463	Internal Hexagon	M16	12.0	11.0	125	130.4	127.9	-	12.0	5.0	8	150.0
34500.W0501	Internal Hexagon	M20	15.5	14.4	100	105.5	-	-	14.0	5.5	10	182.0
34500.W0502	Internal Hexagon	M20	15.5	14.4	125	130.5	-	-	14.0	5.5	10	233.0
34500.W0503	Internal Hexagon	M20	15.5	14.4	150	155.5	-	-	14.0	5.5	10	284.0

