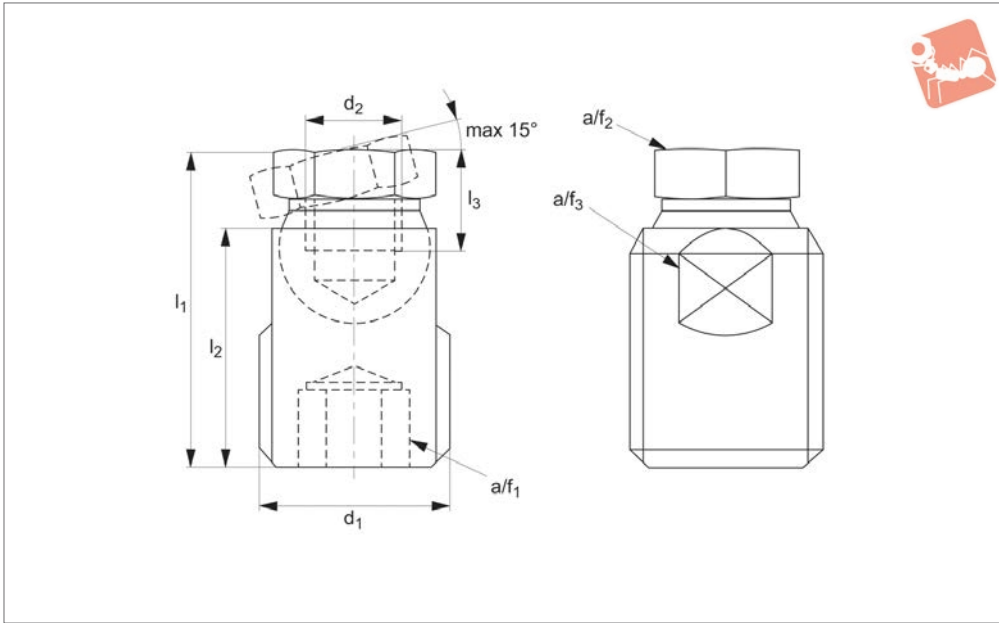




Compact Levelling Fulcrum Screw

Thrust Screws



34602

THRUST SCREWS

Material steel type:

Body: heat treated steel, tempered, blackened.
Ball: free cutting steel, induction hardened.

Stainless steel type: Body and ball: stainless steel 1.4305 (AISI 1303)

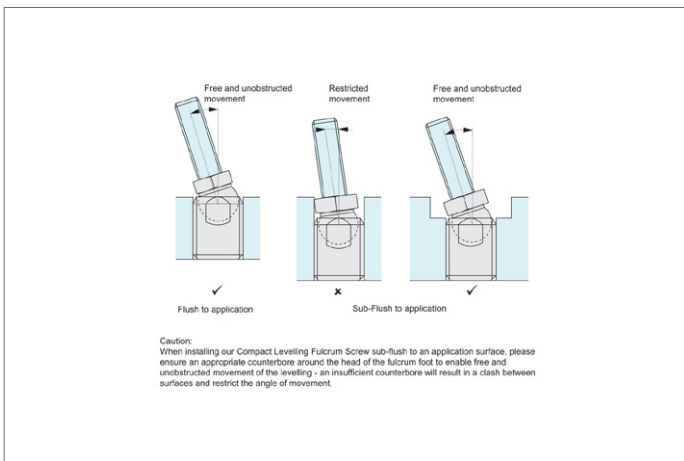
Technical Notes

Can be used as foot or thrust pad.
Compact design for simple levelling by

means of the spanner flat at the bushing or preferably by means of a hexagon socket.

Should only be used for static loads

Order No.	Finish	d ₁	d ₂	l ₁ ±0.5	l ₂	l ₃ min.	A/F ₁	A/F ₂	A/F ₃	Static load kN max.	Weight g
34602.W0006	Steel	M12	M 6	21.2	16	5.0	6	9	10	10	11
34602.W0008	Steel	M16	M 8	26.5	20	7.0	8	12	14	18	24
34602.W0010	Steel	M24	M10	39.9	30	9.0	12	19	20	35	87
34602.W0012	Steel	M24	M12	39.9	30	9.0	12	19	20	35	82
34602.W0016	Steel	M30x2	M16	47.4	36	13.5	12	24	27	45	165
34602.W0206	Stainless	M12	M 6	21.2	16	5.0	6	9	10	8	11
34602.W0208	Stainless	M16	M 8	26.5	20	7.0	8	12	14	14	24
34602.W0210	Stainless	M24	M10	39.9	30	9.0	12	19	20	28	87
34602.W0212	Stainless	M24	M12	39.9	30	9.0	12	19	20	28	82
34602.W0216	Stainless	M30x2	M16	47.4	36	13.5	12	24	27	36	165





A Range of features to suit your application

Product selection

To ensure you select the most suitable levelling feet for your application consider the following questions:

- Tilting or fixed?
- Material required - steel, stainless or plastic?
- Load carrying capacity - light, medium or heavy duty?
(Review the quoted load capacities in the individual product tables).
- Bolt down feature required?
- Threaded or plastic insert required for mounting?
- Optional extras: hygiene seal, rubber pad, (subject to minimum quantity and selected model).

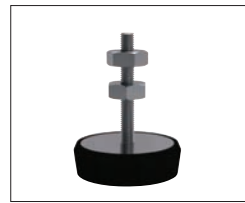
Key types



Fixed feet



Articulating levelling feet



Machine mounts



Fulcrum screw

Available features



Articulation



Standard nylon base



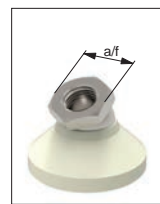
Anti-slip base



Bolt down base



Hygienic seal



Hex for easy installation

Materials



Steel thread - Nylon base



Stainless thread - Nylon base



Steel thread - Steel base



Stainless thread - Stainless base

Mounting inserts



Weldable insert



Hollow section insert



Hollow section bushed insert

Additional technical information



▶ For applications under greater loads and requiring increased precision of adjustment see our range of Precision Height Adjusters.

▶ For applications exposed to extreme vibrations see our range of Anti-Vibration Mounts.

