

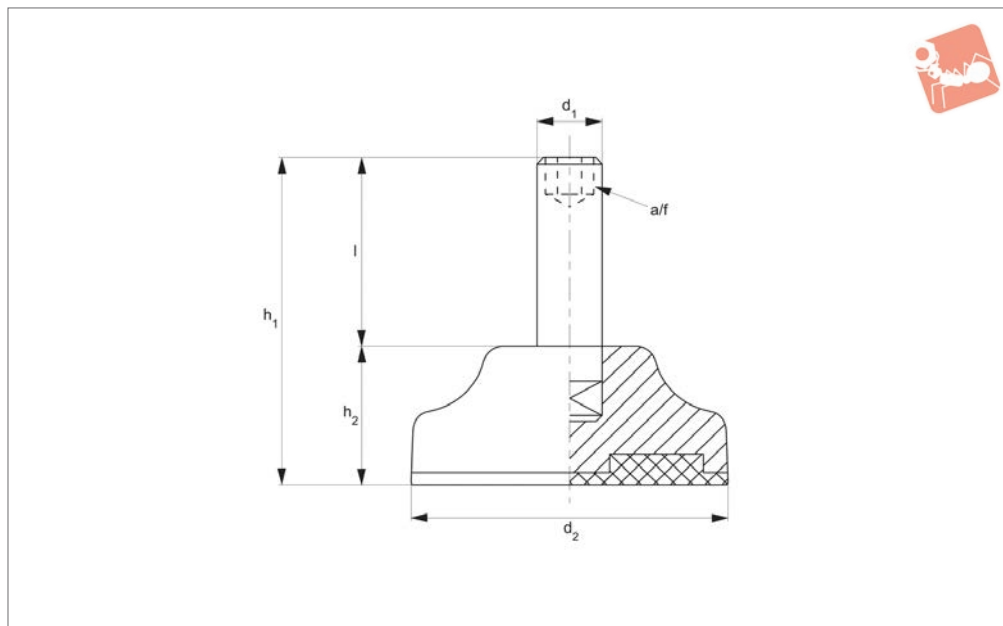


Fixed Feet

stainless with hex socket



Levelling Feet



34612

LEVELLING FEET

Material

Pad: polyamide reinforced by fibre glass with anti-slip pad.

Bolt: stainless steel AISI 304.

Technical Notes

Load values refer to static loads, located at half the screw height.

When vibrations or dynamic loads are

present these values should be reduced.

Order No.	d ₁	d ₂	l	h ₁	h ₂	A/F	Load kN max.
34612.W0800	M 8	40	25	44	19	4	5
34612.W0801	M 8	40	50	69	19	4	5
34612.W0802	M 8	50	25	48	23	4	6
34612.W0803	M 8	50	50	73	23	4	6
34612.W1000	M10	40	25	44	19	5	5
34612.W1001	M10	40	50	69	19	5	5
34612.W1002	M10	50	25	48	23	5	6
34612.W1003	M10	50	50	73	23	5	6