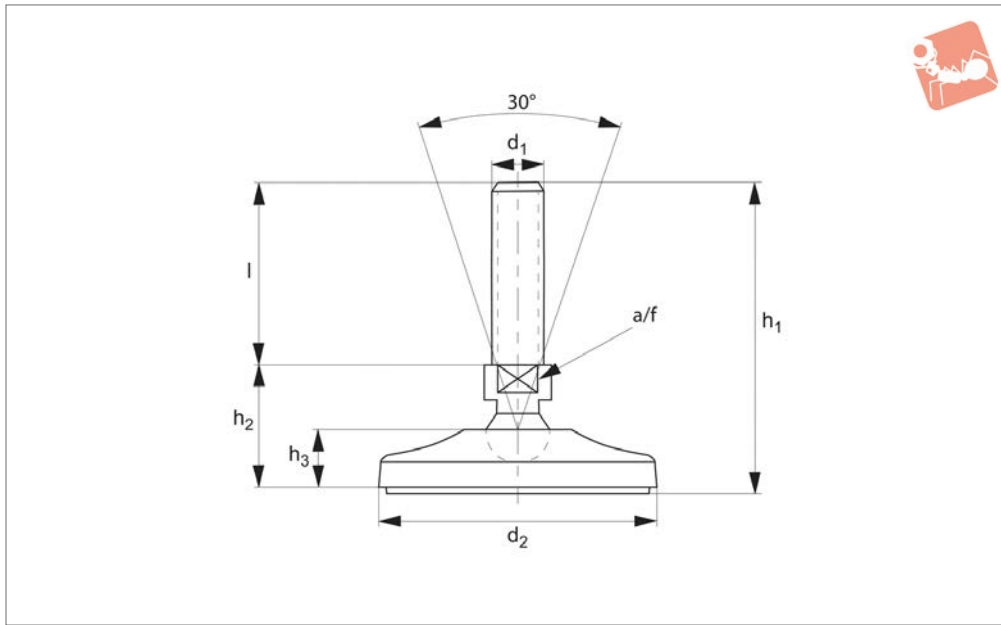




# Mini Levelling Feet

stainless steel, articulated

## Levelling Feet



**34614**

LEVELLING FEET

### Material

Stainless steel (AISI 304), with rubber pad (70 Shore A).  
Stainless steel (AISI 316) version available

on request.

### Technical Notes

Load values refer to static loads, located at

half the screw height.

When vibrations or dynamic loads are present these values should be reduced.

Order No.	d <sub>1</sub>	d <sub>2</sub>	l	h <sub>1</sub>	h <sub>2</sub>	h <sub>3</sub>	A/F	Load kN max.
34614.W0800	M 8	40	25	53	25	14.5	12	10
34614.W0801	M 8	40	50	78	25	14.5	12	10
34614.W0802	M 8	40	75	103	25	14.5	12	10
34614.W0803	M 8	40	100	128	25	14.5	12	10



## A Range of features to suit your application

### Product selection

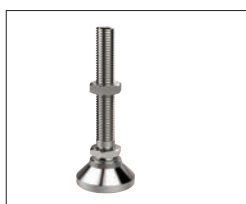
To ensure you select the most suitable levelling feet for your application consider the following questions:

- Tilting or fixed?
- Material required - steel, stainless or plastic?
- Load carrying capacity - light, medium or heavy duty?  
(Review the quoted load capacities in the individual product tables).
- Bolt down feature required?
- Threaded or plastic insert required for mounting?
- Optional extras: hygiene seal, rubber pad, (subject to minimum quantity and selected model).

### Key types



Fixed feet



Articulating levelling feet



Machine mounts



Fulcrum screw

### Available features



Articulation



Standard nylon base



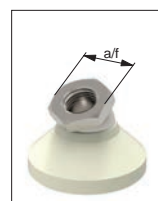
Anti-slip base



Bolt down base



Hygienic seal



Hex for easy installation

### Materials



Steel thread - Nylon base



Stainless thread - Nylon base



Steel thread - Steel base



Stainless thread - Stainless base

### Mounting inserts



Weldable insert



Hollow section insert



Hollow section bushed insert

### Additional technical information



▶ For applications under greater loads and requiring increased precision of adjustment see our range of Precision Height Adjusters.

▶ For applications exposed to extreme vibrations see our range of Anti-Vibration Mounts.

