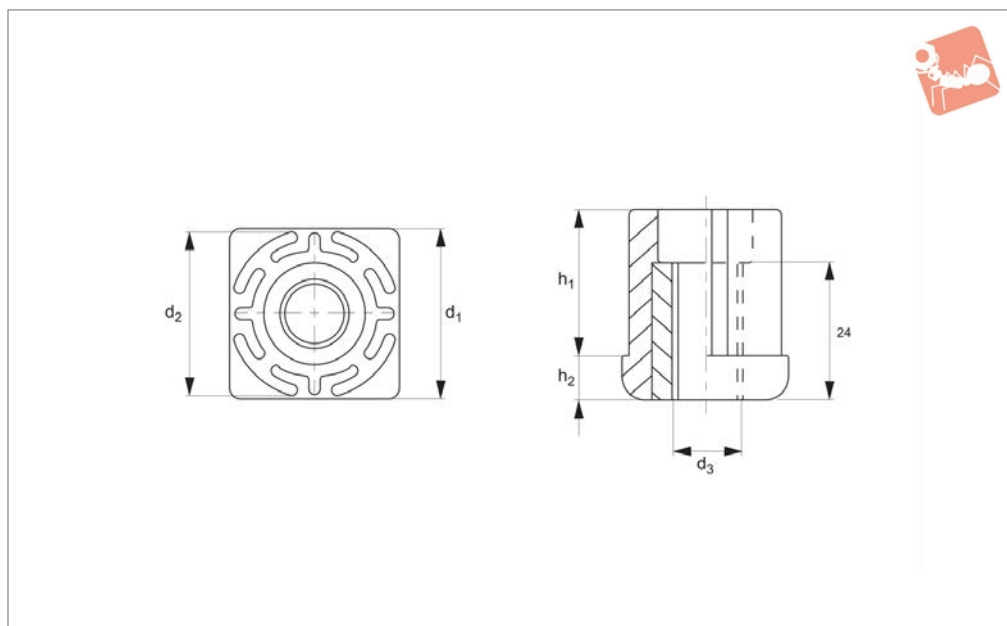




Threaded Plastic Inserts for Hollow with brass bush

Threaded Frame Inserts



34691

THREADED FRAME INSERTS

Material

Body: polyamide reinforced nylon.
Bush: brass, nickel plated.

Technical Notes

For use with levelling feet parts.

Order No.	Outerbox d_1	Innerbox d_2	d_3	h_1	h_2	Rec. load kg max.
34691.W0108	30x30x1,5	27	M 8	35	8	500
34691.W0110	30x30x1,5	27	M10	35	8	500
34691.W0112	30x30x1,5	27	M12	35	8	500
34691.W0116	30x30x1,5	27	M16	35	8	500
34691.W0208	40x40x1,5	37	M 8	35	8	1000
34691.W0210	40x40x1,5	37	M10	35	8	1000
34691.W0212	40x40x1,5	37	M12	35	8	1000
34691.W0216	40x40x1,5	37	M16	35	8	1000
34691.W0220	40x40x1,5	37	M20	35	8	1000
34691.W0308	40x40x2,0	36	M8	35	8	1000
34691.W0310	40x40x2,0	36	M10	35	8	1000
34691.W0312	40x40x2,0	36	M12	35	8	1000
34691.W0316	40x40x2,0	36	M16	35	8	1000
34691.W0320	40x40x2,0	36	M20	35	8	1000
34691.W0416	50x50x1,5	47	M16	45	10	1000
34691.W0420	50x50x1,5	47	M20	45	10	1200
34691.W0424	50x50x1,5	47	M24	45	10	1200
34691.W0516	50x50x2,0	46	M16	45	10	1200
34691.W0520	50x50x2,0	46	M20	45	10	1200
34691.W0524	50x50x2,0	46	M24	45	10	1200



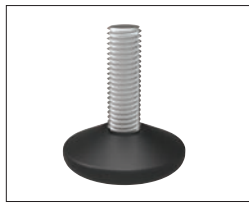


A Range of features to suit your application

To ensure you select the most suitable levelling feet for your application consider the following questions:

Product selection

- Tilting or fixed?
- Material required - steel, stainless or plastic?
- Load carrying capacity - light, medium or heavy duty?
(Review the quoted load capacities in the individual product tables).
- Bolt down feature required?
- Threaded or plastic insert required for mounting?
- Optional extras: hygiene seal, rubber pad, (subject to minimum quantity and selected model).



Fixed feet



Articulating levelling feet



Machine mounts



Fulcrum screw

Key types



Articulation



Standard nylon base



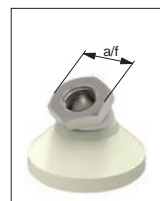
Anti-slip base



Bolt down base



Hygienic seal



Hex for easy installation

Available features



Steel thread - Nylon base



Stainless thread - Nylon base



Steel thread - Steel base



Stainless thread - Stainless base

Materials



Weldable insert



Hollow section insert



Hollow section bushed insert

Mounting inserts



- ▶ For applications under greater loads and requiring increased precision of adjustment see our range of Precision Height Adjusters.
- ▶ For applications exposed to extreme vibrations see our range of Anti-Vibration Mounts.



Additional technical information