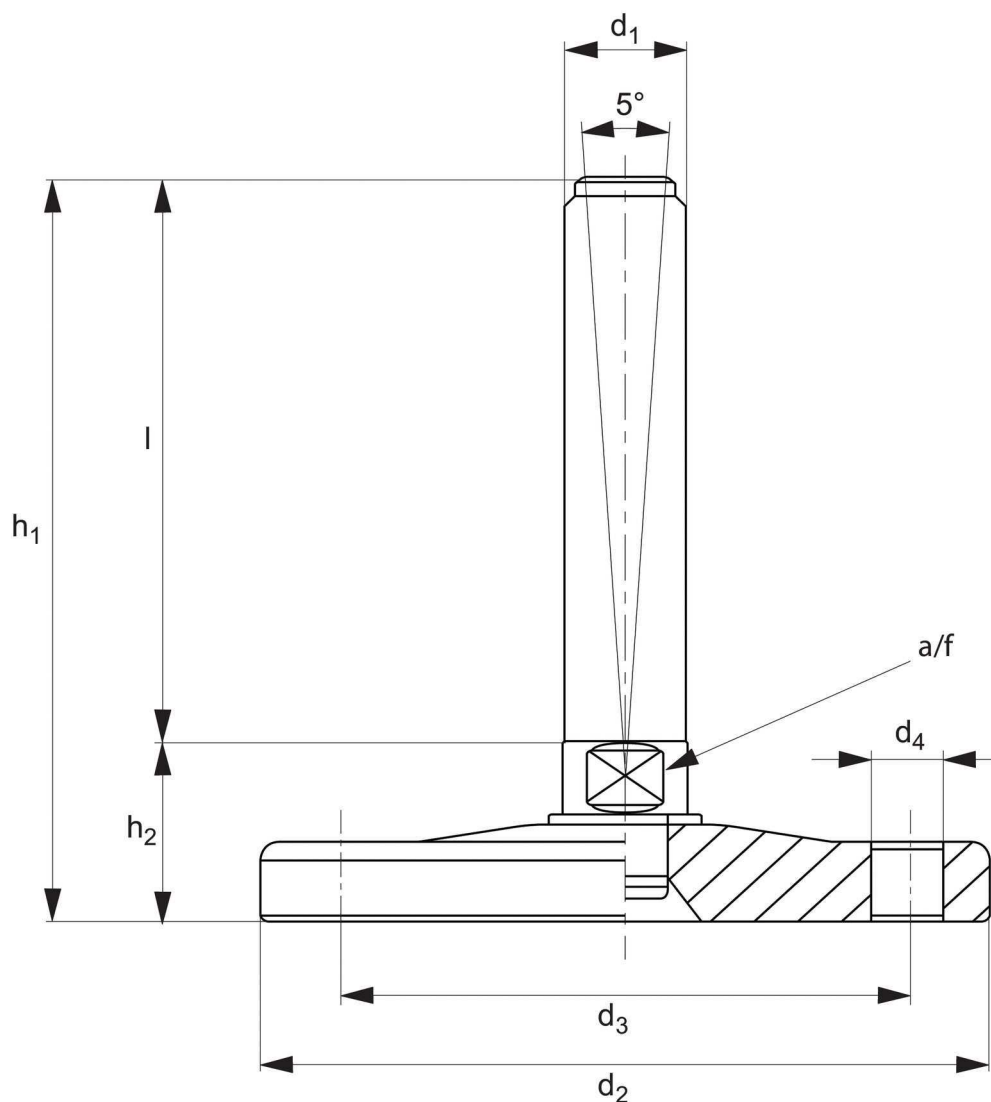


Levelling Feet - Bolt Down

stainless steel, medium load



34717



Material

Stainless steel (AISI 304).
Stainless steel (AISI 316) version available on request.

Technical Notes

Load values refer to static loads, located at half the screw height. When vibrations or dynamic loads are present these values should be reduced.



Order No.	d ₁	d ₂	d ₃	d ₄	l	h ₁	h ₂	h ₃	a/f	Max. load kN
34717.W1400	M14	80	62	10,5	50	70	20	11,5	14	20
34717.W1401	M14	80	62	10,5	100	120	20	11,5	14	20
34717.W1402	M14	80	62	10,5	150	170	20	11,5	14	20
34717.W1600	M16	120	62	12,5	75	104	29	16,5	17	40
34717.W1601	M16	120	62	12,5	100	129	29	16,5	17	40
34717.W1602	M16	120	62	12,5	150	179	29	16,5	17	40
34717.W2000	M20	120	62	12,5	75	104	29	16,5	17	40
34717.W2001	M20	120	62	12,5	125	154	29	16,5	17	40
34717.W2002	M20	120	62	12,5	175	204	29	16,5	17	40
34717.W2003	M20	150	62	12,5	75	104	29	16,5	17	50
34717.W2004	M20	150	62	12,5	125	154	29	16,5	17	50
34717.W2005	M20	150	62	12,5	175	204	29	16,5	17	50
34717.W2400	M24	120	62	12,5	100	130	30	16,5	20	45
34717.W2401	M24	120	62	12,5	150	180	30	16,5	20	45
34717.W2402	M24	120	62	12,5	200	230	30	16,5	20	45
34717.W2403	M24	150	62	12,5	100	130	30	16,5	20	55
34717.W2404	M24	150	62	12,5	150	180	30	16,5	20	55
34717.W2405	M24	150	62	12,5	200	230	30	16,5	20	55
34717.W3000	M30	120	62	12,5	125	155	30	16,5	26	45
34717.W3001	M30	120	62	12,5	175	205	30	16,5	26	45
34717.W3002	M30	120	62	12,5	225	255	30	16,5	26	45

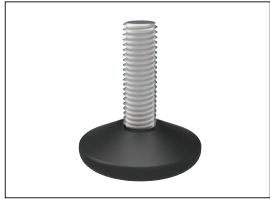


A Range of features to suit your application

To ensure you select the most suitable levelling feet for your application consider the following questions:

- Tilting or fixed?
- Material required - steel, stainless or plastic?
- Load carrying capacity - light, medium or heavy duty?
(Review the quoted load capacities in the individual product tables).
- Bolt down feature required?
- Threaded or plastic insert required for mounting?
- Optional extras: hygiene seal, rubber pad, (subject to minimum quantity and selected model).

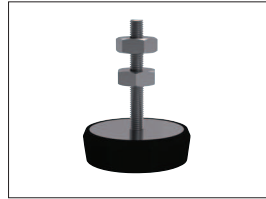
Product selection



Fixed feet



Articulating levelling feet

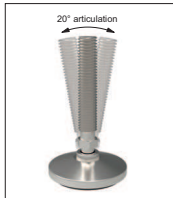


Machine mounts



Fulcrum screw

Key Types



Articulation



Standard nylon base



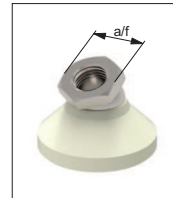
Anti-slip base



Bolt down base



Hygienic seal



Hex for easy installation

Available features



Steel thread - Nylon base



Stainless thread - Nylon base



Steel thread - Steel base



Stainless thread - Stainless base

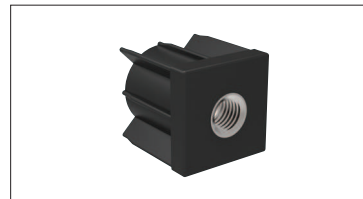
Materials



Weldable insert



Hollow section insert



Hollow section bushed insert

Mounting inserts



For applications under greater loads and requiring increased precision of adjustment see our range of Precision Height Adjusters.



For applications exposed to extreme vibrations see our range of Anti-Vibration Mounts.

Additional technical information