

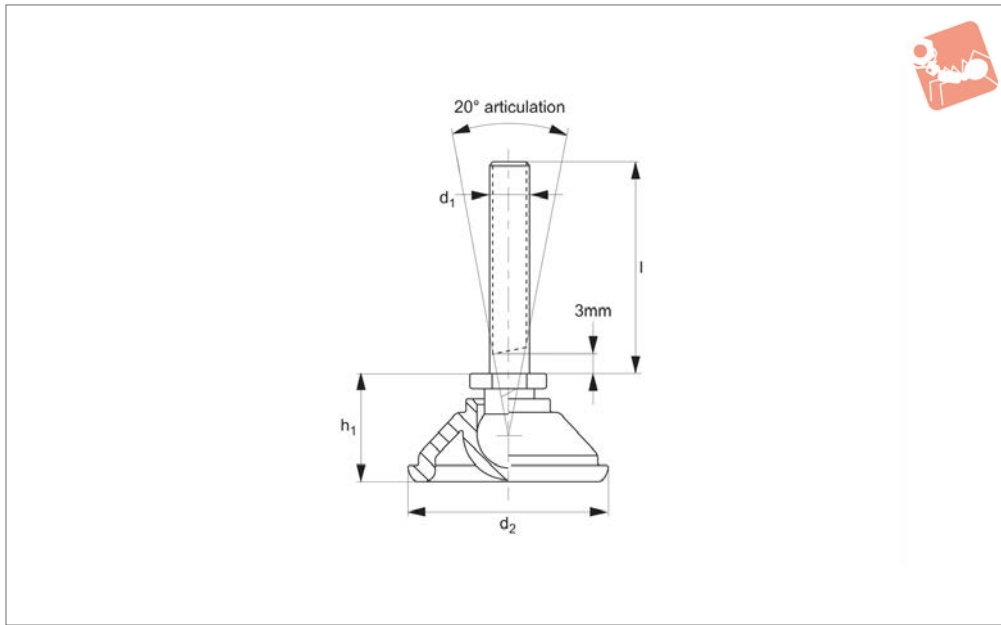


# Levelling Feet

pad plastic, bolt steel



# Levelling Feet



**34721**

LEVELLING FEET

### Material

Pad: polyamide reinforced nylon.

Bolt: mild steel, plated.

Order No.	d <sub>1</sub>	d <sub>2</sub>	l	h <sub>1</sub>	Static load kN max.
34721.W0060	M 6	40	20	21	3.0
34721.W0061	M 6	50	20	23	3.0
34721.W0062	M 6	40	40	21	3.0
34721.W0063	M 6	50	40	23	3.0
34721.W0080	M 8	40	25	21	4.5
34721.W0081	M 8	50	25	23	4.5
34721.W0082	M 8	40	40	21	4.5
34721.W0083	M 8	50	40	23	4.5
34721.W0084	M 8	40	60	21	4.5
34721.W0085	M 8	50	60	23	4.5
34721.W0100	M10	40	38	21	5.0
34721.W0101	M10	50	38	23	5.0
34721.W0102	M10	40	60	21	5.0
34721.W0103	M10	50	60	23	5.0
34721.W0104	M10	40	75	21	5.0
34721.W0105	M10	50	75	23	5.0
34721.W0120	M12	40	50	23	6.0
34721.W0121	M12	50	50	25	6.0
34721.W0122	M12	40	75	23	6.0
34721.W0123	M12	50	75	25	6.0
34721.W0124	M12	40	100	23	6.0
34721.W0125	M12	50	100	25	6.0
34721.W0126	M12	40	125	23	6.0
34721.W0127	M12	50	125	25	6.0