

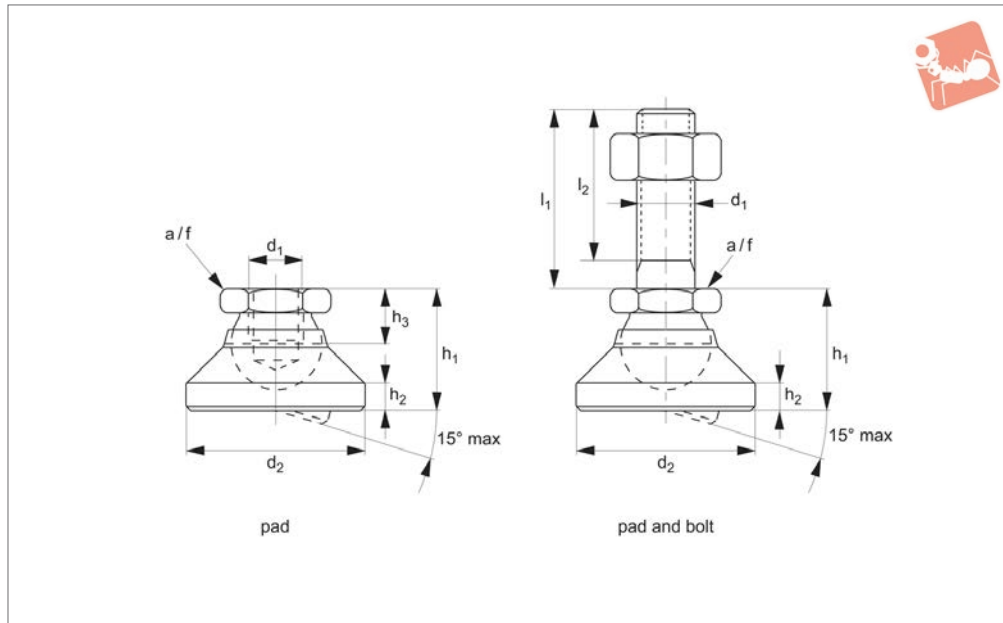


# Levelling Feet

pad thermoplastic, bolt stainless steel



# Levelling Feet



## 34760

LEVELLING FEET

### Material

Pad: white thermoplastic (POM).

Bolt: stainless steel 1.4305 (AISI 303).

Lock nut: Stainless steel A2, DIN 934/ISO 4032.

### Technical Notes

For use as feet and thrust pads.

Order No.	Type	d <sub>1</sub>	l <sub>1</sub>	d <sub>2</sub>	l <sub>2</sub>	h <sub>1</sub> ≈	h <sub>2</sub>	h <sub>3</sub>	Static load kN max.	A/F	Weight g
<b>34760.W0106</b>	Pad	M 6	-	20	-	14	2.5	5.0	4	10	6
<b>34760.W0108</b>	Pad	M 8	-	25	-	18	4.0	7.0	7	13	13
<b>34760.W0110</b>	Pad	M10	-	32	-	22	5.0	9.0	10	17	26
<b>34760.W0112</b>	Pad	M12	-	40	-	26	6.0	11.0	18	19	40
<b>34760.W0116</b>	Pad	M16	-	50	-	32	7.0	13.5	20	24	75
<b>34760.W0120</b>	Pad	M20	-	60	-	42	8.0	17.0	22	30	120
<b>34760.W0124</b>	Pad	M24	-	60	-	45	9.5	19.0	25	36	184
<b>34760.W0510</b>	Pad and Bolt	M 6	60	20	57.0	14	2.5	-	4	10	20
<b>34760.W0522</b>	Pad and Bolt	M 8	80	25	76.0	18	4.0	-	7	13	46
<b>34760.W0538</b>	Pad and Bolt	M10	100	32	95.5	22	5.0	-	10	17	92
<b>34760.W0542</b>	Pad and Bolt	M10	150	32	145.5	22	5.0	-	10	17	118
<b>34760.W0552</b>	Pad and Bolt	M12	100	40	94.5	26	6.0	-	18	19	139
<b>34760.W0556</b>	Pad and Bolt	M12	150	40	144.5	26	6.0	-	18	19	173
<b>34760.W0568</b>	Pad and Bolt	M16	100	50	94.0	32	7.0	-	20	24	264
<b>34760.W0572</b>	Pad and Bolt	M16	200	50	194.0	32	7.0	-	20	24	393
<b>34760.W0582</b>	Pad and Bolt	M20	100	60	92.5	42	8.0	-	22	30	463
<b>34760.W0588</b>	Pad and Bolt	M20	200	60	192.5	42	8.0	-	22	30	664
<b>34760.W0595</b>	Pad and Bolt	M24	100	60	91.0	45	9.5	-	25	36	662
<b>34760.W0598</b>	Pad and Bolt	M24	200	60	191.0	45	9.5	-	25	36	960



LEVELLING FEET

