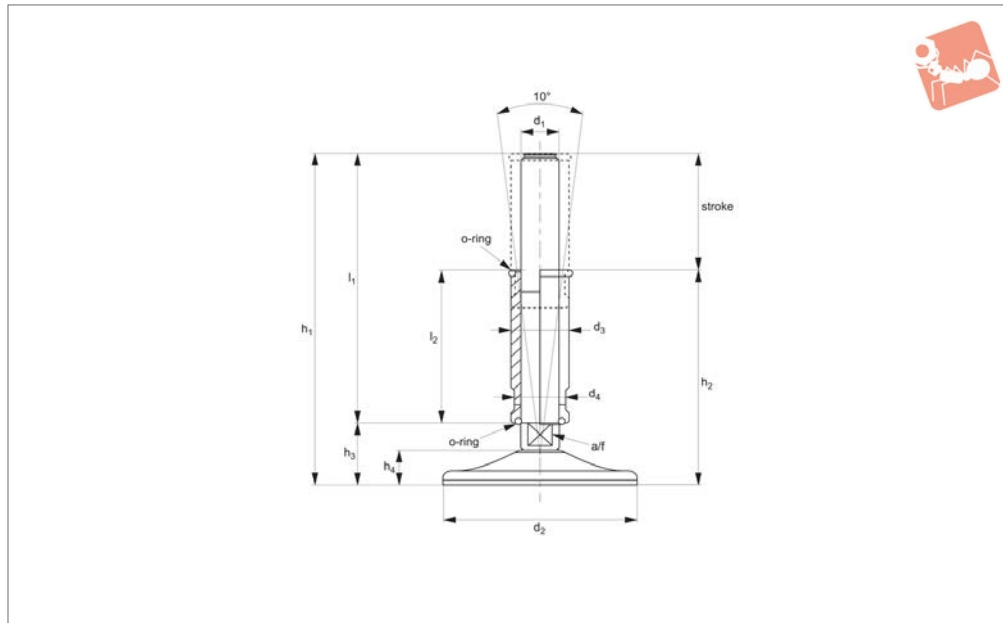




# Hygienic Levelling Feet

stainless steel, with rubber pad

## Levelling Feet



34772

LEVELLING FEET

### Material

Base: stainless steel with vulcanized rubber pad.

Screw: stainless steel 304.

### Technical Notes

Nut shroud is used to cover the exposed threaded section of the levelling feet, and

hence prevents areas of contamination. In addition the rubber seal between base and bolt adds to the ease of cleaning.

Load values shown are for static loads calculated at the half of the screw length. In the presence of vibrations or dynamic

loads these values should be reduced.

### Tips

Specifically designed for food & drink, pharmaceutical & clean room applications where hygiene is of prime importance and ingress of materials is to be minimised.

Order No.	Stroke	d <sub>1</sub>	d <sub>2</sub>	d <sub>3</sub>	d <sub>4</sub>	l <sub>1</sub>	l <sub>2</sub>	h <sub>1</sub>	h <sub>2</sub>	h <sub>3</sub>	h <sub>4</sub>	A/F	Static load kN
34772.W1600	40mm	M16	60	24	20	125	65	160	95	35	22.0	17	7
34772.W1601	65mm	M16	60	24	20	150	85	185	120	35	22.0	17	7
34772.W1602	40mm	M16	80	24	20	125	65	163	98	38	22.0	17	10
34772.W1603	65mm	M16	80	24	20	150	85	188	123	38	25.0	17	10
34772.W1604	65mm	M16	100	24	20	150	85	193	128	43	25.0	17	15
34772.W1605	65mm	M16	120	24	20	150	85	195	130	45	25.0	17	30
34772.W1606	40mm	M16	75	24	20	125	65	153	88	28	25.0	13	20
34772.W1607	65mm	M16	100	24	20	150	85	187	122	37	30.0	17	30
34772.W2000	65mm	M20	60	30	26	150	85	185	120	35	30.0	17	7
34772.W2001	65mm	M20	80	30	26	150	85	188	123	38	30.0	17	10
34772.W2002	65mm	M20	80	30	26	200	85	238	173	38	30.0	17	10
34772.W2003	65mm	M20	100	30	26	150	85	193	128	43	30.0	17	15
34772.W2004	65mm	M20	100	30	26	200	85	243	178	43	30.0	17	15
34772.W2005	65mm	M20	120	30	26	150	85	195	130	45	30.0	17	30
34772.W2006	65mm	M20	120	30	26	200	85	245	180	45	32.0	17	30
34772.W2007	65mm	M20	100	30	26	150	85	187	122	37	32.0	17	30
34772.W2008	65mm	M20	100	30	26	200	85	237	172	37	32.0	17	30
34772.W2009	65mm	M20	120	30	26	150	85	187	122	37	32.0	17	40
34772.W2010	65mm	M20	120	30	26	200	85	237	172	37	32.0	17	40
34772.W2011	65mm	M20	150	30	26	150	85	189	124	39	32.0	17	50
34772.W2012	65mm	M20	150	30	26	200	85	239	174	39	32.0	17	50
34772.W2400	65mm	M24	100	35	30	150	85	194	129	44	18.0	20	15
34772.W2401	65mm	M24	100	35	30	200	85	244	179	44	22.0	20	15
34772.W2402	65mm	M24	120	35	30	150	85	196	131	46	22.0	20	30
34772.W2403	65mm	M24	120	35	30	200	85	246	181	46	22.0	20	30
34772.W2404	65mm	M24	100	35	30	150	85	188	123	38	22.0	20	30
34772.W2405	65mm	M24	100	35	30	200	85	238	173	38	22.0	26	30
34772.W2406	65mm	M24	120	35	30	150	85	188	123	38	22.0	20	40
34772.W2407	65mm	M24	120	35	30	200	85	238	173	38	22.0	20	40
34772.W2408	65mm	M24	150	35	30	150	85	190	125	40	22.0	20	50



Order No.	Stroke	d <sub>1</sub>	d <sub>2</sub>	d <sub>3</sub>	d <sub>4</sub>	l <sub>1</sub>	l <sub>2</sub>	h <sub>1</sub>	h <sub>2</sub>	h <sub>3</sub>	h <sub>4</sub>	A/F	Static load kN
<b>34772.W2409</b>	65mm	M24	150	35	30	200	85	240	175	40	22.0	20	50
<b>34772.W3000</b>	65mm	M30	100	42	36	150	85	195	130	45	22.0	26	15
<b>34772.W3001</b>	65mm	M30	100	42	36	200	85	245	180	45	22.0	26	15
<b>34772.W3002</b>	65mm	M30	120	42	36	150	85	197	132	47	22.0	26	30
<b>34772.W3003</b>	65mm	M30	120	42	36	200	85	247	182	47	22.0	26	30
<b>34772.W3004</b>	65mm	M30	100	42	36	150	85	189	124	39	24.5	26	30
<b>34772.W3005</b>	65mm	M30	100	42	36	200	85	239	174	39	24.5	26	30
<b>34772.W3006</b>	65mm	M30	120	42	36	150	85	189	124	39	24.5	26	40
<b>34772.W3007</b>	65mm	M30	120	42	36	200	85	239	174	39	24.5	26	40
<b>34772.W3008</b>	65mm	M30	150	42	36	150	85	191	126	41	24.5	26	50
<b>34772.W3009</b>	65mm	M30	150	42	36	200	85	241	176	41	24.5	26	50