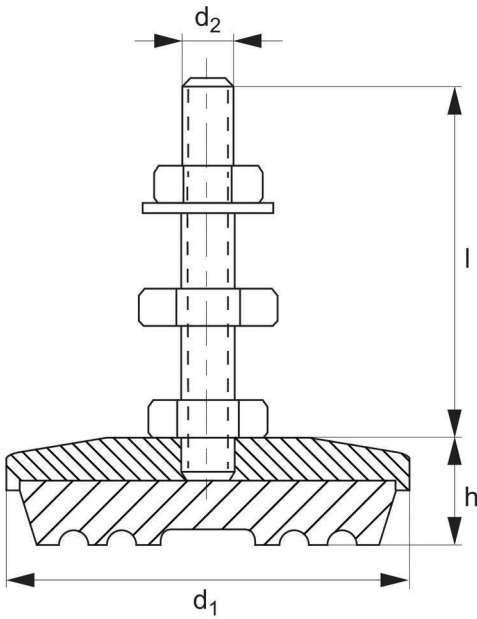


Heavy Duty Machine Mounts

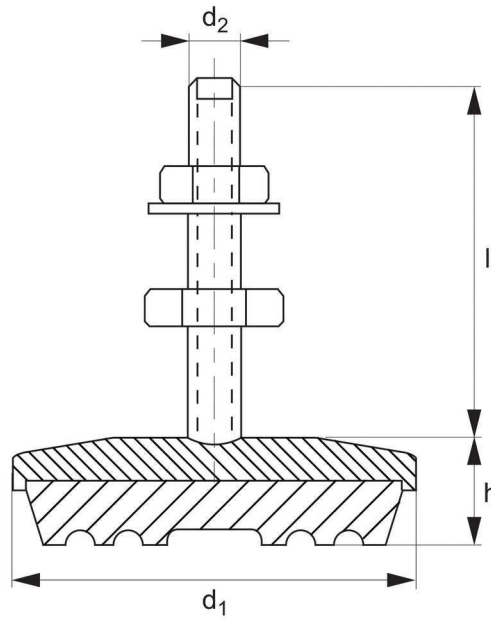
polyurethane base



34930



fixed



swivel



Material

Steel (GGG-40) coated body with zinc plated thread. Polyurethane base (65-90 Shore A).

Technical Notes

High resistance machine mounts, little deflection and maximum adherence due to shape of base. Resistant to water, oil, high and low temperatures, abrasions and shocks.

Tips

Suitable for heavy machining and conditions where there is high risk of deterioration due to oil and other substances. Also available in stainless steel - see product number 34990.

Order No.	Type	d ₁	h	d ₂	l	Load range Kgf
34930.W0065	Fixed	65	22	M12	90	200-800
34930.W0100	Fixed	100	30	M16	110	800-2000
34930.W0120	Fixed	120	33	M20	120	2000-4000
34930.W0180	Fixed	180	40	M20	115	4000-6000
34930.W0217	Fixed	217	52	M24	145	5000-10000
34930.W0400	Swivel	100	30	M16	95	500-2000
34930.W0420	Swivel	120	33	M20	120	2000-4000
34930.W0480	Swivel	180	40	M20	130	4000-6000
34930.W0617	Swivel	217	52	M24	150	5000-10000