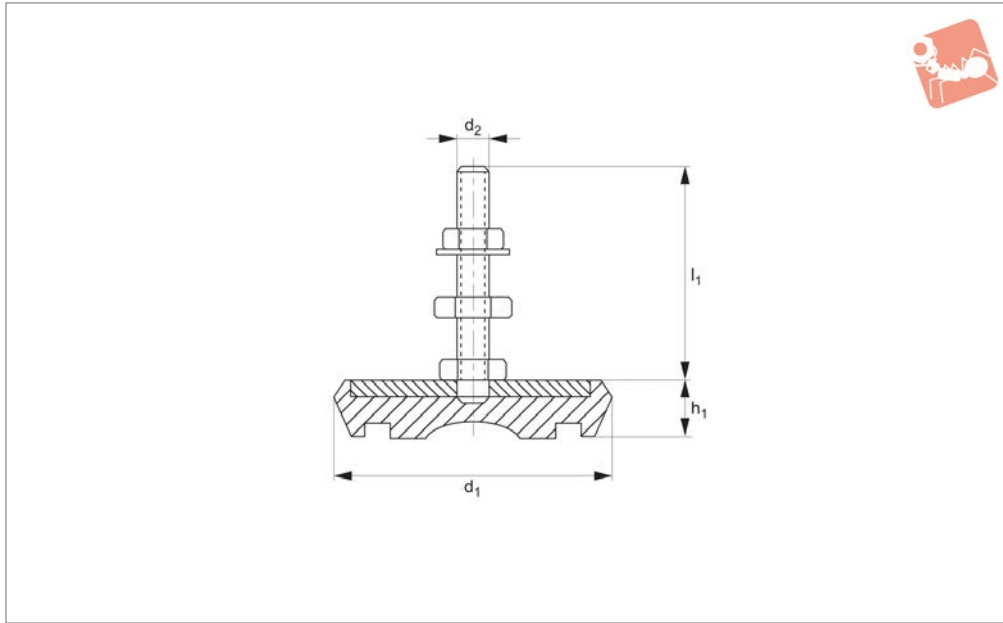




Stainless Machine Mounts rubber rubber base

Machine Mounts



34980

MACHINE MOUNTS

Material

Stainless steel body and thread (A2, AISI 304), with rubber base (65 Shore A).

Technical Notes

Suitable for medium and high frequency vibrations and with smooth floors.

Order No.	d ₁	h ₁	d ₂	l ₁	Load range kgf
34980.W0040	40	15	M 8	40	0-60
34980.W0063	63	18	M10	83	30-100
34980.W0070	70	22	M12	90	80-150
34980.W0090	90	25	M12	90	100-350
34980.W0106	106	29	M16	110	300-600
34980.W0127	127	33	M16	110	500-900
34980.W0150	150	39	M16	110	800-1500
34980.W0170	170	42	M16	110	1300-2000