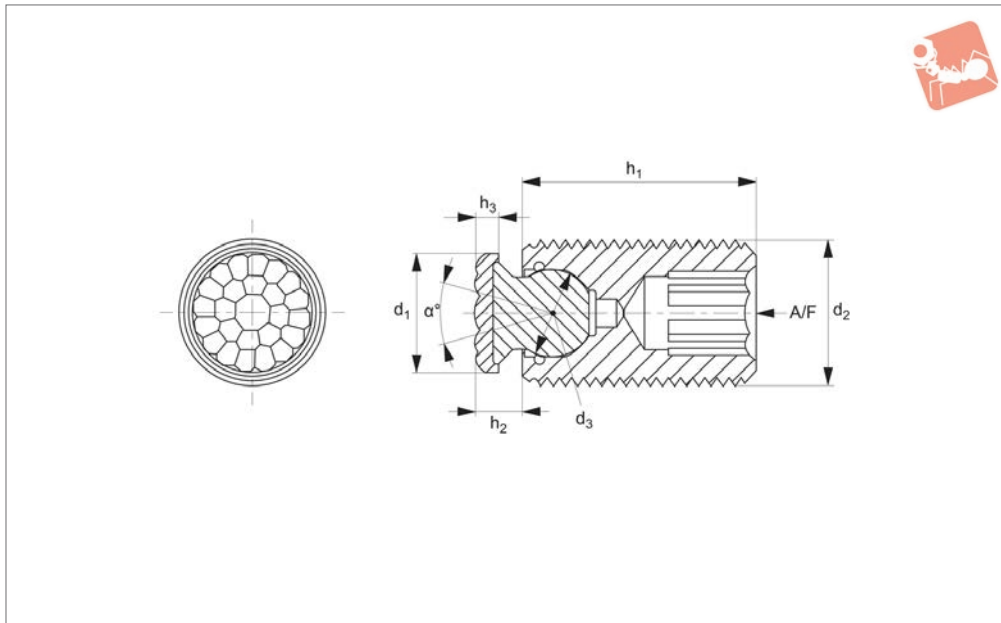




# Grippers - Self Aligning set screw - urethane coated

## Grippers & Rest Pads



### 35624

GRIPPERS & REST PADS

#### Material

Housing body: alloy steel, heat treated to HRC 43-46, black oxide finish.

Pad: urethane, bonded to AISI 300 series stainless steel ball.

#### Technical Notes

Available in three different durometers:

35, 60 & 80 (see table).

Bubbled texture of urethane pad allows air to escape so avoiding any suction action.

#### Tips

Re-seating: expel air by using 0,3 monofilament line between ball and housing, remove line when seated correctly.

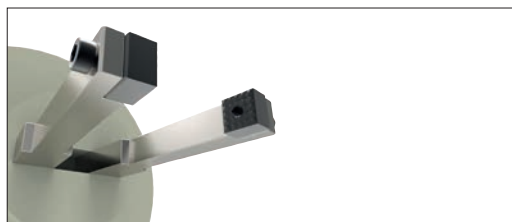
#### Important Notes

Load compression ratings based on load required to compress urethane surface 0,812mm for 2mm thick pad. Compression ratings vary greatly depending upon temperature and other application-specific factors.

Order No.	d <sub>1</sub>	d <sub>2</sub>	d <sub>3</sub>	h <sub>1</sub>	h <sub>2</sub>	h <sub>3</sub>	A/F	Durometer	Swivel angle α °	Load compression kg
35624.W6101	8	M10x1,5	5	25	3,5	2	5	60	28	9
35624.W6102	8	M10x1,5	5	35	3,5	2	5	60	28	9
35624.W6103	8	M10x1,5	5	50	3,5	2	5	60	28	9
35624.W6121	10	M12x1,75	7	25	4,0	2	6	60	28	11
35624.W6122	10	M12x1,75	7	35	4,0	2	6	60	28	11
35624.W6123	10	M12x1,75	7	50	4,0	2	6	60	28	11
35624.W6161	13	M16x2,0	10	25	5,0	2	8	60	28	34
35624.W6162	13	M16x2,0	10	35	5,0	2	8	60	28	34
35624.W6163	13	M16x2,0	10	50	5,0	2	8	60	28	34
35624.W6201	16	M20x2,5	13	30	5,0	2	10	60	28	63
35624.W6202	16	M20x2,5	13	50	5,0	2	10	60	28	63
35624.W6203	16	M20x2,5	13	70	5,0	2	10	60	28	63
35624.W6241	21	M24x3,0	15	40	6,0	2	10	60	24	154
35624.W6242	21	M24x3,0	15	80	6,0	2	10	60	24	154
35624.W8101	8	M10x1,5	5	25	3,5	2	5	80	28	18
35624.W8102	8	M10x1,5	5	35	3,5	2	5	80	28	18
35624.W8103	8	M10x1,5	5	50	3,5	2	5	80	28	18
35624.W8121	10	M12x1,75	7	25	4,0	2	6	80	28	29
35624.W8122	10	M12x1,75	7	35	4,0	2	6	80	28	29
35624.W8123	10	M12x1,75	7	50	4,0	2	6	80	28	29
35624.W8161	13	M16x2,0	10	25	5,0	2	8	80	28	68
35624.W8162	13	M16x2,0	10	35	5,0	2	8	80	28	68
35624.W8163	13	M16x2,0	10	50	5,0	2	8	80	28	68
35624.W8201	16	M20x2,5	13	30	5,0	2	10	80	28	97
35624.W8202	16	M20x2,5	13	50	5,0	2	10	80	28	97
35624.W8203	16	M20x2,5	13	70	5,0	2	10	80	28	97
35624.W8241	21	M24x3,0	15	40	6,0	2	10	80	24	238
35624.W8242	21	M24x3,0	15	80	6,0	2	10	80	24	238



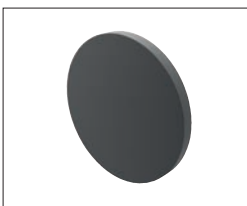
Grippers enhance workholding for multiple machining operations.



Grippers increase handling capability.

## Pads and Gripper Options

### Pads



#### Solid Carbide

High impact carbide pads, can be brazed or bonded into place.



#### Carbide Tipped

Constructed with high impact carbide pad brazed to a heat treated alloy steel body. Mount via tapped hole or a flat on the outside diameter for set screw mounting.



#### Hardened Steel

Made from 8620 steel, carburized and hardened to Rc 58/60 1.2mm with black oxide finish. Mount via tapped or counter bored hole.



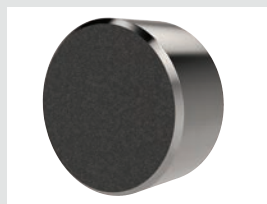
#### Non-marking Thermoplast

Made from white thermoplast. Mount via tapped or counter bored hole.



#### Stainless Steel

Pad from 17-4 stainless steel, hardened to Rc 43/46. Mount via tapped or counter bored hole.



#### Abrasive Diamond Surface

Abrasive surface permanently fused to a 17-4 stainless steel pad, hardened to Rc 43/46. The surface texture is comparable to a 100 grit abrasive. Mount via tapped or counter bored hole.



#### Soft Urethane Surface

Urethane surface is permanently bonded to a 300 series stainless steel pad. The urethane provides excellent protection against damage on delicate work surfaces. Tapped hole mounting.

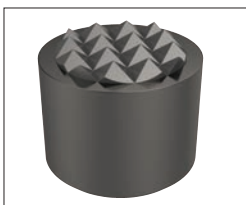
see our website for our full range:  
[wixroyd.com](http://wixroyd.com)

### Grippers



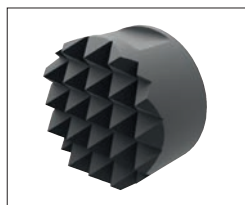
#### High Speed Tool Steel

Manufactured from M-2 high speed tool steel, hardened to Rc 60/62 with black oxide finish. Mount via tapped hole, counter bored hole or a flat on the outside diameter for set screw mounting.



#### Carbide Tipped

Constructed with high impact carbide pad brazed to a heat treated alloy steel body. Mounts via tapped hole or a flat on the outside diameter for set screw mounting.



#### Solid Carbide

Manufactured from high impact carbide in a solid gripper pad or as a solid gripper body with a threaded brazed-in steel insert. Mount via tapped hole or a flat on the outside diameter for set screw mounting.



## A Range of Specialist Gripping Pads to Suit Your Application



Unique urethane coat prevents marking of delicate components during machining or manipulation by robots. The urethane pad is permanently bonded to the stainless steel body of the gripping pad. With a bubbled texture, air is able to escape and hence avoid any suction action - enabling easy releasing of parts.

### Urethane Coated

These are available in three different urethane durometers.



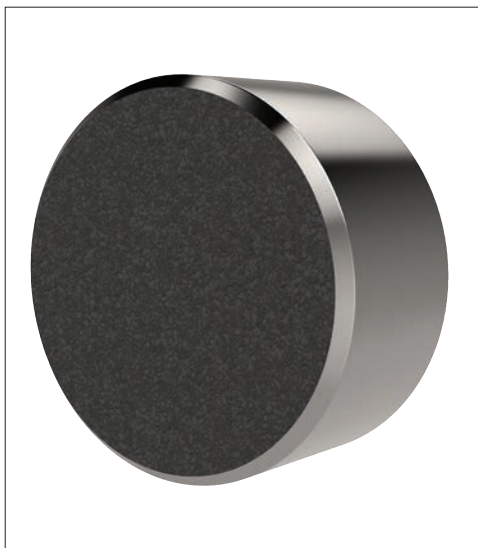
**35 durometer:**  
Pencil rubber top



**60 durometer:**  
Car tyre



**80 durometer:**  
Skateboard wheel



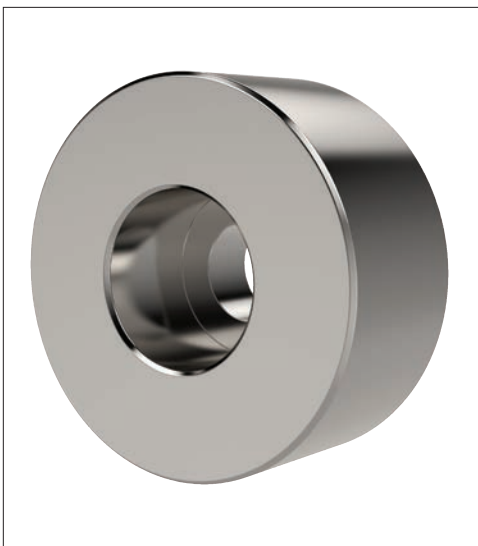
To improve handling of smooth or slippery components, with a minimum of clamping pressure, our abrasive diamond coated pads provide an excellent solution.

### Abrasive Diamond Coated

Diamond powders are permanently fused to a 17-4 stainless pad, to provide an abrasive surface comparable to 100 grit value.



**Sandpaper of 100 grit texture**



Pads of 17-4 Stainless, hardened to RC 43/46 provide solutions to applications where material selection is of greater importance; for example nuclear or food processing or pharmaceutical applications.

### Stainless Pads