

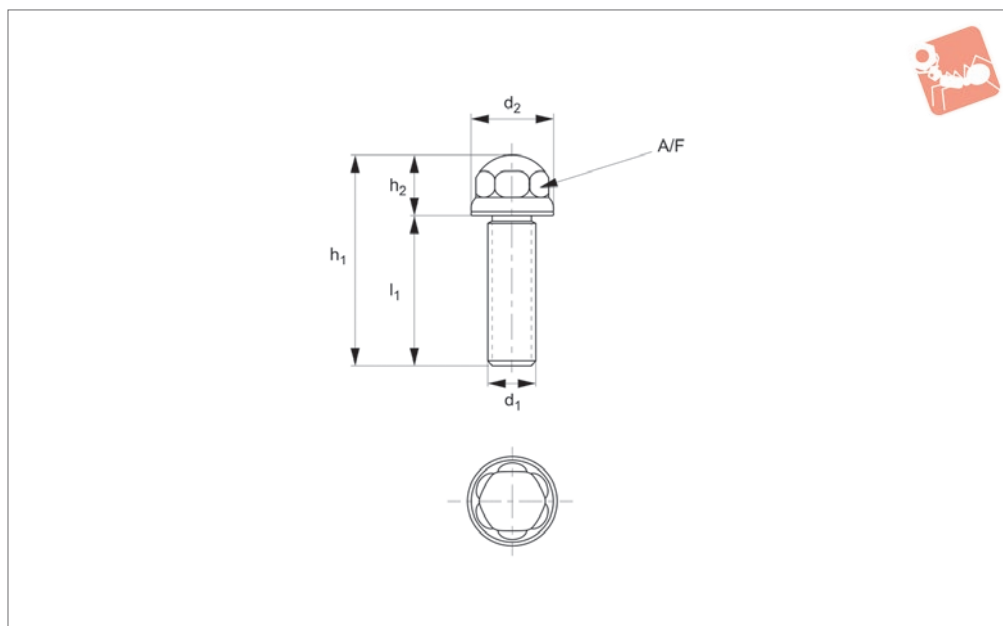


Hygienic Screws - Male

304 stainless steel



Sealing Screws



37370

SEALING SCREWS

Material

Stainless steel (AISI 304) high-gloss polished dome-nut, FDA blue silicone gasket, 3-A accepted.

be mounted without dead spaces.

Sealing ring is hydrogenated acrylonitrile butadiene rubber (H-NBR), hardness 85±5 shore A, temp range -25°C to +150°C, blue.

Polished finish Ra < 0,8µ.

Technical Notes

For use in hygienic areas, components can

Order No.	d ₁	d ₂	h ₁	l ₁	h ₂	A/F
37370.W0510	M5x0,8	19	24	10	14	HEX 14
37370.W0516	M5x0,8	19	26	16	10	HEX 14
37370.W0520	M5x0,8	19	34	20	14	HEX 14
37370.W0612	M6x1	19	26	12	14	HEX 14
37370.W0616	M6x1	19	30	16	14	HEX 14
37370.W0620	M6x1	19	34	20	14	HEX 14
37370.W0625	M6x1	19	39	25	14	HEX 14
37370.W0630	M6x1	19	44	30	14	HEX 14
37370.W0816	M8x1,25	24	33	16	17	HEX 17
37370.W0820	M8x1,25	24	37	20	17	HEX 17
37370.W0825	M8x1,25	24	42	25	17	HEX 17
37370.W0830	M8x1,25	24	47	30	17	HEX 17
37370.W0840	M8x1,25	24	57	40	17	HEX 17
37370.W1020	M10x1,5	24	37	20	17	HEX 17
37370.W1025	M10x1,5	24	42	25	17	HEX 17
37370.W1030	M10x1,5	24	47	30	17	HEX 17
37370.W1040	M10x1,5	24	57	40	17	HEX 17
37370.W1050	M10x1,5	24	67	50	17	HEX 17
37370.W1220	M12x1,75	24	27	20	7	HEX 17
37370.W1225	M12x1,75	24	42	25	17	HEX 17
37370.W1230	M12x1,75	24	47	30	17	HEX 17
37370.W1240	M12x1,75	24	57	40	17	HEX 17
37370.W1250	M12x1,75	24	67	50	17	HEX 17
37370.W1630	M16x2	30	52	30	22	HEX 22
37370.W1640	M16x2	30	62	40	22	HEX 22
37370.W1650	M16x2	30	72	50	22	HEX 22
37370.W1660	M16x2	30	82	60	22	HEX 22
37370.W1670	M16x2	30	92	70	22	HEX 22
37370.W1680	M16x2	30	102	80	22	HEX 22
37370.W2030	M20x2,5	35	56	30	26	HEX 27
37370.W2040	M20x2,5	35	66	40	26	HEX 27
37370.W2050	M20x2,5	35	76	50	26	HEX 27



Order No.	d ₁	d ₂	h ₁	l ₁	h ₂	A/F
37370.W2060	M20x2,5	35	86	60	26	HEX 27
37370.W2070	M20x2,5	35	96	70	26	HEX 27
37370.W2080	M20x2,5	35	106	80	26	HEX 27