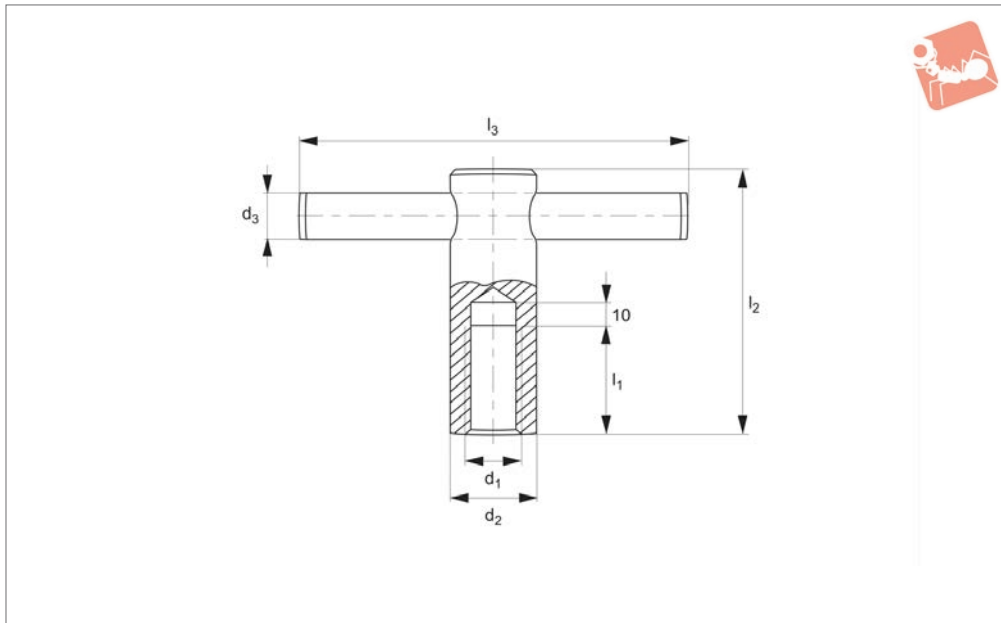




# Tommy Nuts with fixed bar - DIN 6305

## Thumb Screws



### 38200

THUMB SCREWS

#### Material

Free-cutting steel, blackened. Moveable bar retained by spring.

#### Technical Notes

\* - DIN standards do not include these dimensions.

Order No.	d <sub>1</sub>	l <sub>1</sub>	d <sub>2</sub>	d <sub>3</sub>	l <sub>2</sub>	l <sub>3</sub>	Weight g
<b>38200.W0508</b>	M 8	16	16	6	50	60	79
<b>38200.W0510</b>	M10	20	18	8	60	80	127
<b>38200.W0512</b>	M12	25	20	10	70	100	192
<b>38200.W0516</b>	M16	35	24	12	85	120	318
<b>38200.W0520</b>	M20	40	30	16	95	140	590