

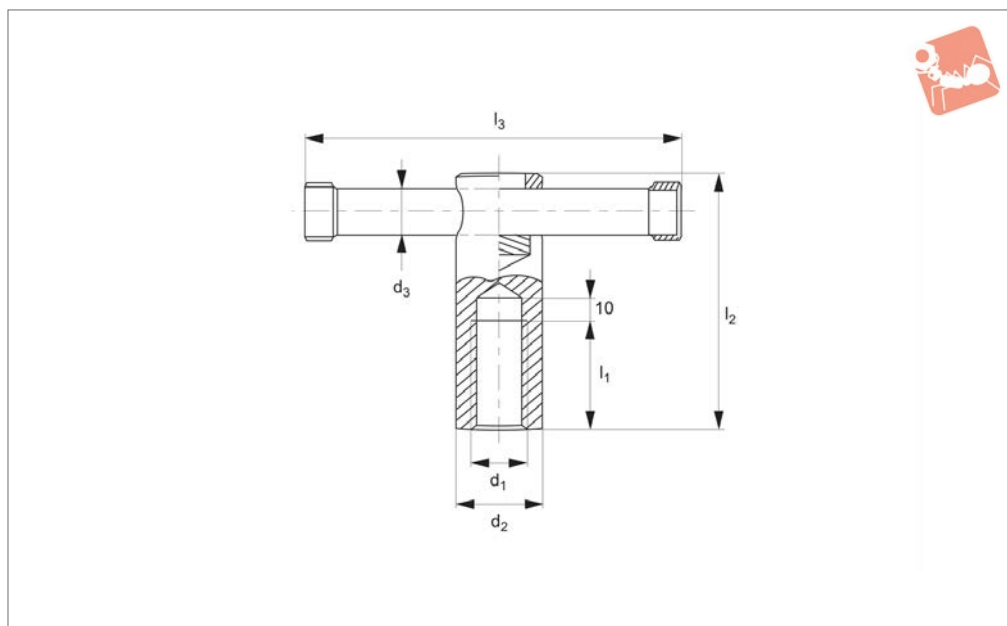


Tommy Nuts

with moveable bar - DIN 6307



Thumb Screws



38300

THUMB SCREWS

Material

Free-cutting steel, blackened. Moveable bar retained by spring.

Technical Notes

* - DIN standards do not include these dimensions.

Order No.	d ₁	l ₁	d ₂	d ₃	l ₂	l ₃	Weight g
38300.W0708	M 8	16	16	6	50	60	69
38300.W0710	M10	20	18	8	60	80	112
38300.W0712	M12	25	20	10	70	100	179
38300.W0716	M16	35	24	13	85	120	327
38300.W0720	M20	40	30	16	95	140	581