

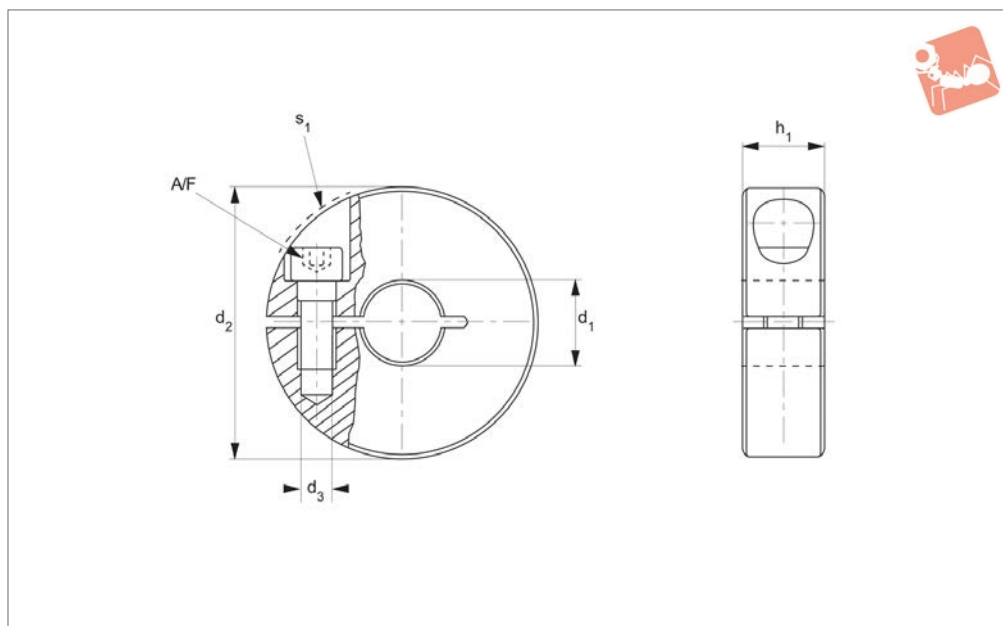


# Set Collars

one piece - slotted



# Set Collars



**38620**

SET COLLARS

### Material

#### Steel type:

Steel, black, steam oxidized.

#### Stainless steel type:

Stainless steel (AISI 316, 1.4404).

### Technical Notes

Slotted set collars with strong clamping

force. Universal applicability: e.g as a fixed collar. stop. The stainless steel type is extremely resistant to corrosive environments. Also available in divided finish - see part no. 38624.

Dimension  $s_1$  indicates the max. stroke or movement of  $d_2$  during tightening of the

Order No.	Material	$d_1$ tol. H10	$d_2$	$d_3$	$h_1$	A/F	Stroke $s_1$ max.	Weight g
38620.W0006	Steel	6	20	M 3	9	3	1.2	20
38620.W0008	Steel	8	22	M 3	9	3	1.0	18
38620.W0010	Steel	10	26	M 4	11	3	1.6	33
38620.W0012	Steel	12	30	M 4	11	3	0.7	42
38620.W0014	Steel	14	32	M 4	11	3	0.7	40
38620.W0015	Steel	15	36	M 5	13	4	1.4	73
38620.W0016	Steel	16	36	M 5	13	4	1.4	66
38620.W0018	Steel	18	42	M 5	15	4	0.6	120
38620.W0020	Steel	20	42	M 5	15	4	0.6	104
38620.W0022	Steel	22	48	M 5	15	4	0.0	139
38620.W0025	Steel	25	48	M 5	15	4	0.0	130
38620.W0028	Steel	28	55	M 6	15	5	0.5	171
38620.W0030	Steel	30	55	M 6	15	5	0.5	162
38620.W0032	Steel	32	60	M 6	15	5	0.4	196
38620.W0035	Steel	35	60	M 6	15	5	0.4	180
38620.W0040	Steel	40	65	M 6	15	5	0.5	183
38620.W0106	Stainless	6	20	M 3	9	3	1.2	20
38620.W0108	Stainless	8	22	M 3	9	3	1.0	18
38620.W0110	Stainless	10	26	M 4	11	3	1.6	33
38620.W0112	Stainless	12	30	M 4	11	3	0.7	42
38620.W0114	Stainless	14	32	M 4	11	3	0.7	40
38620.W0115	Stainless	15	36	M 5	13	4	1.4	73
38620.W0116	Stainless	16	36	M 5	13	4	1.4	66
38620.W0118	Stainless	18	42	M 5	15	4	0.6	120
38620.W0120	Stainless	20	42	M 5	15	4	0.6	104
38620.W0122	Stainless	22	48	M 5	15	4	0.0	139
38620.W0125	Stainless	25	48	M 5	15	4	0.0	130
38620.W0128	Stainless	28	55	M 6	15	5	0.5	171
38620.W0130	Stainless	30	55	M 6	15	5	0.5	162
38620.W0132	Stainless	32	60	M 6	15	5	0.4	196

# Set Collars



# Set Collars

one piece - slotted



Order No.	Material	$d_1$ tol. H10	$d_2$	$d_3$	$h_1$	A/F	Stroke $s_1$ max.	Weight g
<b>38620.W0135</b>	Stainless	35	60	M 6	15	5	0.4	180
<b>38620.W0140</b>	Stainless	40	65	M 6	15	5	0.5	182

SET COLLARS