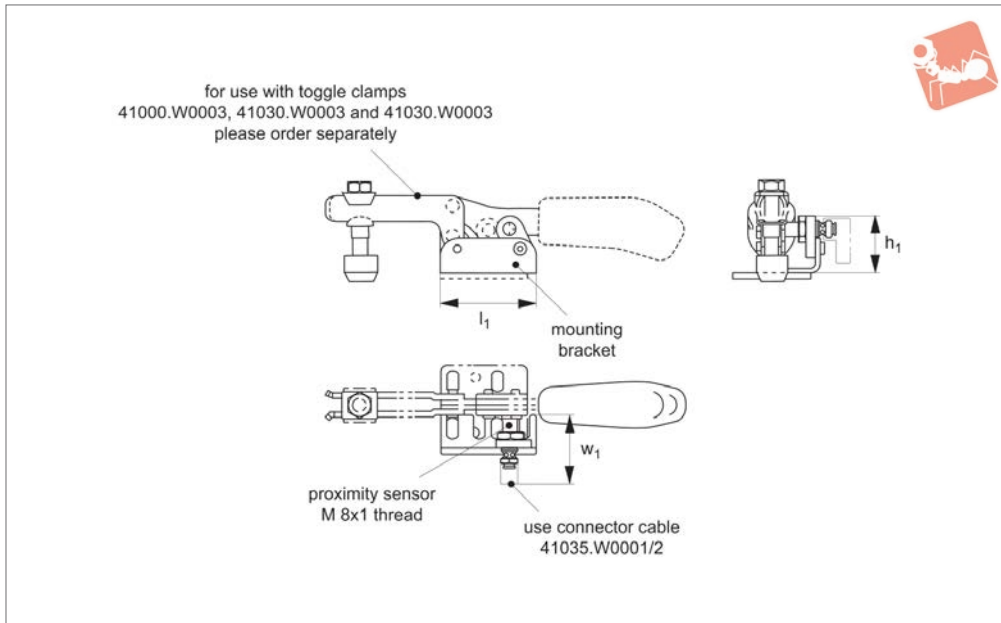




Position Sensor for manual toggle clamps

Toggle Clamp Accessories



41035.1

TOGGLE CLAMP ACCESSORIES

Material

Sensor and mounting bracket: steel, zinc plated complete with inductive sensor M 8x1.

Cable: angled connector with cable permanently injection moulded on. Silicone-free, halogen-free, gold plated contacts. IP68 rated in accordance to IEC529.

Technical Notes

Monitors the closed position of a toggle

clamp and enables their integration into fixture/application monitoring systems. Sensor monitor can be used on both sides for horizontal toggle clamp nos. 41000.W0003, 41030.W0003 and 41000.W0103, and only on one side for horizontal toggle clamp with safety latch no. 41000.W0003. Temperature range: 0°C to 60°C. Sensing bracket 41035.W0103 can be integrated into your monitoring system using cables 41035.W0001 or W0002 and can be

rewired either PNP or NPN (see circuit diagram below).

Tips

Order toggle clamp separately.

Order No.	Type	Cable length m	w ₁	h ₁	l ₁	Weight g
41035.W0001	Cable	2	-	-	-	75
41035.W0002	Cable	5	-	-	-	150
41035.W0103	Bracket	-	40	35	55	60

