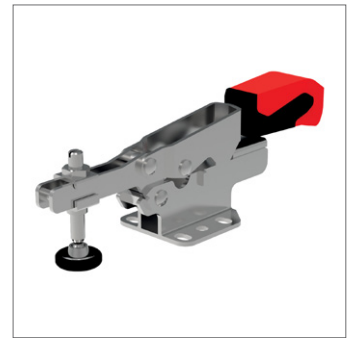
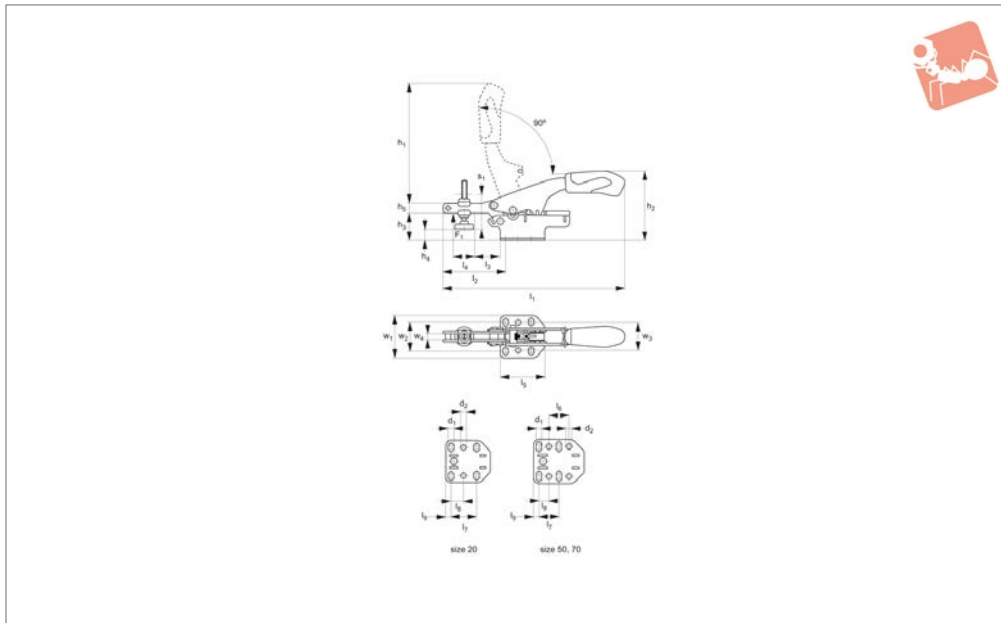




Auto-Adjust Toggle Clamp

open clamping arm - horizontal base

Auto-Adjust Toggle Clamps



42605

AUTO-ADJUST TOGGLE CLAMPS

Material

Body: steel, zinc plated.
Ergonomic soft feel oil-resistant handle with large grip area.

Supplied complete with zinc-plated clamping screw (with rubber pad).

Technical Notes

Automatically adjusts to suit workpiece height.

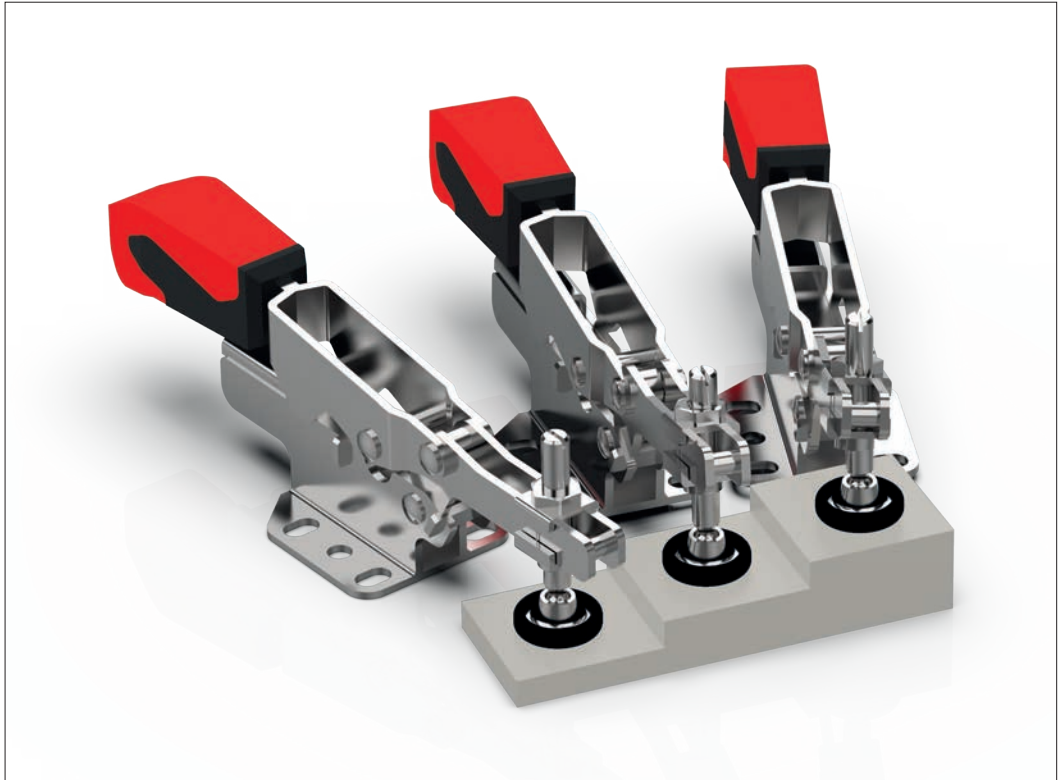
Order No.	Size	F ₁ kN	Automatic height compensation s ₁						d ₁	d ₂	h ₁	h ₂	h ₃	h ₄ min.	h ₄ max.	h ₅	Weight g
42605.W0020	20	2	20						5.5	5.5	121	70	27	-7.0	11.0	10	345
42605.W0050	50	3	35						6.5	6.5	174	72	23	-8.9	1.5	13	520
42605.W0070	70	3	35						6.5	6.5	174	90	41	-6.6	19.7	13	575

Order No.	l ₁	l ₂	l ₃	l ₄	l ₅	l ₆	l ₇	l ₈	l ₉	w ₁	w ₂	w ₃	w ₄	Clamping screw	Height compensation max.
42605.W0020	184	63	22.0	26.0	45.0	-	26.0	12.7	5.3	42.5	26-32	28	6.1	M 6x49	35
42605.W0050	261	104	35.2	22.2	63.5	25.4	25.4	12.7	6.3	57.0	32-44	38	8.4	M 8x50	40
42605.W0070	261	104	35.0	50.0	63.5	25.4	25.4	12.7	6.3	57.0	32-44	38	8.5	M 8x66	60

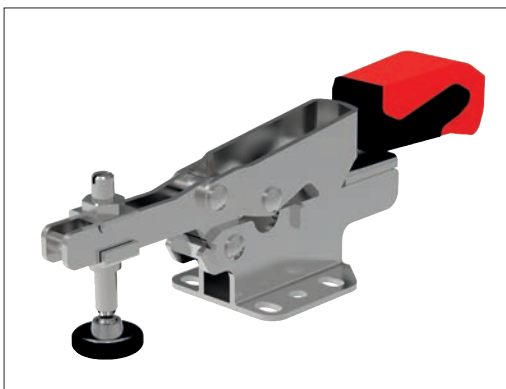


Benefits

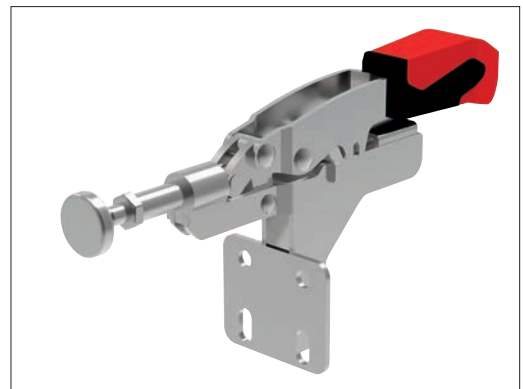
- Automatically adapts to workpiece height / width.
- Ideal for small batch sizes.
- Adjustable clamping forces.



Example Toggle Clamps



42605 - Horizontal base - vertical acting



42611 - Push pull type - horizontal acting