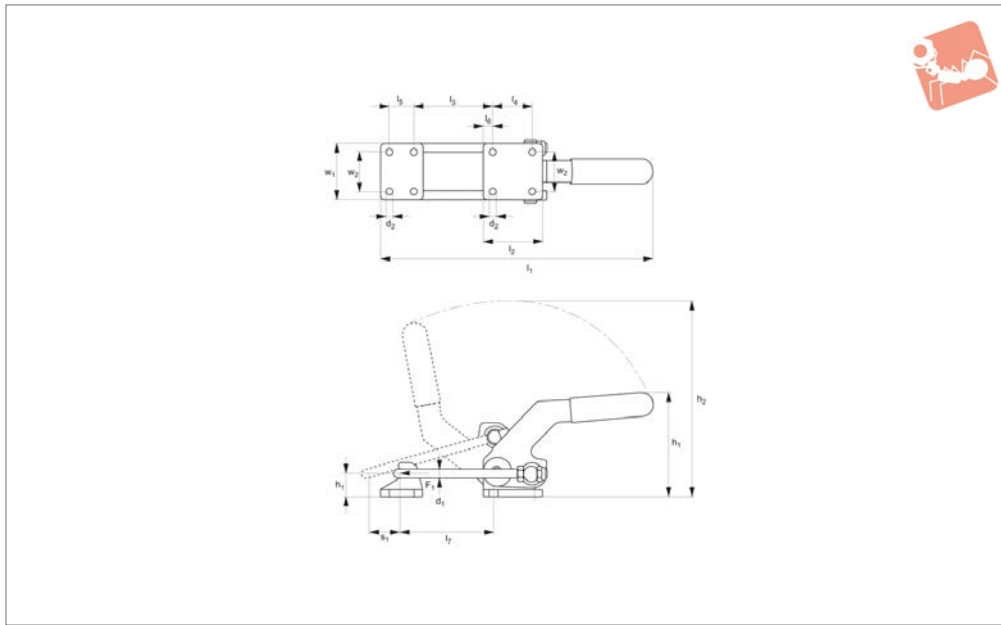




Heavy Duty Hook Toggle Clamp

for high retaining force

Heavy Duty Toggle Clamps



46030

HEAVY DUTY TOGGLE CLAMPS

Material

Foot, lever, arm and catch: cast steel, black oxide coated.

Strap, pins and nuts: steel, heat treated and zinc plated.

Pins: hardened, ground and permanently lubricated.

Handle: ergonomic soft feel, oil-resistant, with large grip area.

Supplied complete with counter catch.

Technical Notes

Four mounting holes in both foot and

catch.

Circlips are used to retain pins in bearing bushes, and to centre the clamping pin. Temperature range -10°C to +80°C.

Order No.	Size	F ₁ kN	Adj. distance	Stroke s ₁	h ₁	h ₂	l ₁	l ₂	Weight g
46030.W0204	4	15	66	44	228	122	245-311	183	2830
46030.W0205	5	27	65	47	285	146	313-378	238	4020
Order No.	l ₃	l ₄	l ₅	l ₆	l ₇	w ₁	w ₂	d ₁	d ₂
46030.W0204	42-107	24-90	68	45	28	64	45	10	8.5
46030.W0205	49-114	28-93	86	57	35	82	57	12	10.5