

61242

ANTI-VIBRATION

Material

Rubber on silver zinc plated steel (rubber hardness - 65 Shore A).

Tips

These anti-vibration cones or bumpers are

used to reduce vibration and shock. Their conical shape ensures that when used in a row, the buffers spread loads over a number of cones - reducing the chances of possible overloading.

Important Notes

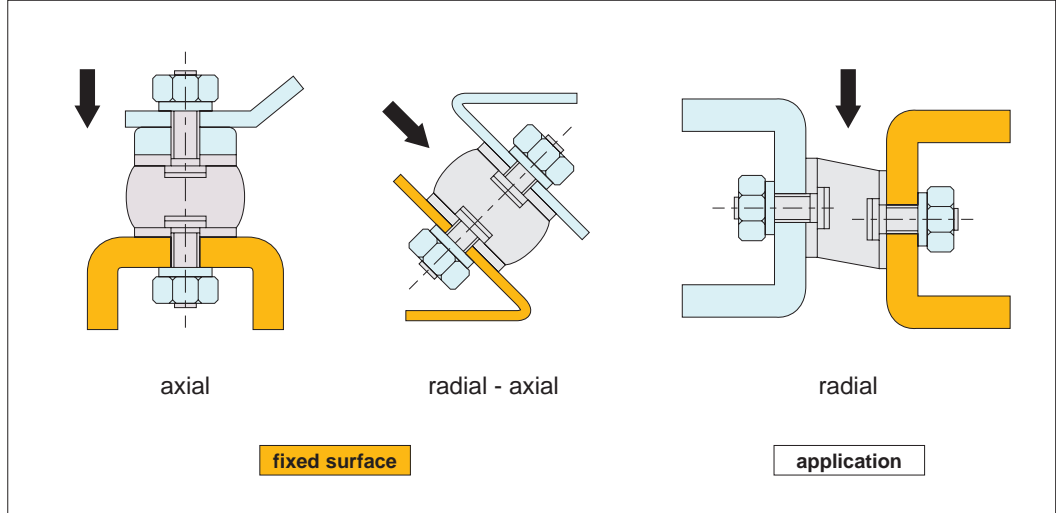
The working load should not exceed 65% of the maximum load.

Order No.	d ₁	h ₁	d ₂	Axial load kgf max.
61242.W0200	20	20	M 6	70
61242.W0250	25	20	M 8	100
61242.W0300	30	30	M 6	150
61242.W0500	50	48	M10	380
61242.W0700	70	60	M12	550
61242.W0900	90	74	M16	1100
61242.W0950	95	82	M16	1100



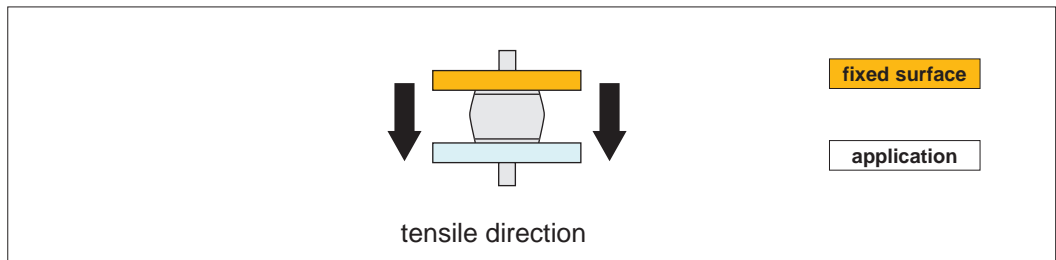
Acceptable loads

Cylindrical mounts are never to be used in tension, they should only be used in axial or radial. Radial loads are however considerably less than axial loads. Parts with small diameters (d_1) and relatively long lengths (h) cannot accept radial loads.



Installation

Incorrect installation



Correct installation

The height of the insulator may vary as the rubber is compressed under load.

Do not remove the rubber burr around the edge of the metal, this could cause detachment of rubber from the metal studs.

