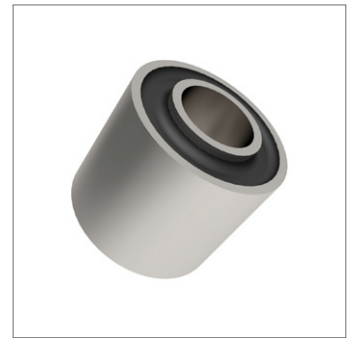
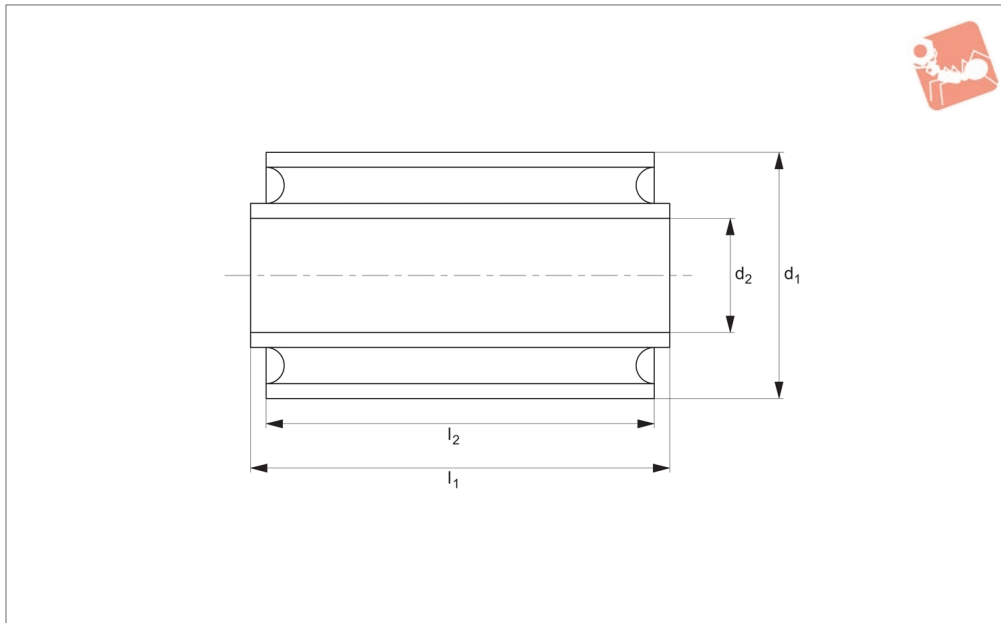




Anti-vibration Bushes

metal-rubber

Anti-Vibration



61700

ANTI-VIBRATION

Material

Rubber on steel.

noise. The internal bush can move axially, radially, torsionally and pendular.

when putting into place.

Technical Notes

Useful to isolate vibration and reduce

Tips

Install by only pushing on external ring

Order No.	d ₁	d ₂	l ₁	l ₂	Radial compression mm	Axial load kgf max.	Radial load kgf max.	Axial compression mm
61700.W0081	16	8	15	15	0.2	15	30	0.8
61700.W0091	20.5	9.5	15	13	0.2	15	35	1.0
61700.W0101	21	10	26	24	0.4	25	70	1.5
61700.W0102	27	10	20	20	0.2	25	80	1.0
61700.W0111	24	11	18	16	0.3	24	90	0.8
61700.W0121	26	12	24	20	0.5	27	70	1.7
61700.W0123	50	12	50	45	1.1	60	200	2.1
61700.W0124	54	12.8	44.5	40	1.0	50	180	2.0
61700.W0141	27	14	54	48	0.4	95	330	1.5
61700.W0142	30	14	28	25	0.3	40	120	2.0
61700.W0144	31	14	35	33	0.3	70	170	2.0
61700.W0145	30	14.5	42	38	0.2	48	150	1.8
61700.W0146	50	14.5	24	20	0.9	45	70	2.0
61700.W0161	44	16	32	28	0.7	47	88	1.6
61700.W0163	54	16	28	22	1.5	40	80	3.4
61700.W0181	35	18	40	40	0.3	80	190	2.0
61700.W0182	43.5	18	42	35	0.8	85	200	3.8
61700.W0201	40	20	46	40	0.4	80	250	1.2
61700.W0202	41	20	20.5	20.5	0.4	40	100	1.0
61700.W0221	40	22	45	40	0.5	115	850	2.2
61700.W0222	63	22	72	65	0.6	265	670	4.0
61700.W0241	42	24	55	50	0.5	150	550	1.8
61700.W0242	50	24	71	65	0.7	220	750	2.4
61700.W0251	45	25	50	50	0.5	150	550	1.8
61700.W0253	65	25	55	45	0.6	180	450	3.8
61700.W0254	83	25	100	90	2.0	130	400	5.0
61700.W0281	48	28	36	34	0.7	100	210	2.5
61700.W0283	65	28	70	65	1.7	280	600	4.8
61700.W0284	75	28	135	125	0.5	480	1600	2.3
61700.W0381	64	38	76	70	0.4	380	860	2.6
61700.W0401	75	40	70	57	0.6	350	600	2.8
61700.W0421	78	42	86	80	0.5	350	1100	2.4
61700.W0481	93	48	80	76	0.6	800	1500	5.3



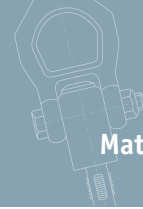
Order No.	d ₁	d ₂	l ₁	l ₂	Radial compression mm	Axial load kgf max.	Radial load kgf max.	Axial compression mm
61700.W0501	90	50	100	86	0.5	800	1500	5.1
61700.W0581	85	58	142	90	0.5	350	1800	1.6
61700.W0601	110	60	182	170	0.6	800	3000	1.8
61700.W0701	120	70	115	110	1.0	800	3500	3.5
61700.W0801	140	80	180	170	0.5	1500	7500	2.5
61700.W0901	145	100	120	110	0.4	850	2700	2.2

ANTI-VIBRATION



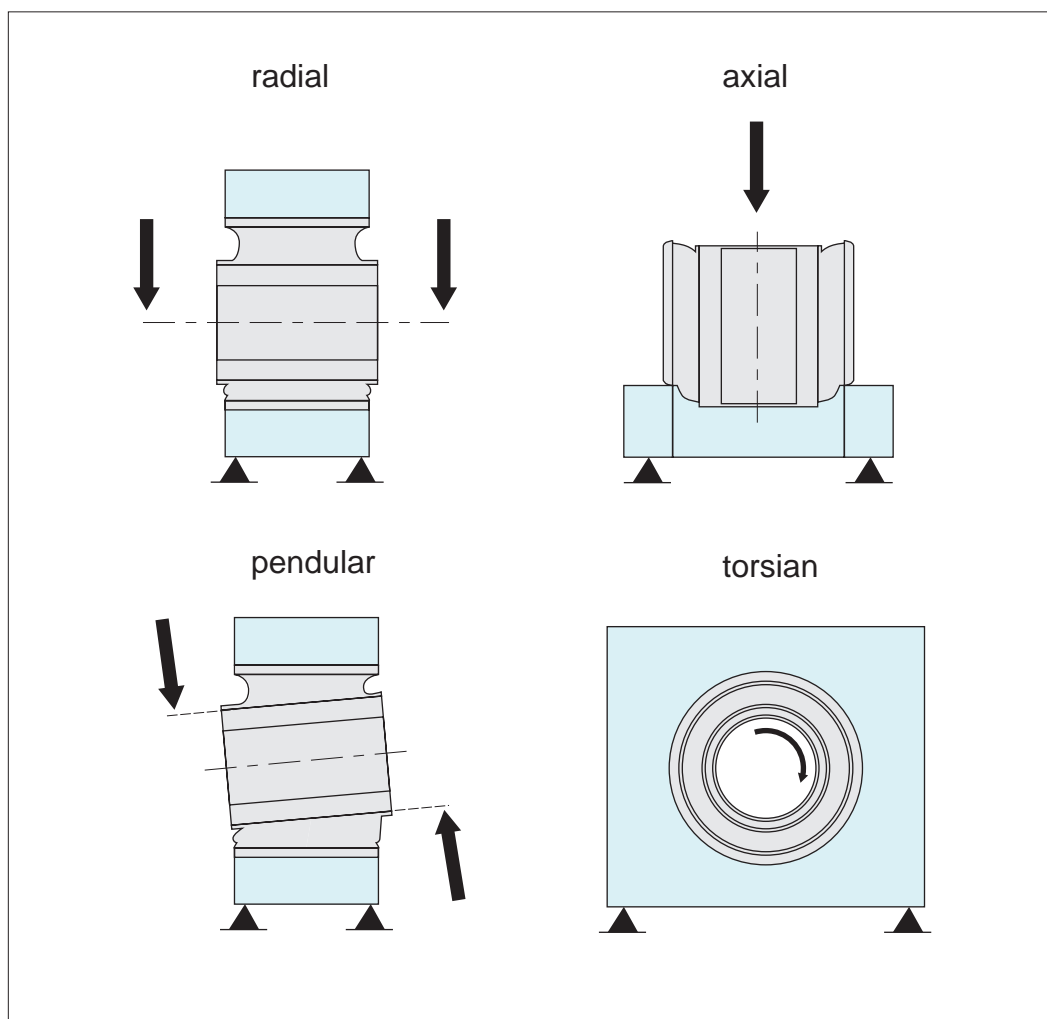
Anti-vibration Bushes

metal-rubber



61700
Materials Handling

Range of movement



ANTI-VIBRATION

Inside diameter (d ₂)	Tolerances	Inside diameter (d ₁)	Tolerances
From 8mm to 15mm	-0 / + 0,15	From 16mm to 30mm	-0 / + 0,10
From 16mm to 25mm	-0 / + 0,30	From 31mm to 70mm	-0 / + 0,15
From 26mm to 50mm	-0 / + 0,30	From 71mm to 100mm	-0 / + 0,10

ov-W61700-A-T-anti-vibration-bushes-metal-rubber-rmh-Updated-28-10-2022