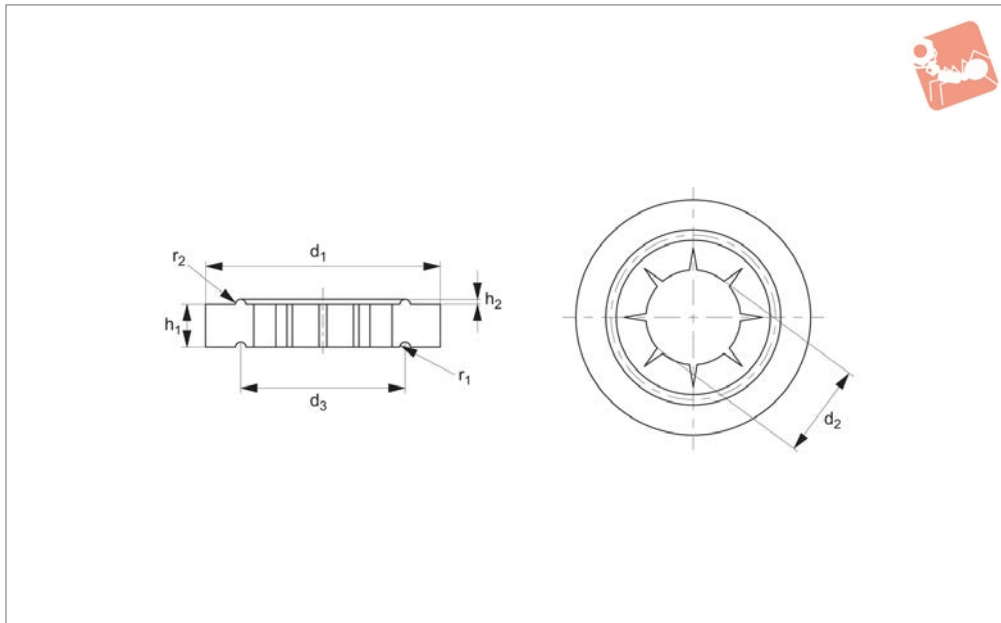




Anti-vibration Rings

internal star design

Anti-Vibration



61730

ANTI-VIBRATION

Material

Rubber on silver zinc plated steel (rubber hardness - 65 Shore A).

Order No.	d ₁	d ₂	d ₃	h ₁	h ₂	r ₁	r ₂	Compression max.	Axial load kgf max.
61730.W0001	162	66	114	30	2.5	4.5	2.5	5	2000
61730.W0002	170	95	125	23	2.5	5	2.5	4	2000
61730.W0003	210	88	164	24	2	4	2	4.5	6000