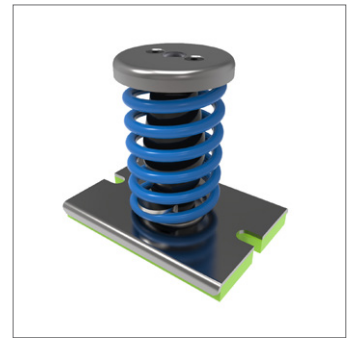
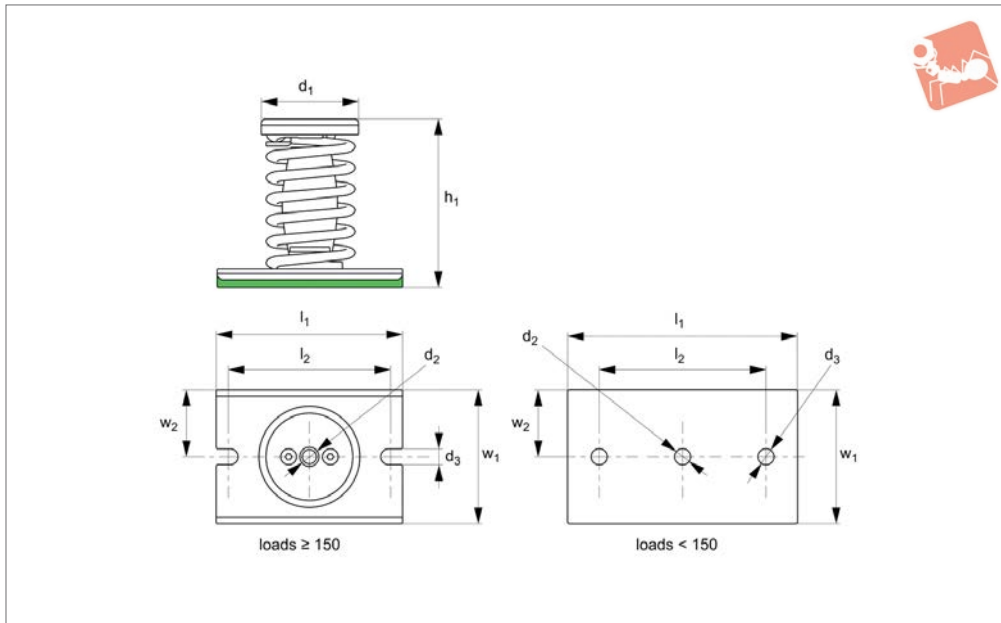




Spring Vibration Damper one spring one spring

Anti-Vibration



61922

ANTI-VIBRATION

Material

High tensile steel with sylomer anti-slide base.

porate, isolates the mid-high frequency vibrations which are transmitted through the coils of the metal springs.

compressors, pump and pumping equipment and acoustic isolation of premises.

Technical Notes

The sylomer mat that these dampers incor-

Tips

These are used in sectors such as air

Order No.	Spring colour	l_1	h_1	d_1	w_1	d_2	d_3	l_2	w_2	Compression max.	Load kgf max.	Weight kg
61922.W0080	Black	100	78	54	69.5	M 8	8.5	80	34.75	20	25	0.29
61922.W0081	Blue	100	78	54	69.5	M 8	8.5	80	34.75	20	50	0.27
61922.W0082	Grey	100	78	54	69.5	M 8	8.5	80	34.75	20	75	0.30
61922.W0083	Beige	100	78	54	69.5	M 8	8.5	80	34.75	20	100	0.35
61922.W0084	White	100	78	54	69.5	M 8	8.5	80	34.75	20	125	0.395
61922.W0120	Blue	140	127	75	98.5	M12	12	120	49.25	30	150	1.10
61922.W0121	White	140	127	75	98.5	M12	12	120	49.25	30	200	1.14
61922.W0122	Black	140	127	75	98.5	M12	12	120	49.25	30	250	1.23
61922.W0123	Cream	140	127	75	98.5	M12	12	120	49.25	30	350	1.39
61922.W0140	Light Grey	140	127	93	98.5	M14	12	120	49.25	18	500	2.56
61922.W0141	Green	140	127	93	98.5	M14	12	120	49.25	18	750	3.04