



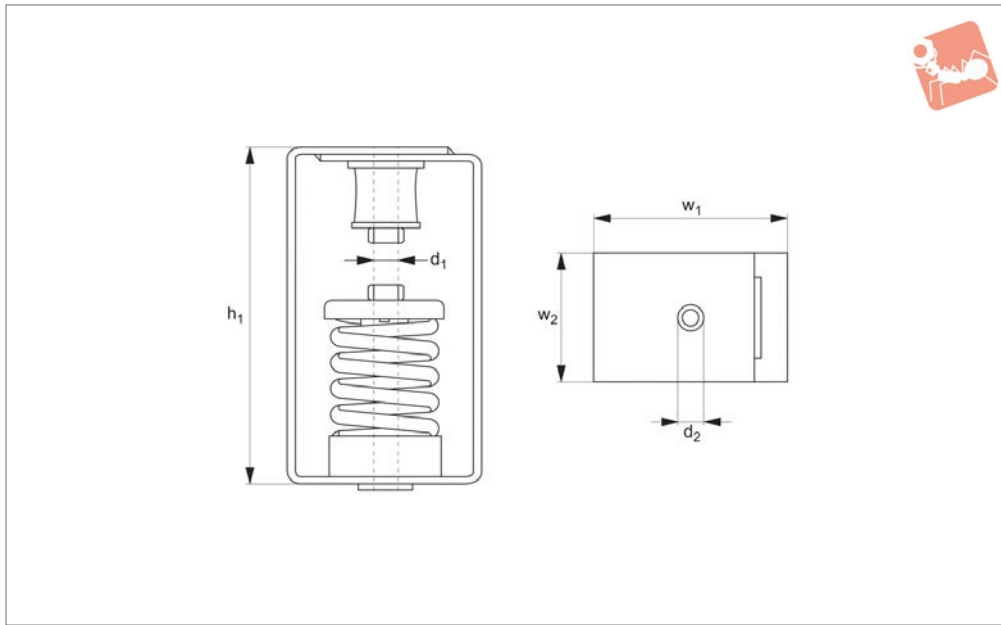
Acoustic Suspension Hanger top top mount

Anti-Vibration



61932

ANTI-VIBRATION



Material

Zinc plated steel and rubber.

The spring in the body provides good anti-vibration properties.

These hanger can be used for fans, distribution pipes, ducts and acoustic ceilings.

Technical Notes

These units are designed for installations where objects are suspended from ceilings.

Tips

Select the damper corresponding to the load to be carried per unit.

Order No.	d ₁	w ₁	h ₁	d ₂	w ₂	h ₁	Load kgf max.
61932.W0025	M8	75	150	12	50	25	25
61932.W0050	M8	75	150	12	50	50	50
61932.W0075	M8	75	150	12	50	75	75
61932.W0100	M8	75	150	12	50	100	100