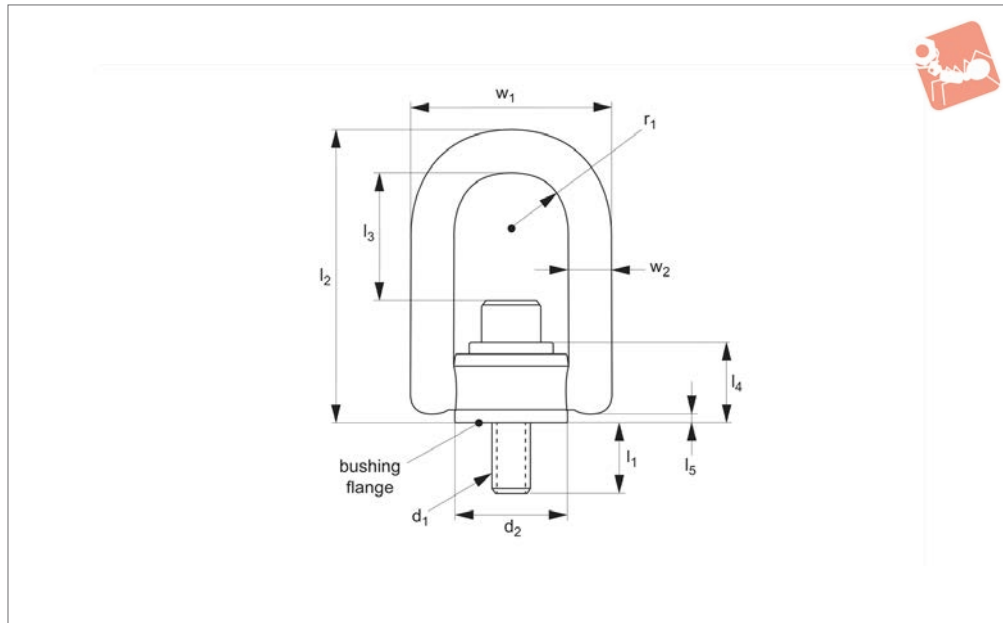




# Lifting Points - Double Swivel - Male standard bar - UNC - thread

## Lifting Points & Shackles



**63511**

LIFTING POINTS & SHACKLES

### Material

Forged alloy steel (4140), min. tensile strength 180,000psi. Black oxide coated.

### Technical Notes

Meets manufacturing and design requirements of ASME -B30.26 and MIL-STD 209.

Magnetic particle inspected per ASTM 1444.

### Tips

Min. design safety factor 5:1. 360° swivel and 180° pivot underload. Each part individually serial numbered.

tl = recommended torque load (ft - lbs).

### Important Notes

**All dimensions in imperial.**

Always follow safety instructions.

Order No.	Rated load lb	d <sub>1</sub> UNC	d <sub>2</sub>	l <sub>1</sub>	l <sub>2</sub>	l <sub>3</sub>	l <sub>4</sub>	l <sub>5</sub>	r <sub>1</sub>	w <sub>1</sub>	w <sub>2</sub>	tl ft-lb	Weight lb
63511.W0251I	550	1/4-20	1.25	0.56	3.23	1.57	0.96	0.15	0.65	2.29	0.44	5	0.50
63511.W0311I	800	5/16-18	1.25	0.56	3.23	1.51	0.96	0.15	0.65	2.29	0.44	7	0.52
63511.W0312I	800	5/16-18	1.25	1.06	3.23	1.51	0.96	0.15	0.65	2.29	0.44	7	0.54
63511.W0371I	1000	3/8-16	1.25	0.56	3.23	1.45	0.96	0.15	0.65	2.29	0.44	12	0.56
63511.W0342I	1000	3/8-16	1.25	1.06	3.23	1.45	0.96	0.15	0.65	2.29	0.44	12	0.58
63511.W0501I	2250	1/2-13	1.25	1.06	3.23	1.45	0.96	0.15	0.65	2.29	0.44	25	0.60
63511.W0502I	2500	1/2-13	1.89	0.75	5.31	2.56	1.50	0.17	1.00	3.50	0.75	28	1.71
63511.W0503I	2500	1/2-13	1.89	1.00	5.31	2.56	1.50	0.17	1.00	3.50	0.75	28	1.72
63511.W0504I	2500	1/2-13	1.89	1.25	5.31	2.56	1.50	0.17	1.00	3.50	0.75	28	1.82
63511.W0631I	4000	5/8-11	1.89	0.75	5.31	2.44	1.50	0.17	1.00	3.50	0.75	60	1.76
63511.W0632I	4000	5/8-11	1.89	1.00	5.31	2.44	1.50	0.17	1.00	3.50	0.75	60	1.78
63511.W0633I	4000	5/8-11	1.89	1.25	5.31	2.44	1.50	1.89	1.00	3.50	0.75	60	1.88
63511.W0751I	5000	3/4-10	1.89	1.00	5.31	2.31	1.50	0.17	1.00	3.50	0.75	100	1.89
63511.W0752I	5000	3/4-10	1.89	1.50	5.31	2.31	1.50	0.17	1.00	3.50	0.75	100	2.02
63511.W0754I	7000	3/4-10	2.81	1.20	7.37	3.57	2.05	0.18	1.40	5.10	1.00	100	7.23
63511.W0755I	7000	3/4-10	2.81	1.45	7.37	3.57	2.05	0.18	1.40	5.10	1.00	100	7.25
63511.W0881I	8000	7/8-9	2.81	0.95	7.37	3.32	2.05	0.18	1.40	5.10	1.00	160	7.33
63511.W0882I	8000	7/8-9	2.81	1.20	7.37	3.32	2.05	0.18	1.40	5.10	1.00	160	7.33
63511.W1001I	10000	1-8	2.81	1.45	7.37	3.20	2.05	0.18	1.40	5.10	1.00	230	7.57
63511.W1002I	10000	1-8	2.81	1.20	7.37	3.20	2.05	0.18	1.40	5.10	1.00	230	7.63
63511.W1003I	10000	1-8	2.81	2.20	7.37	3.20	2.05	0.18	1.40	5.10	1.00	230	7.81
63511.W1251I	15000	1-1/4-7	3.88	1.88	9.22	3.74	2.87	0.18	2.00	6.75	1.25	470	15.74
63511.W1252I	15000	1-1/4-7	3.88	2.63	9.22	3.74	2.87	0.18	2.00	6.75	1.25	470	16.00
63511.W1501I	24000	1-1/2-6	3.88	2.63	9.22	3.49	2.87	0.32	2.00	6.75	1.25	800	18.10
63511.W2001I	30000	2-4-1/2	3.88	2.96	9.22	3.49	2.87	0.32	2.00	6.75	1.25	1100	22.90
63511.W2002I	30000	2-8	3.88	2.96	9.22	3.49	2.87	0.32	2.00	6.75	1.25	1100	22.90



Heavy duty safety hoist rings are stronger than competitive lifting devices, providing better value while delivering the quality and safety only the best design and manufacture can achieve.

- Manufactured from high strength alloy steel.
- One piece body and shouldered d-ring element.
- Just 6 component parts for increased safety.

The patented shoulder pin used in our heavy duty safety hoist rings allows for rotation of the pin, without shearing of any retaining dowel pin which is so often used in the construction of other competitive hoist rings. This unique design element enables disassembly of our hoist rings for inspection, compliance testing and reassembly.

## General maintenance and care

Improper maintenance and inspection of your hoist ring could result in damaged equipment, personal injury or even death. In order to ensure maximum safety please read, understand and follow these maintenance and inspection guidelines prior to using any lifting hoist ring.

### Maintenance

- When not in use, store hoist rings carefully to prevent corrosion or accidental damage.
- Do not remove the installation and safety tag from the lifting device. Ensure the identification tag remains legible during the life to the lifting device.

### Inspection

Visually inspect the lifting device prior to any use. Frequency of inspection should increase with the frequency of use, severity of service conditions and the more safety critical the use of the device. Discontinue use of any lifting device if inspection identifies any of the following:

- Missing identification tags.
- Indications of heat damage.
- Excessive corrosion or pitting.
- Damaged or missing load bearing components.
- Excessive nicks or gouges.
- Excessive thread damage.
- Evidence of unauthorised welding or modification.
- Lack of ability to swivel 360° or pivot 180°.

## Important installation and operation instructions

It is very important for you to read and comply with these installation and safety notes prior to use or any lifting device.

### Installation

- Ensure thread has been tapped perpendicular to the mounting surface. Mounting surface should be flat to provide full 360° flush seating for the hoist ring.
- For installation in ferrous metal ensure bolt is tightened to the full torque load +0-20% (as specified on the product data sheet).
- To ensure the 5:1 design safety factor we recommend the ultimate tensile strength of the mating material to be min. 80,000 psi.
- For weaker mating material consider using longer bolts or through hole mounting with a nut and washer on the back side. To prevent stripping the mating thread, lower torque values (down to half the stated value) may be considered in temporary installations.
- On completion of installation check the lifting ring can swivel and pivot freely in all directions.
- Use at temperatures between -30°C and +200°C

### Safety notes

- Never exceed the working load limit.
- Visually inspect the hoist ring for damage before each use.
- Loosening of the a bolt may develop after prolonged service, it is advisable to periodically retighten to the specified torque value.
- Apply lifting loads gradually to avoid shock loads.
- Use of free fit spacers between the lifting ring bush flange and the mounting surface is not recommended.
- Do not over size hooks nor use attachment methods which spread the ring.
- It is important to align the lifting ring with ~the direction of the load.
- Do not attach guidelines to hoist rings.
- Do not leave a gap between lifting ring bushing and mounting surface.
- Never allow personnel to walk underneath a suspended load.



# Hoist Ring Safety and Installation

safety guidelines



$$F = \frac{W}{N \sin A}$$

F = force on each hoist ring  
 N = number of hoist rings  
 A = lifting angle  
 W = total weight

For example:

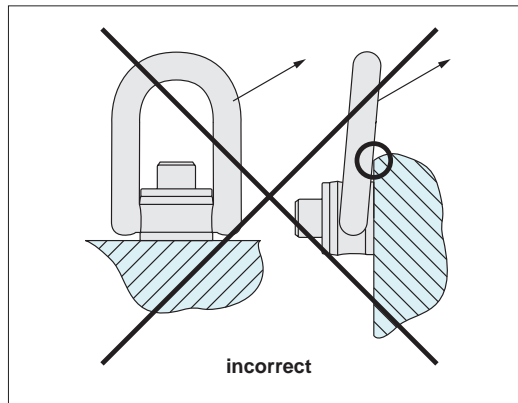
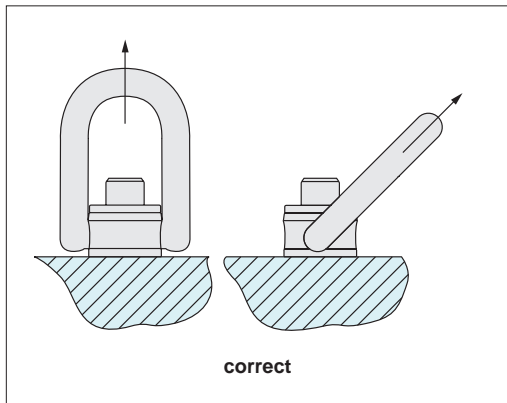
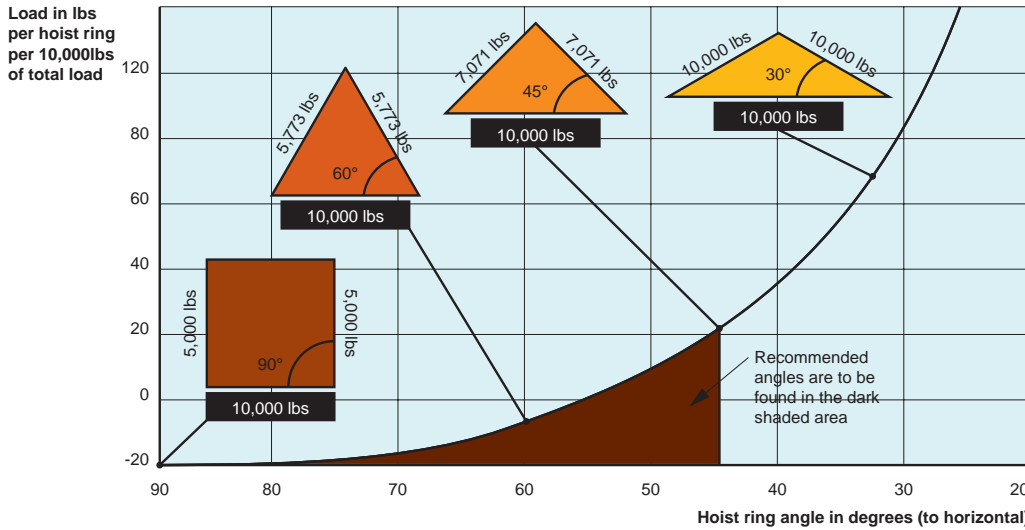
If A = 65°  $F = \frac{4000}{4 \sin 65^\circ} = 1103 \text{ lbs.}$

If A = 14°  $F = \frac{4000}{4 \sin 14^\circ} = 4134 \text{ lbs.}$

Formula to calculate the load per lifting ring

**Important note: The force exerted on each hoist ring is not simply a function of the total weight divided by the number of hoist rings, but is critically reliant upon the lifting angle, greater forces are present the lower the lifting angle. See example below.**

## Angular lifting



Do not allow the lifting ring to bind/stick and hence apply side loads to the bail. Ensure loads applied are in the same direction of the bail. If necessary use a spreader bar to avoid binding.

