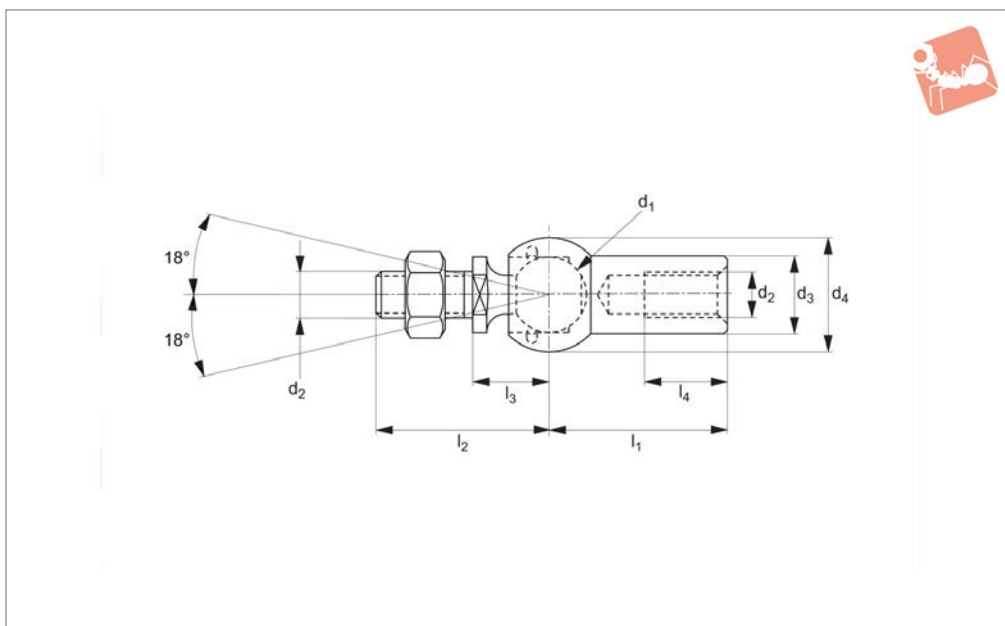




Stainless Axial Ball and Socket Joints

left hand thread

Ball and Socket Joints



65526

BALL AND SOCKET JOINTS

Material

Stainless steel (AISI 303).

Technical Notes

Similar to DIN 71802, *M14x1,5 is a fine pitch thread.

| Order No. | Thread hand | d ₁ tol. h9 | d ₂ | l ₁ | d ₃ ±0.5 | d ₄ ±0.5 | l ₂ | l ₃ | l ₄ | Extraction force N | Weight g |
|--------------------|-------------|---------------------------|----------------|----------------|------------------------|------------------------|----------------|----------------|----------------|-----------------------|-------------|
| 65526.W0005 | Left | 8 | M5 | 22 | 8 | 12.8 | 19.2 | 9 | 10.2 | 30 | 15.2 |
| 65526.W0006 | Left | 10 | M6 | 25 | 10 | 14.8 | 23.5 | 11 | 11.5 | 40 | 25.2 |
| 65526.W0008 | Left | 13 | M8 | 30 | 13 | 19.3 | 29.5 | 13 | 14.0 | 60 | 53.1 |
| 65526.W0010 | Left | 16 | M10 | 35 | 16 | 24.0 | 36.0 | 16 | 15.5 | 80 | 103.8 |
| 65526.W0014 | Left | 19 | M14x1,5* | 45 | 22 | 30.0 | 48.0 | 20 | 21.5 | 100 | 220.9 |