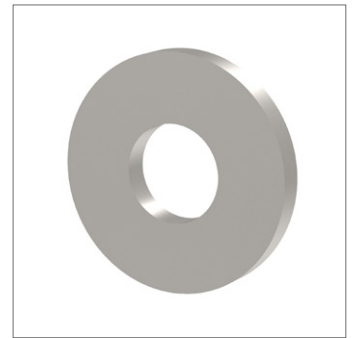
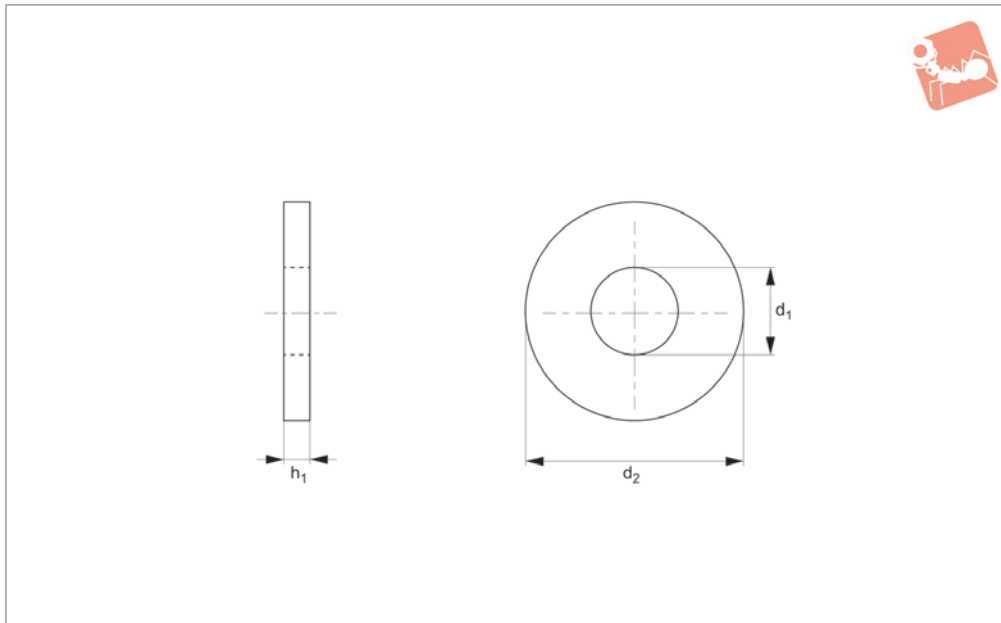




# Flat Washers Form A

A2 stainless

## Clevis Joints



**65671**

CLEVIS JOINTS

### Material

Stainless steel (A2).

### Technical Notes

To DIN 125 A.

Order No.	For thread	$d_1$	$d_2$	$h_1$	Material
65671.W0004	M 4	4.3	9	0.8	A2 s/s
65671.W0005	M 5	5.3	10	1.0	A2 s/s
65671.W0006	M 6	6.4	12	1.6	A2 s/s
65671.W0007	M 7	7.4	14	1.6	A2 s/s
65671.W0008	M 8	8.4	16	1.6	A2 s/s
65671.W0010	M 10	10.5	20	2.0	A2 s/s
65671.W0012	M 12	13.0	24	2.5	A2 s/s
65671.W0014	M 14	15.0	28	2.5	A2 s/s
65671.W0016	M 16	17.0	30	3.0	A2 s/s
65671.W0020	M 20	21.0	37	3.0	A2 s/s
65671.W0025	M 24	25.0	44	4.0	A2 s/s