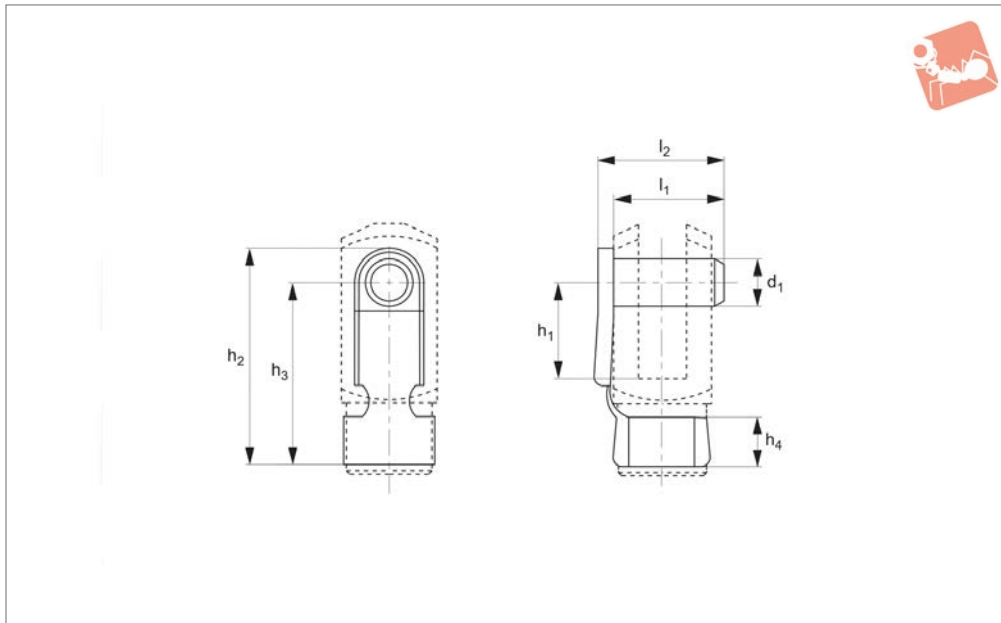




# Clevis Retention Clips

silver zinc plated

## Clevis Joints



**65684**

CLEVIS JOINTS

### Material

Pin - steel (9SMnPb28), spring - carbon steel C70, silver zinc plated.

### Tips

Clips on to base of clevis joint, for clevis joint see part numbers 65630 and 65631.

Order No.	Size	d <sub>1</sub> tol. H11	h <sub>1</sub>	h <sub>2</sub>	h <sub>3</sub>	h <sub>4</sub>	l <sub>1</sub>	l <sub>2</sub>	Weight g
65684.W0048	4x8	4	8	19	15	4	9	11	2
65684.W0051	5x10	5	10	23	19	4.5	12	14	3
65684.W0052	5x20	5	20	33	29	4.5	12	14	3
65684.W0061	6x12	6	12	28	23	6	14	16	5
65684.W0062	6x24	6	24	40	35	6	14	16	5
65684.W0081	8x16	8	16	37	31	8	19	23	11
65684.W0083	8x32	8	32	53	47	8	19	23	12
65684.W0102	10x20	10	20	46	39	10	23	27	19
65684.W0104	10x40	10	40	66	59	10	23	27	20
65684.W0122	12x24	12	24	55	46	12	28	32	32
65684.W0124	12x48	12	48	79	71	12	28	32	34
65684.W0142	14x28	14	28	62	52	14	31	34	47
65684.W0145	14x56	14	56	92	82	14	31	34	50
65684.W0163	16x32	16	32	72	62	16	36	41	67
65684.W0166	16x64	16	64	103	92	16	36	39	74
65684.W0204	20x40	20	40	88	72	16	44	49	130



### Parts overview

CLEVIS JOINTS

#### Clevis Joints

Stocked to DIN 71752 in steel and stainless steel. Plain clevis joints available in right and left hand threads zinc plated steel and stainless steel. Steel sizes from M4 up to M48. Stainless sizes from M4 up to M27.



#### Clevis Mating Pieces

These are designed to fit in between our clevis joints to create a linkage where an angular offset is required. Available in zinc plated steel and stainless steel. Sizes M4 up to M20.



#### Clevis Pins and Clips

Various styles of pins and clips to suit clevis joints in zinc plated steel and stainless steel. Sizes available to suit all sizes of clevis joints that we offer.



#### Clevis Retention Clips

These are the most popular type of clip used with our clevis joints. They create a neat compact assembly, only available in zinc plated steel. Size available for clevis joints from 4mm up to 20mm.



#### Male Clevis Joints

Stocked in zinc plated steel and stainless steel, right and left hand threads. Sizes M6 up to M20.





**Clevis with retention clip**  
65630 and 65684



**Clevis with clevis pin, washer and cotter pin**  
65660 and 65674



## Zinc plated steel

**Clevis with clevis pin** 65664  
**Safety fastener** 65680

**Clevis with clevis pin and circlips** 65666 and 65678



**Clevis with clevis pin, washer and cotter pin**  
65661 and 65675



## Stainless steel

**Clevis with 65652 mating piece and 65684 clevis retention clip**



**Clevis with 65880 rod end and 65684 clevis retention clip**



## Assembly options

### Tensile tests, statistically to failure (break)

Clevis joints axially loaded.

Leaded low carbon steel (AISI 12L14, 1.0718).

### Clevises M6 - M42

### Material

Clevis size	F min (kN)	F max (kN)	F average value (kN)	Avg. force when clevis starts to deform (kN)
6 x 24 M 6	16,0	19,5	17,6	15,3
8 x 32 M 8	33,2	35,6	34,6	29,3
10 x 40 M10	42,0	52,0	47,5	41,3
12 x 48 M12	53,0	68,5	61,1	50,2
14 x 56 M14	60,5	64,5	63,0	48,8
16 x 64 M16	133,5	146,0	140,2	115
20 x 40 M20	194,5	234,0	213,5	176
25 x 50 M25	311,0	336,0	328,0	260
30 x 60 M30	428,0	450,0	440,6	343
36 x 72 M36	566,0	573,0	569,5	300
35 x 72 M36	561,2	567,9	564,6	370
42 x 84 M42	904,6	904,6	904,6	420

**Important note:** values in this table are indicative only and should only be used as a rough guide. The Company cannot foresee the intended applications of their products and we accept no liability for any actions taken by third parties. Customers are advised to use their own safety factors and/or perform their own testing on the clevis joint to ensure it meets requirements for their application.