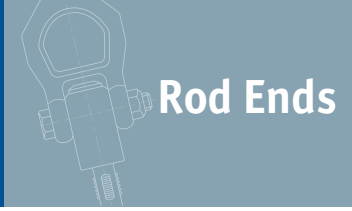


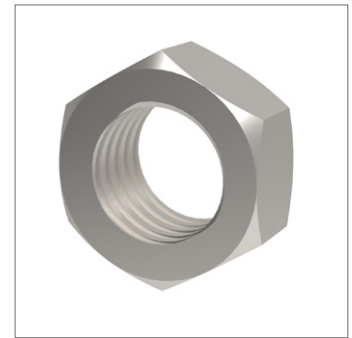
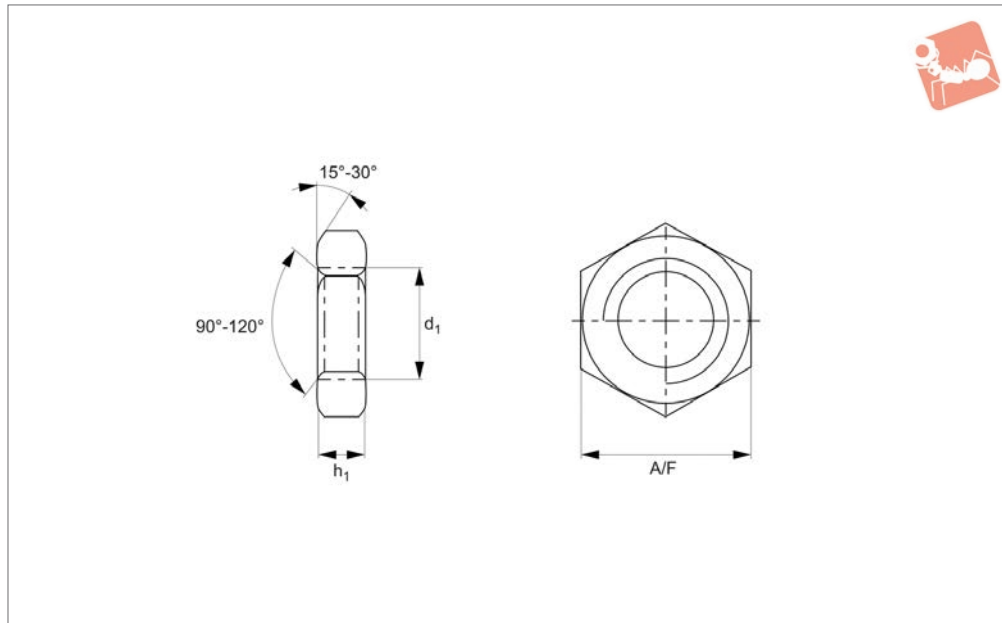


# Lock Nuts Left Hand Thread

Steel, zinc-plated



Rod Ends



**65691.ZP**

ROD ENDS

### Material

Steel (class 4), zinc-plated.

Standard threads are coarse pitch.

Fine threads are indicated by an A & B suffix.

### Technical Notes

To DIN 439. Left hand threads.

Order No.	d <sub>1</sub>	h <sub>1</sub>	A/F	Material
65691.050-ZP	M 5	2.7	8	Steel ZP
65691.060-ZP	M 6	2.9	10	Steel ZP
65691.080-ZP	M 8	3.7	13	Steel ZP
65691.100-ZP	M10	4.7	17	Steel ZP
65691.100-100-ZP	M10x1,0	4.7	17	Steel ZP
65691.100-125-ZP	M10x1,25	4.7	17	Steel ZP
65691.120-ZP	M12	5.7	19	Steel ZP
65691.120-125-ZP	M12x1,25	5.7	19	Steel ZP
65691.120-150-ZP	M12x1,5	5.7	19	Steel ZP
65691.160-ZP	M16	7.42	24	Steel ZP
65691.160-150-ZP	M16x1,5	7.42	24	Steel ZP
65691.200-ZP	M20	9.1	30	Steel ZP
65691.200-150-ZP	M20x1,5	9.1	30	Steel ZP
65691.220-150-ZP	M22x1,5	9.1	32	Steel ZP
65691.240-ZP	M24	10.9	36	Steel ZP
65691.240-200-ZP	M24x2,0	10.9	36	Steel ZP
65691.300-ZP	M30	13.9	46	Steel ZP
65691.300-200-ZP	M30x2,0	13.9	46	Steel ZP