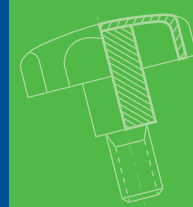


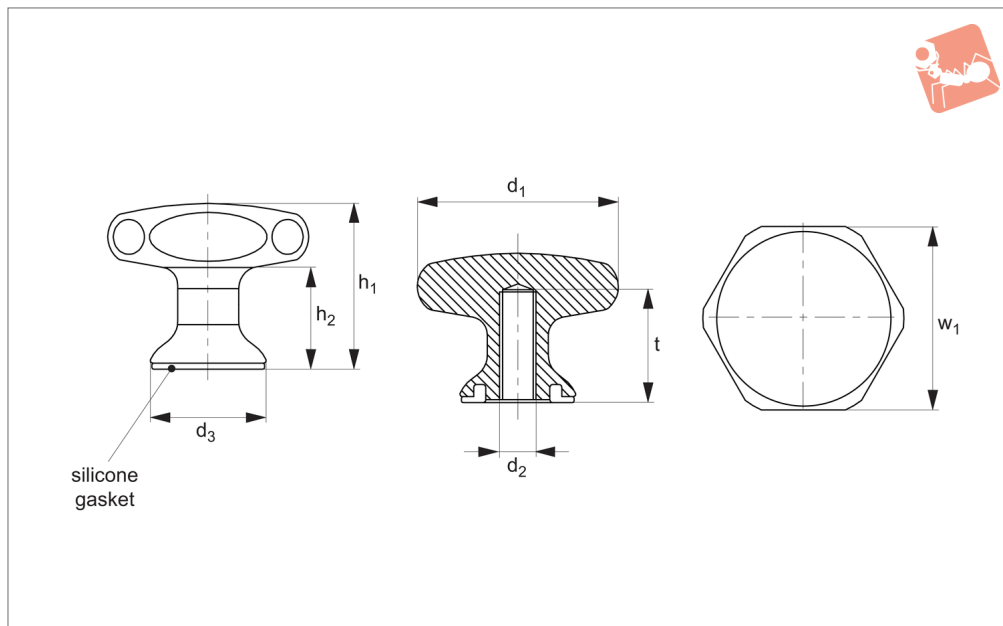


# Star Grips - 3A Standard

hygienic line, stainless steel



Grips



**70190**

GRIPS

**Material**

Stainless steel AISI304  
Blue gasket: silicone

**Tips**

Made to the high „3A“ standard.

This ensures it meets the high standards required for use in food, beverage, pharmaceutical and medical applications. Hygienically designed for effective and easy cleaning, corrosion resistant, non-

toxic. Design precludes contamination by dirt, food particles and organic matter.

Order No.	d <sub>1</sub>	d <sub>2</sub>	d <sub>3</sub>	h <sub>1</sub>	h <sub>2</sub>	t	w <sub>1</sub>
70190.W0027	27	M 5	15	20	13	15	24
70190.W0033	33	M 6	19	24	13	20	30
70190.W0040	40	M 8	25	28	16	20	36
70190.W0050	50	M10	25	30	16	25	46
70190.W0065	65	M12	31	40	24	25	60