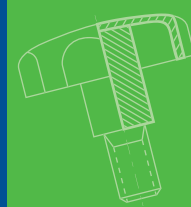
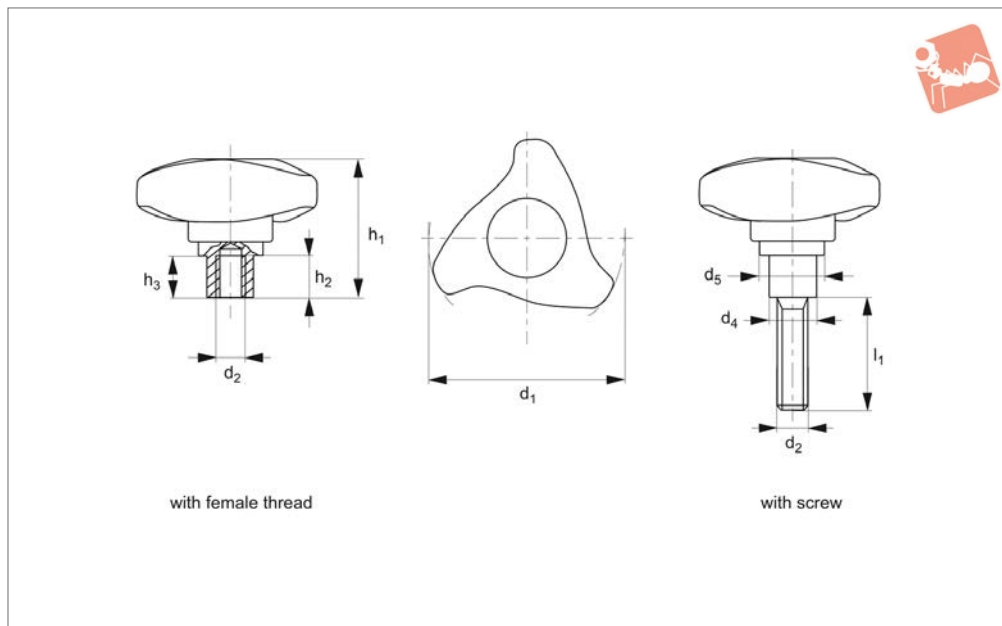




Three-lobed Torque Handles



Grips



72490

GRIPS

Material

Screw: steel, blackened.
 Cap: plastic, light grey.
 Torque mechanism: steel, hardened.
 Inner part: steel, blackened.

mechanism allows a defined torque limitation during tightening.
 Reaching the torque results in an „over-locking“. For releasing the torque is transmitted indefinitely.

Reach: contains SVHC materials > 0,1% w/w.

Technical Notes

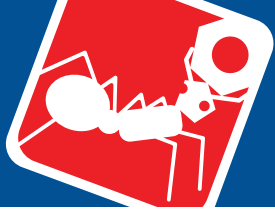
The handle with integrated torque

ROHS compliant.

Order No.	Type	d ₁	d ₂	d ₄	d ₅	h ₁	h ₂	h ₃	l ₁	Tightening torque Nm ±10% max.	Weight g
72490.W0020	With female thread	50	M 6	13.5	23.6	41.6	11	10.7	-	2.0	65
72490.W0021	With female thread	50	M 6	13.5	23.6	41.6	11	10.7	-	3.0	62
72490.W0022	With female thread	50	M 6	13.5	23.6	41.6	11	10.7	-	4.0	63
72490.W0023	With female thread	50	M 6	13.5	23.6	41.6	11	10.7	-	2.0	60
72490.W0024	With female thread	50	M 8	13.5	23.6	41.6	11	10.7	-	3.0	60
72490.W0025	With female thread	50	M 8	13.5	23.6	41.6	11	10.7	-	4.0	64
72490.W0030	With female thread	63	M 8	16.0	28.1	46.6	14	12.9	-	3.2	104
72490.W0031	With female thread	63	M 8	16.0	28.1	46.6	14	12.9	-	4.0	105
72490.W0032	With female thread	63	M 8	16.0	28.1	46.6	14	12.9	-	4.7	107
72490.W0033	With female thread	63	M10	16.0	28.1	46.6	14	12.9	-	3.2	103
72490.W0034	With female thread	63	M10	16.0	28.1	46.6	14	12.9	-	4.0	102
72490.W0035	With female thread	63	M10	16.0	28.1	46.6	14	12.9	-	4.7	103
72490.W0040	With female thread	80	M10	19.0	34.1	56.2	17	16.8	-	4.0	172
72490.W0041	With female thread	80	M10	19.0	34.1	56.2	17	16.8	-	5.5	173
72490.W0042	With female thread	80	M10	19.0	34.1	56.2	17	16.8	-	7.5	174
72490.W0043	With female thread	80	M12	19.0	34.1	56.2	17	16.8	-	4.0	167
72490.W0044	With female thread	80	M12	19.0	34.1	56.2	17	16.8	-	5.5	168
72490.W0045	With female thread	80	M12	19.0	34.1	56.2	17	16.8	-	7.5	171
72490.W0300	With screw	50	M 8	13.5	23.6	41.6	-	10.7	16	2.0	72
72490.W0301	With screw	50	M 8	13.5	23.6	41.6	-	10.7	16	3.0	75
72490.W0302	With screw	50	M 8	13.5	23.6	41.6	-	10.7	16	4.0	76
72490.W0303	With screw	50	M 8	13.5	23.6	41.6	-	10.7	20	2.0	70
72490.W0304	With screw	50	M 8	13.5	23.6	41.6	-	10.7	20	3.0	73
72490.W0305	With screw	50	M 8	13.5	23.6	41.6	-	10.7	20	4.0	71
72490.W0306	With screw	50	M 8	13.5	23.6	41.6	-	10.7	25	2.0	72
72490.W0307	With screw	50	M 8	13.5	23.6	41.6	-	10.7	25	3.0	72
72490.W0308	With screw	50	M 8	13.5	23.6	41.6	-	10.7	25	4.0	73
72490.W0309	With screw	50	M 8	13.5	23.6	41.6	-	10.7	32	2.0	77
72490.W0310	With screw	50	M 8	13.5	23.6	41.6	-	10.7	32	3.0	74



Order No.	Type	d ₁	d ₂	d ₄	d ₅	h ₁	h ₂	h ₃	l ₁	Tightening torque Nm ±10% max.	Weight g
72490.W0311	With screw	50	M 8	13.5	23.6	41.6	–	10.7	32	4.0	75
72490.W0312	With screw	50	M 8	13.5	23.6	41.6	–	10.7	40	2.0	76
72490.W0313	With screw	50	M 8	13.5	23.6	41.6	–	10.7	40	3.0	76
72490.W0314	With screw	50	M 8	13.5	23.6	41.6	–	10.7	40	4.0	77
72490.W0315	With screw	50	M10	13.5	23.6	41.6	–	10.7	20	2.0	73
72490.W0316	With screw	50	M10	13.5	23.6	41.6	–	10.7	20	3.0	73
72490.W0317	With screw	50	M10	13.5	23.6	41.6	–	10.7	20	4.0	74
72490.W0318	With screw	50	M10	13.5	23.6	41.6	–	10.7	25	2.0	76
72490.W0319	With screw	50	M10	13.5	23.6	41.6	–	10.7	25	3.0	76
72490.W0320	With screw	50	M10	13.5	23.6	41.6	–	10.7	25	4.0	77
72490.W0321	With screw	50	M10	13.5	23.6	41.6	–	10.7	32	2.0	80
72490.W0322	With screw	50	M10	13.5	23.6	41.6	–	10.7	32	3.0	80
72490.W0323	With screw	50	M10	13.5	23.6	41.6	–	10.7	32	4.0	81
72490.W0324	With screw	50	M10	13.5	23.6	41.6	–	10.7	40	2.0	82
72490.W0325	With screw	50	M10	13.5	23.6	41.6	–	10.7	40	3.0	82
72490.W0326	With screw	50	M10	13.5	23.6	41.6	–	10.7	40	4.0	83
72490.W0327	With screw	50	M10	13.5	23.6	41.6	–	10.7	50	2.0	87
72490.W0328	With screw	50	M10	13.5	23.6	41.6	–	10.7	50	3.0	87
72490.W0329	With screw	50	M10	13.5	23.6	41.6	–	10.7	50	4.0	88
72490.W0400	With screw	63	M 8	16.0	28.1	46.6	–	12.9	25	3.2	116
72490.W0401	With screw	63	M 8	16.0	28.1	46.6	–	12.9	25	4.0	117
72490.W0402	With screw	63	M 8	16.0	28.1	46.6	–	12.9	25	4.7	118
72490.W0403	With screw	63	M 8	16.0	28.1	46.6	–	12.9	32	3.2	119
72490.W0404	With screw	63	M 8	16.0	28.1	46.6	–	12.9	32	4.0	120
72490.W0405	With screw	63	M 8	16.0	28.1	46.6	–	12.9	32	4.7	121
72490.W0406	With screw	63	M 8	16.0	28.1	46.6	–	12.9	40	3.2	82
72490.W0407	With screw	63	M 8	16.0	28.1	46.6	–	12.9	40	4.0	83
72490.W0408	With screw	63	M 8	16.0	28.1	46.6	–	12.9	40	4.7	83
72490.W0409	With screw	63	M 8	16.0	28.1	46.6	–	12.9	50	3.2	128
72490.W0410	With screw	63	M 8	16.0	28.1	46.6	–	12.9	50	4.0	127
72490.W0411	With screw	63	M 8	16.0	28.1	46.6	–	12.9	50	4.7	128
72490.W0412	With screw	63	M 8	16.0	28.1	46.6	–	12.9	63	3.2	130
72490.W0413	With screw	63	M 8	16.0	28.1	46.6	–	12.9	63	4.0	131
72490.W0414	With screw	63	M 8	16.0	28.1	46.6	–	12.9	63	4.7	132
72490.W0415	With screw	63	M10	16.0	28.1	46.6	–	12.9	25	3.2	122
72490.W0416	With screw	63	M10	16.0	28.1	46.6	–	12.9	25	4.0	123
72490.W0417	With screw	63	M10	16.0	28.1	46.6	–	12.9	25	4.7	124
72490.W0418	With screw	63	M10	16.0	28.1	46.6	–	12.9	32	3.2	125
72490.W0419	With screw	63	M10	16.0	28.1	46.6	–	12.9	32	4.0	126
72490.W0420	With screw	63	M10	16.0	28.1	46.6	–	12.9	32	4.7	127
72490.W0421	With screw	63	M10	16.0	28.1	46.6	–	12.9	40	3.2	129
72490.W0422	With screw	63	M10	16.0	28.1	46.6	–	12.9	40	4.0	130
72490.W0423	With screw	63	M10	16.0	28.1	46.6	–	12.9	40	4.7	131
72490.W0424	With screw	63	M10	16.0	28.1	46.6	–	12.9	50	3.2	134
72490.W0425	With screw	63	M10	16.0	28.1	46.6	–	12.9	50	4.0	135
72490.W0426	With screw	63	M10	16.0	28.1	46.6	–	12.9	50	4.7	136
72490.W0427	With screw	63	M10	16.0	28.1	46.6	–	12.9	63	3.2	140
72490.W0428	With screw	63	M10	16.0	28.1	46.6	–	12.9	63	4.0	141
72490.W0429	With screw	63	M10	16.0	28.1	46.6	–	12.9	63	4.7	142
72490.W0500	With screw	80	M10	19.0	34.1	56.2	–	16.8	25	4.0	194
72490.W0501	With screw	80	M10	19.0	34.1	56.2	–	16.8	25	5.5	195
72490.W0502	With screw	80	M10	19.0	34.1	56.2	–	16.8	25	7.5	196
72490.W0503	With screw	80	M10	19.0	34.1	56.2	–	16.8	32	4.0	198
72490.W0504	With screw	80	M10	19.0	34.1	56.2	–	16.8	32	5.5	199
72490.W0505	With screw	80	M10	19.0	34.1	56.2	–	16.8	32	7.5	200
72490.W0506	With screw	80	M10	19.0	34.1	56.2	–	16.8	40	4.0	202
72490.W0507	With screw	80	M10	19.0	34.1	56.2	–	16.8	40	5.5	203
72490.W0508	With screw	80	M10	19.0	34.1	56.2	–	16.8	40	7.5	204
72490.W0509	With screw	80	M10	19.0	34.1	56.2	–	16.8	50	4.0	208
72490.W0510	With screw	80	M10	19.0	34.1	56.2	–	16.8	50	5.5	209
72490.W0511	With screw	80	M10	19.0	34.1	56.2	–	16.8	50	7.5	210
72490.W0512	With screw	80	M10	19.0	34.1	56.2	–	16.8	63	4.0	213
72490.W0513	With screw	80	M10	19.0	34.1	56.2	–	16.8	63	5.5	214
72490.W0514	With screw	80	M10	19.0	34.1	56.2	–	16.8	63	7.5	215
72490.W0515	With screw	80	M12	19.0	34.1	56.2	–	16.8	25	4.0	201
72490.W0516	With screw	80	M12	19.0	34.1	56.2	–	16.8	25	5.5	202
72490.W0517	With screw	80	M12	19.0	34.1	56.2	–	16.8	25	7.5	203



Three-lobed Torque Handles



Grips

Order No.	Type	d ₁	d ₂	d ₄	d ₅	h ₁	h ₂	h ₃	l ₁	Tightening torque Nm ±10% max.	Weight g
72490.W0518	With screw	80	M12	19.0	34.1	56.2	–	16.8	32	4.0	205
72490.W0519	With screw	80	M12	19.0	34.1	56.2	–	16.8	32	5.5	206
72490.W0520	With screw	80	M12	19.0	34.1	56.2	–	16.8	32	7.5	207
72490.W0521	With screw	80	M12	19.0	34.1	56.2	–	16.8	40	4.0	210
72490.W0522	With screw	80	M12	19.0	34.1	56.2	–	16.8	40	5.5	211
72490.W0523	With screw	80	M12	19.0	34.1	56.2	–	16.8	40	7.5	212
72490.W0524	With screw	80	M12	19.0	34.1	56.2	–	16.8	50	4.0	218
72490.W0525	With screw	80	M12	19.0	34.1	56.2	–	16.8	50	5.5	219
72490.W0526	With screw	80	M12	19.0	34.1	56.2	–	16.8	50	7.5	220
72490.W0527	With screw	80	M12	19.0	34.1	56.2	–	16.8	63	4.0	227
72490.W0528	With screw	80	M12	19.0	34.1	56.2	–	16.8	63	5.5	228
72490.W0529	With screw	80	M12	19.0	34.1	56.2	–	16.8	63	7.5	229