

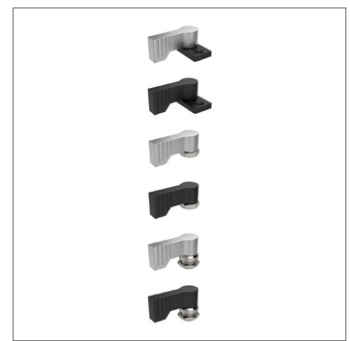
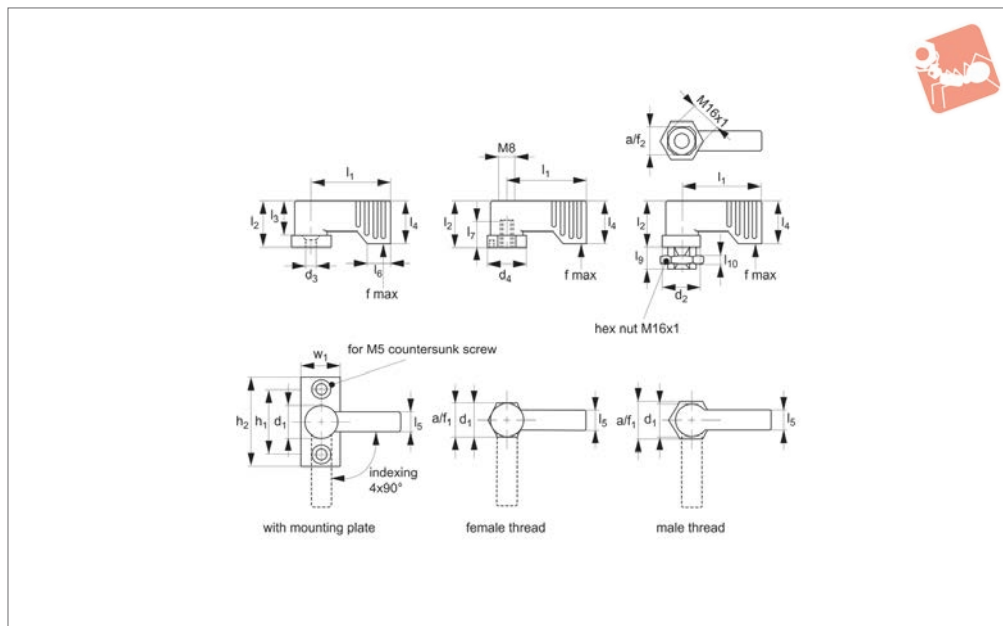


# Retaining Catches

wing grip, one-sided



# Retaining Catches



**73906**

RETAINING CATCHES

### Material

Lever: die-cast Zinc, plastic coated silver (RAL9006) or black (RAL 9005) matte finish.

Flange: die-cast Zinc, plastic coated, black.

as a support during transports etc. The retaining catch indexes at 4x90°.

### Technical Notes

To be used for locking doors, drawers and

Order No.	Colour	Type	d <sub>1</sub>	d <sub>2</sub>	d <sub>3</sub>	d <sub>4</sub> ≈	d <sub>5</sub>	d <sub>6</sub> tol. H11	l <sub>1</sub>	l <sub>2</sub> ≈	l <sub>3</sub>	l <sub>4</sub> min.	Weight g
73906.W0201	Silver	Mounting Plate	17	-	5.3	-	-	-	40	22	16.5	21.5	20
73906.W0202	Black	Mounting Plate	17	-	5.3	-	-	-	40	22	16.5	21.5	20
73906.W0232	Black	Female Thread	17	-	-	20	7	2	40	22	16.5	21.5	30
73906.W0262	Black	Male Thread	17	19	-	-	-	-	40	22	16.5	21.5	50
73906.W0231	Silver	Female Thread	17	-	-	20	7	2	40	22	16.5	21.5	30
73906.W0261	Silver	Male Thread	17	19	-	-	-	-	40	22	16.5	21.5	50

Order No.	l <sub>5</sub>	l <sub>6</sub>	l <sub>7</sub>	l <sub>8</sub>	l <sub>9</sub>	l <sub>10</sub>	h <sub>1</sub>	h <sub>2</sub>	w <sub>1</sub>	A/F <sub>1</sub>	A/F <sub>2</sub>	Load f max. N
73906.W0201	10	11	-	-	-	-	32	45	20	-	-	450
73906.W0202	10	11	-	-	-	-	32	45	20	-	-	450
73906.W0232	10	11	11	4	-	-	-	-	-	17	-	450
73906.W0262	10	11	-	-	9	3	-	-	-	19	14	450
73906.W0231	10	11	11	4	-	-	-	-	-	17	-	450
73906.W0261	10	11	-	-	9	3	-	-	-	19	14	450