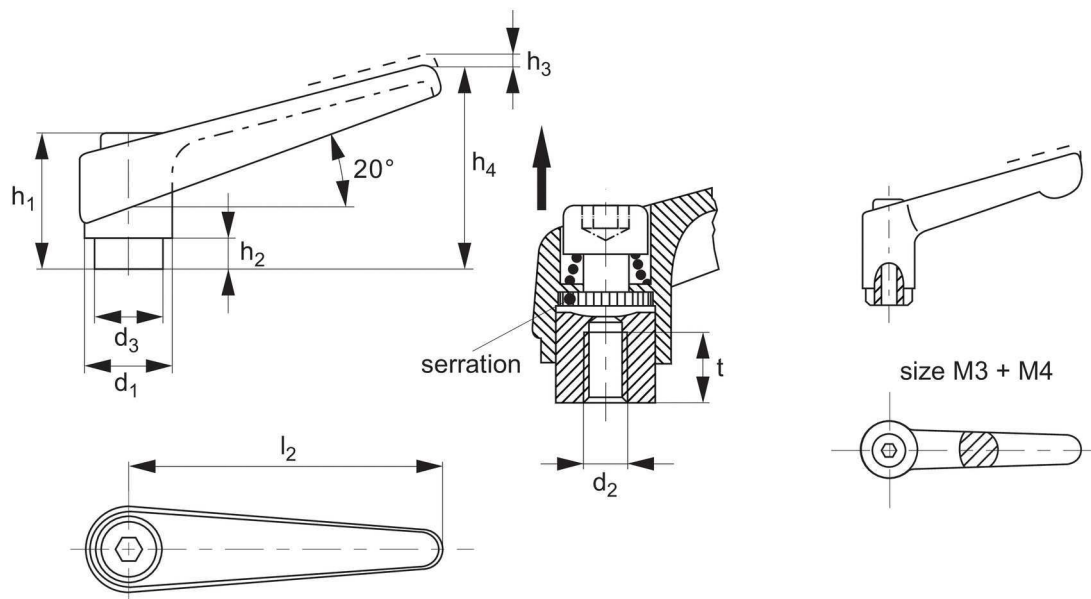


Adjustable Clamping Levers

threaded bore



74410



Order No. Orange	Order No. Silver	Finish	d ₁	d ₂	d ₃	h ₁	h ₂	h ₃	h ₄	l ₂	t ≧	g
74410.W0032	74410.W0034	Female	13	M 3	10,0	24,5	4,0	3,5	30,5	30	7	25
74410.W0036	74410.W0038	Female	13	M 4	10,0	24,5	4,0	3,5	30,5	30	9	25
74410.W0111	74410.W0113	Female	14	M 5	10,0	24,5	4,0	3,0	35,0	45	8	33
74410.W0121	74410.W0123	Female	14	M 6	10,0	24,5	4,0	3,0	35,0	45	8	33
74410.W0311	74410.W0313	Female	18	M 6	13,5	31,0	6,5	3,0	45,0	62	10	67
74410.W0321	74410.W0323	Female	18	M 8	13,5	31,0	6,5	3,0	45,0	62	10	67
74410.W0411	74410.W0413	Female	22	M 8	16,0	36,0	8,0	3,5	52,0	74	14	112
74410.W0421	74410.W0423	Female	22	M10	16,0	36,0	8,0	3,5	52,0	74	14	109
74410.W0511	74410.W0513	Female	25	M10	19,0	43,0	11,0	4,0	63,0	89	17	176
74410.W0521	74410.W0523	Female	25	M12	19,0	43,0	11,0	4,0	63,0	89	17	171
74410.W0611	74410.W0613	Female	30	M12	23,0	50,5	12,0	5,0	76,0	108	22	286
74410.W0621	74410.W0623	Female	30	M16	23,0	50,5	12,0	5,0	76,0	108	22	269

Material

Handle: die-cast zinc.

- Orange RAL 2004

- Black RAL 9005

- Silver RAL 9006

Inner parts: steel, quality 5.8, blackened.

Threaded part: steel, quality 5, blackened.

Technical Notes

By lifting the lever, the serrations are disengaged. The handle can be positioned by the serrations, and the threaded insert can be exchanged. Upon releasing the handle, the serrations are automatically re-engaged.