

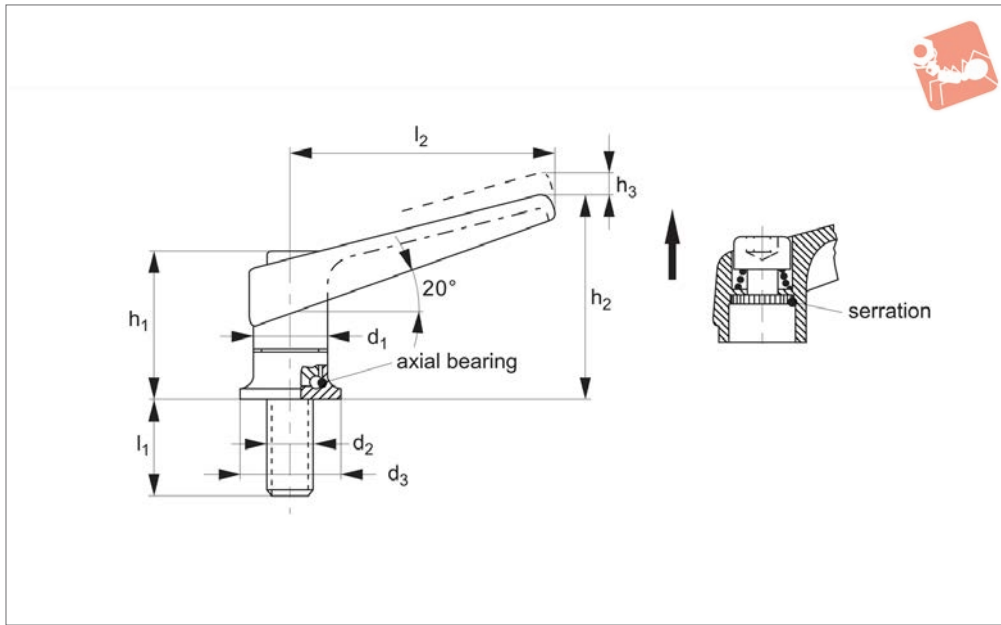


Adjustable Clamping Levers

with axial bearing, from stainless steel, with screw



Clamping Levers



74482

CLAMPING LEVERS

Material

Lever: zinc die-cast, orange, similar to RAL 2004. Zinc die-cast, black, similar to RAL 9005.

Screw: stainless steel.

Inner parts: stainless steel.

Threaded part: stainless steel, hardened.

Technical Notes

Lifting the lever disengages the serrations

and the lever can be positioned. On releasing the lever the serrations are automatically re-engaged.

Tips

Benefits of axial bearing:

- clamping force is 100% greater than when using standard levers (see graph).
- smaller clamping levers can be used due to the improved clamping force.

- considerably less force loss due to setting.
- no releasing due to vibration.
- no damage to clamped parts, due to axial action.

Order No.	Colour	d ₁	d ₂	d ₃	h ₁	h ₂	h ₃	l ₁	l ₂	Weight g
74482.W1030	Orange	18	M 6	24	34.5	50	3.0	20	62	97
74482.W1032	Black	18	M 6	24	34.5	50	3.0	20	62	97
74482.W1050	Orange	18	M 6	24	34.5	50	3.0	27	62	98
74482.W1052	Black	18	M 6	24	34.5	50	3.0	27	62	98
74482.W1130	Orange	22	M 8	25	39.5	56	3.5	21	74	151
74482.W1132	Black	22	M 8	25	39.5	56	3.5	21	74	151
74482.W1150	Orange	22	M 8	25	39.5	56	3.5	36	74	157
74482.W1152	Black	22	M 8	25	39.5	56	3.5	36	74	157
74482.W1230	Orange	25	M10	30	46.5	66	4.0	29	89	232
74482.W1232	Black	25	M10	30	46.5	66	4.0	29	89	232
74482.W1250	Orange	25	M10	30	46.5	66	4.0	47	89	242
74482.W1252	Black	25	M10	30	46.5	66	4.0	47	89	242
74482.W1330	Orange	30	M12	35	56.5	82	5.0	34	108	412
74482.W1332	Black	30	M12	35	56.5	82	5.0	34	108	412
74482.W1346	Orange	30	M12	35	56.5	82	5.0	50	108	420
74482.W1348	Black	30	M12	35	56.5	82	5.0	50	108	420
74482.W1350	Orange	30	M12	35	56.5	82	5.0	57	108	426
74482.W1352	Black	30	M12	35	56.5	82	5.0	57	108	426
74482.W1364	Orange	30	M12	35	56.5	82	5.0	65	108	431
74482.W1366	Black	30	M12	35	56.5	82	5.0	65	108	431
74482.W1384	Orange	30	M12	35	56.5	82	5.0	85	108	449
74482.W1386	Black	30	M12	35	56.5	82	5.0	85	108	449

